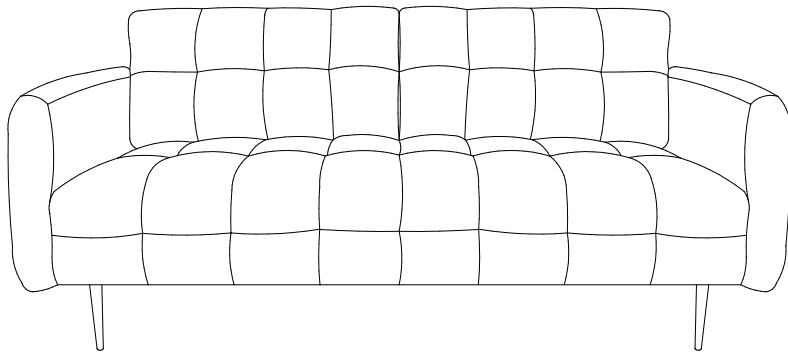


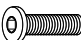


Thank you for purchasing the **MODWAY SOFA**

Before you start, here are some helpful advice:

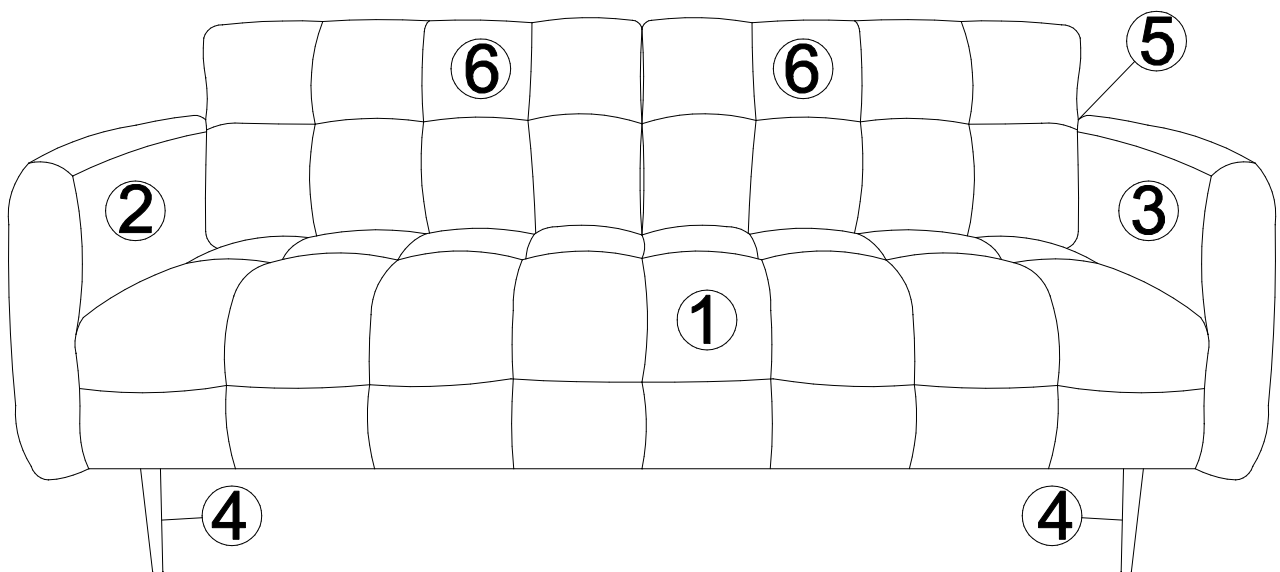
1. We suggest you spend a short time reading through this leaflet and then follow the simple step-by-step instructions.
2. Owing to the size and weight of the sofa, we recommend that it is assembled by two adults, on a carpeted or padded area, in the room that it is intended for. Approximate assembly time: 30 minutes.
3. Please do not use any tools other than those provided or recommended in these instructions.
4. Please do not throw away any of the packaging or the instruction until you have checked all the components and hardware and the furniture is fully assembled. Please ensure that the packaging is disposed of in a safe and environmentally friendly way.
5. Assemble all components loosely until advised to tighten. Depending on use, it may be necessary to tighten the components from time to time, so please save the tools that have been provided.
6. Please keep all pieces out of reach of children.



**Hardware:**

- A.  Bolt M8x30mm x8
- B.  Flat Washer M8 x8
- C.  Allen Wrench x1

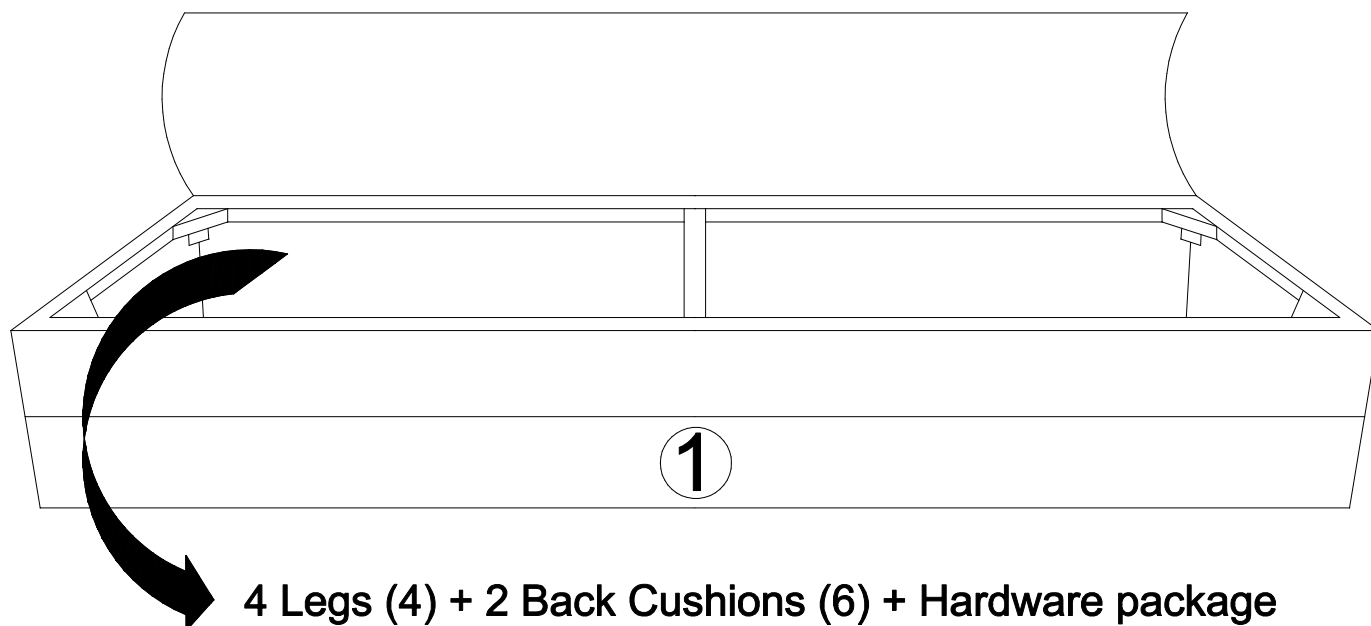
**Components:**



- |              |    |              |    |                 |    |
|--------------|----|--------------|----|-----------------|----|
| 1. Sofa Seat | x1 | 2. Left Arm  | x1 | 3. Right Arm    | x1 |
| 4. Leg       | x4 | 5. Sofa Back | x1 | 6. Back Cushion | x2 |

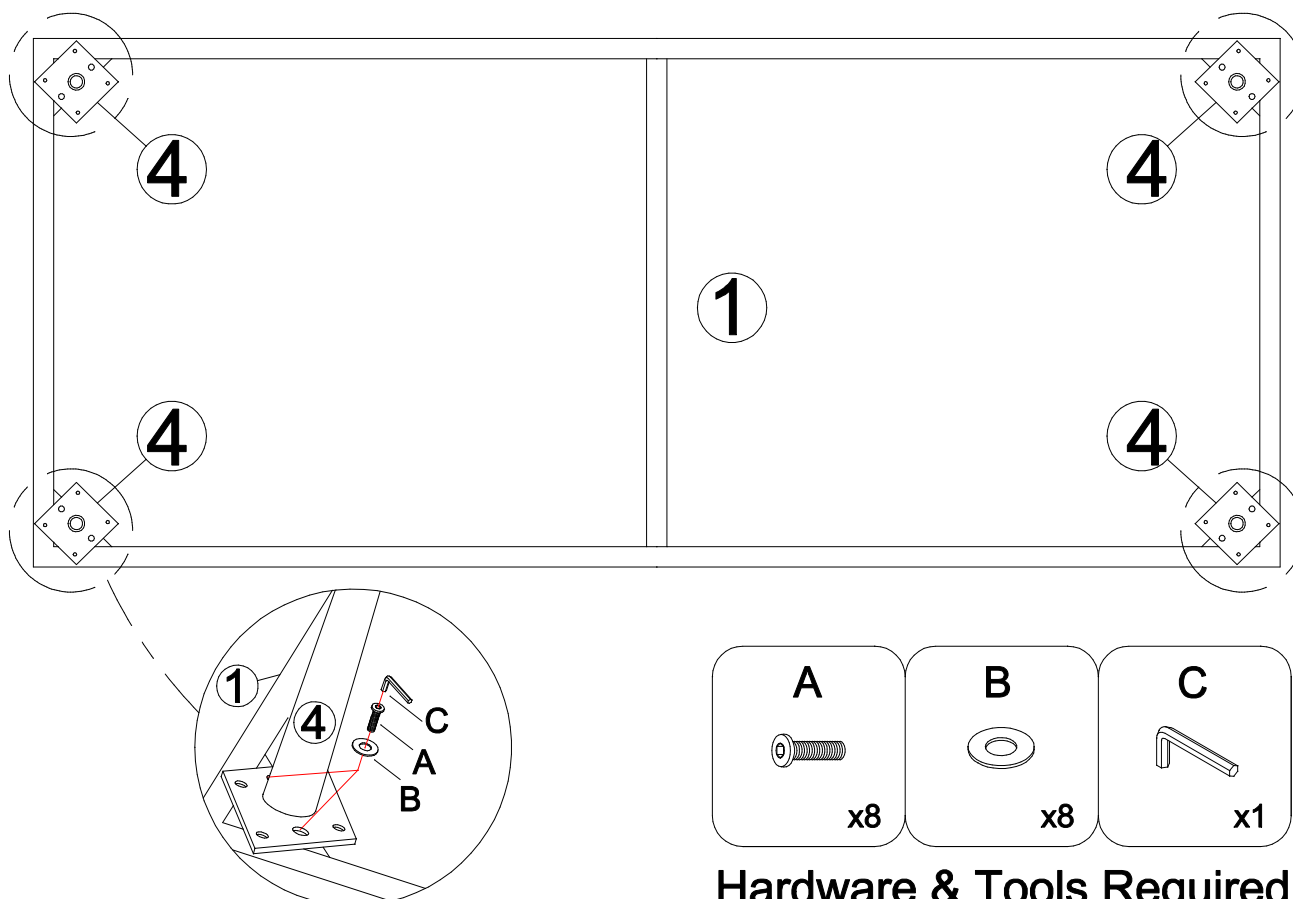
**STEP 1:**

1. Please put **Sofa Seat (1)** upside down on a carpeted or padded surface.
2. Open the Zipper strip at the bottom of the **Sofa Seat (1)** and take out 4 pieces of **Legs (4)** and 2 piece of **Back Cushions (6)** and hardware bag.



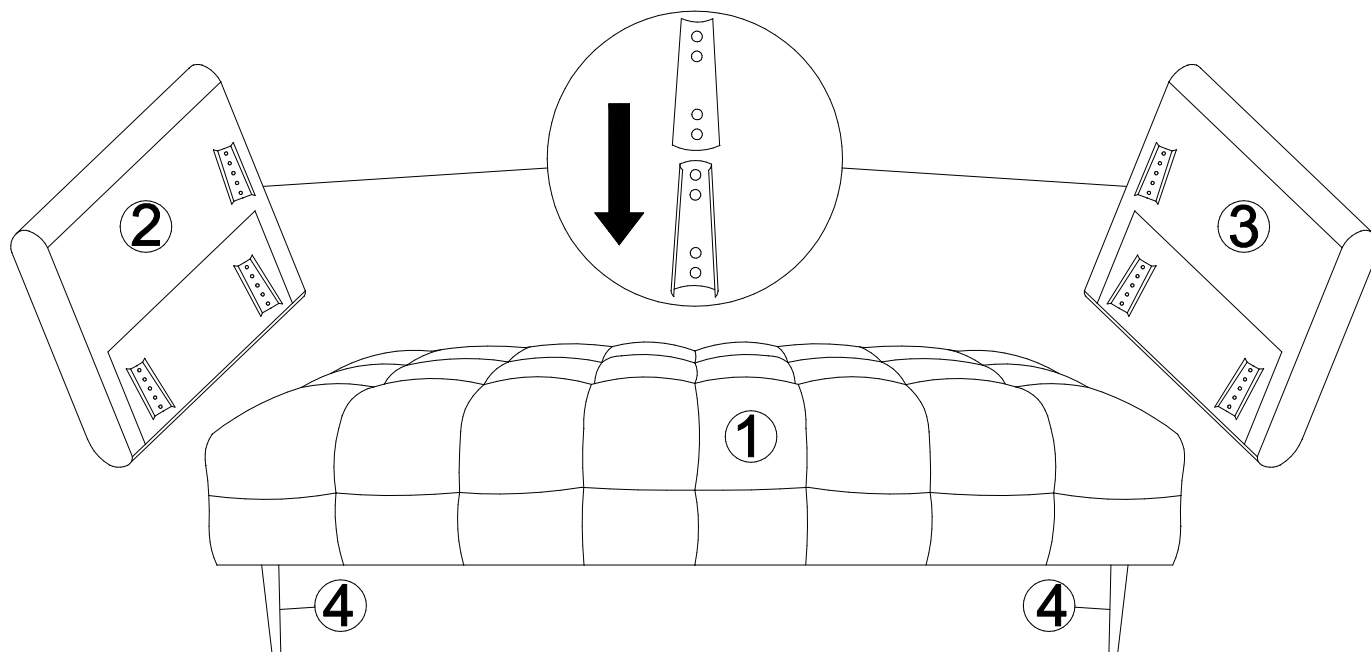
**STEP 2:**

1. Attach 4 pieces of **Legs (4)** to the **Sofa Seat (1)** by using 8 pieces of **Bolts (A)** and 8 pieces of **Flat Washers (B)** as shown.
3. Use **Allen Wrench (C)** to tighten all **Bolts (A)** clockwise until secure.



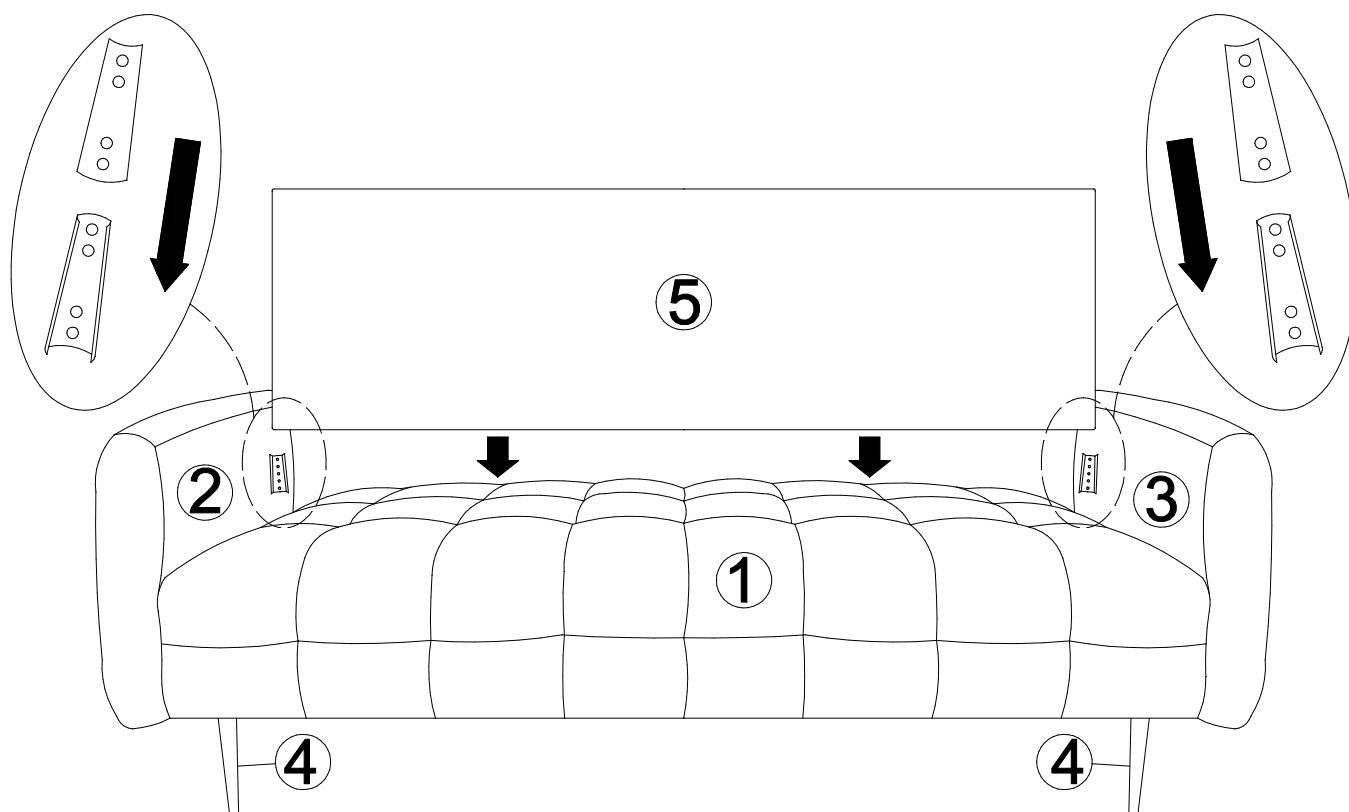
**STEP 3:**

1. Please carefully **turn over the Sofa Seat (1)**.
2. Insert **Left Arm (2)** and **Right Arm (3)** to **Sofa Seat (1)** by using the pre-installed Clips on **Sofa Seat (1)**, **Left Arm (2)** and **Right Arm (3)** to lock each other as shown.



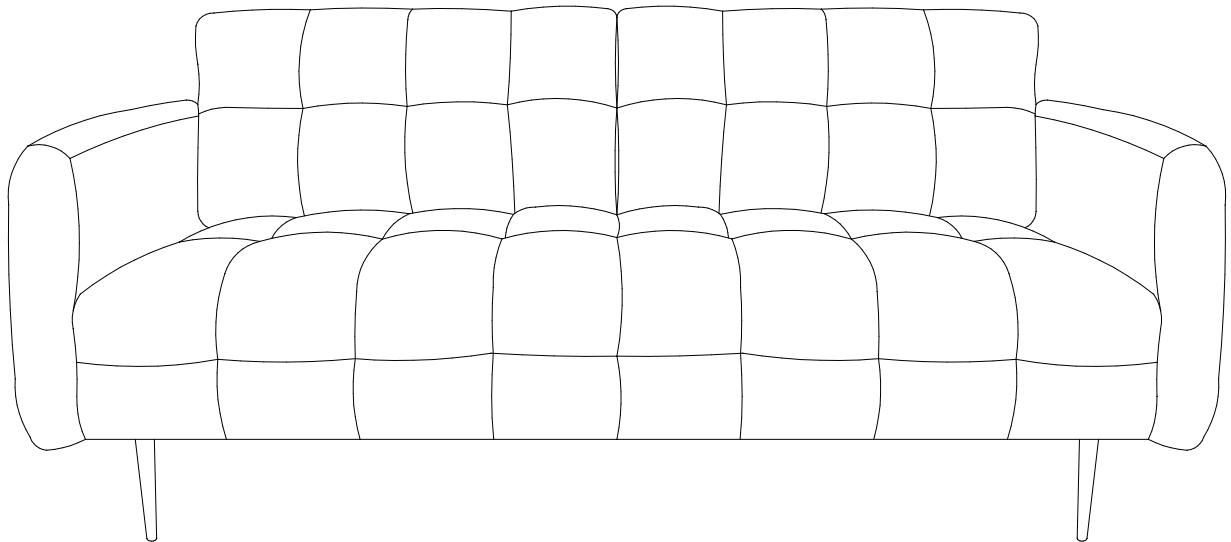
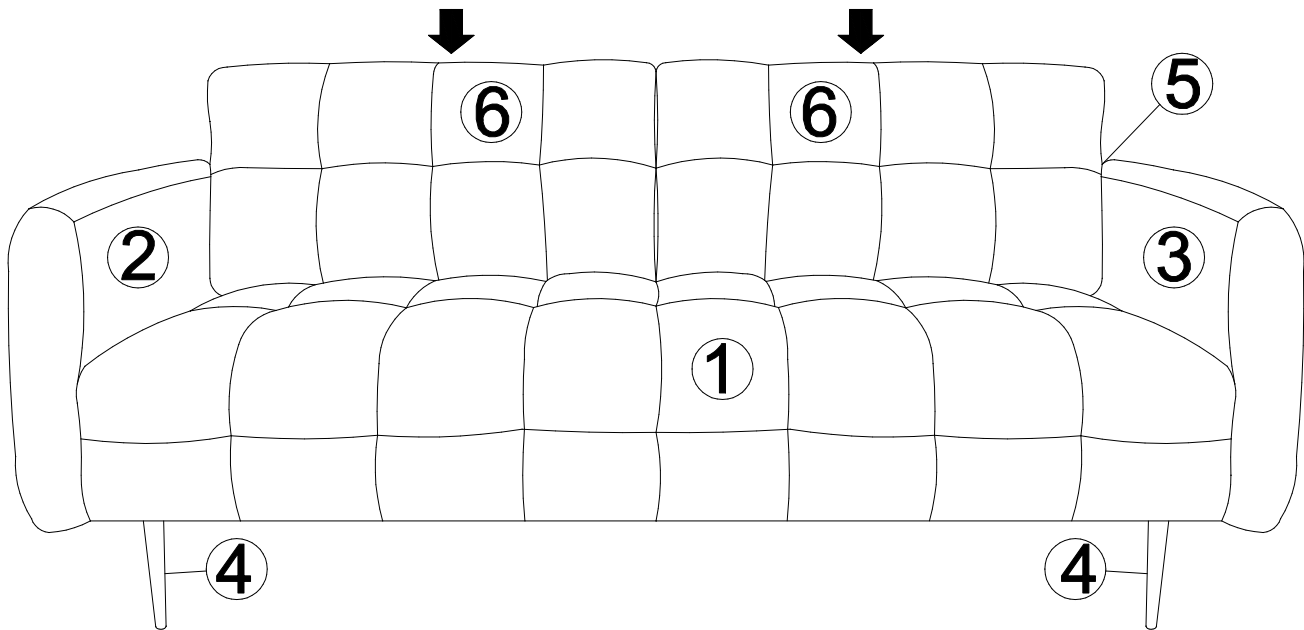
**STEP 4:**

- Insert **Sofa Back (5)** to **Left Arm (2)** and **Right Arm (3)** by using the pre-installed Clips on **Left Arm (2)**, **Right Arm (3)** and **Sofa Back (5)** to lock each other as shown.



**STEP 5**

Carefully put 2 pieces of **Back Cushion (6)** to the assembled **Sofa Seat (1)**, **Left Arm (2)**, **Right Arm (3)** and **Sofa Back (5)** as shown.



Assembly is complete. Your sofa is ready to enjoy now !