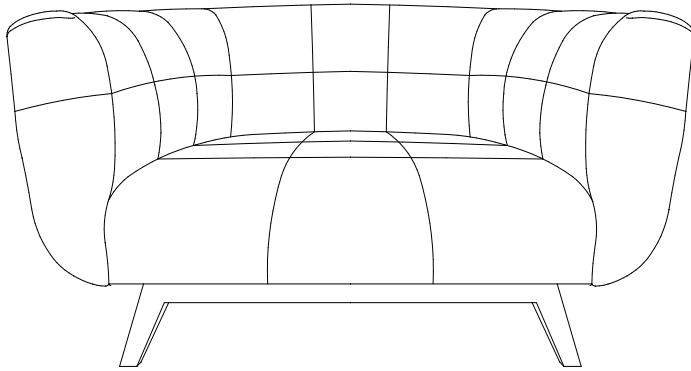



Thank you for purchasing the **MDOWAY ARMCHAIR**.


Before you start, here are some helpful advice:

1. We suggest you spend a short time reading through this leaflet and then follow the simple step-by-step instructions.
2. Owing to the size and weight of the armchair, we recommend that it is assembled by two adults, on a carpeted or padded area, in the room that it is intended for. Approximate assembly time: 30 minutes.
3. Please do not use any tools other than those provided or recommended in these instructions.
4. Please do not throw away any of the packaging or the instruction until you have checked all the components and hardware and the furniture is fully assembled. Please ensure that the packaging is disposed of in a safe and environmentally friendly way.
5. Assemble all components loosely until advised to tighten. Depending on use, it may be necessary to tighten the components from time to time, so please save the tools that have been provided.
6. Please keep all pieces out of reach of children.



Hardware:

A.  Bolt M8x25mm x12

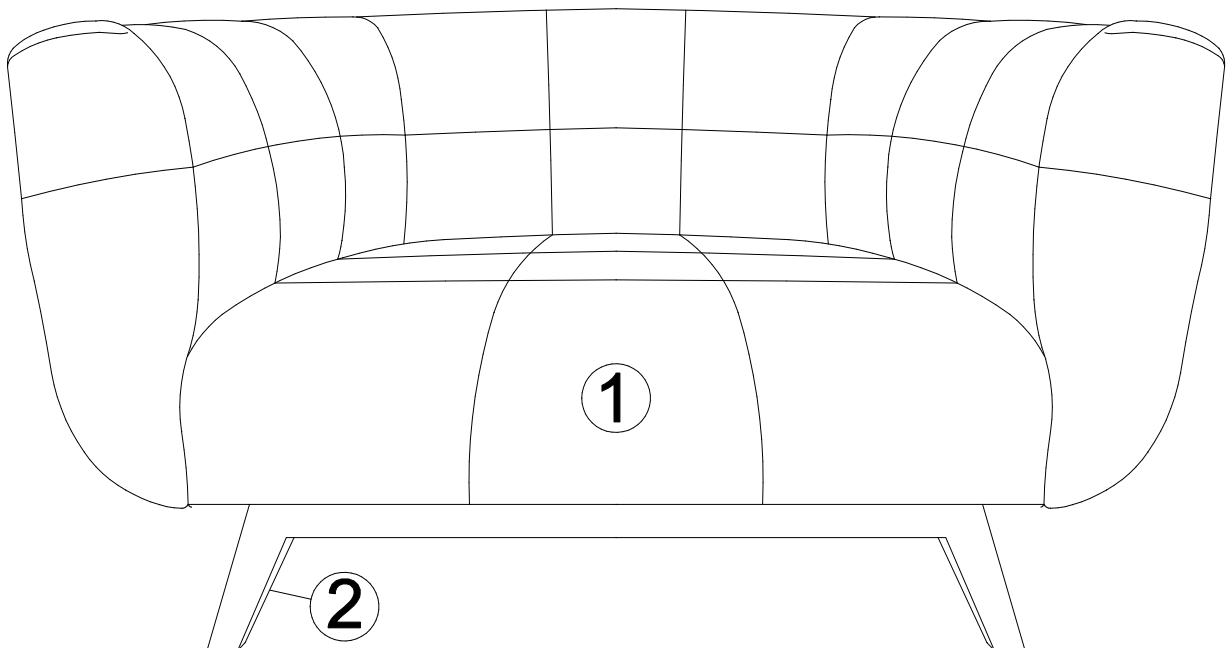
B.  Screw x4

C.  Allen Wrench x1

D.  Screw driver x1

*** Not include hardware package**

Components:

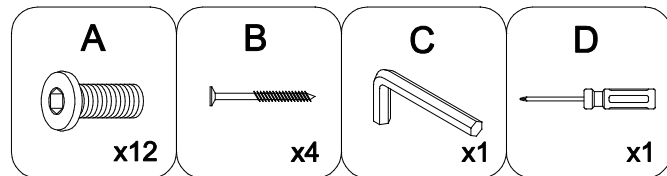
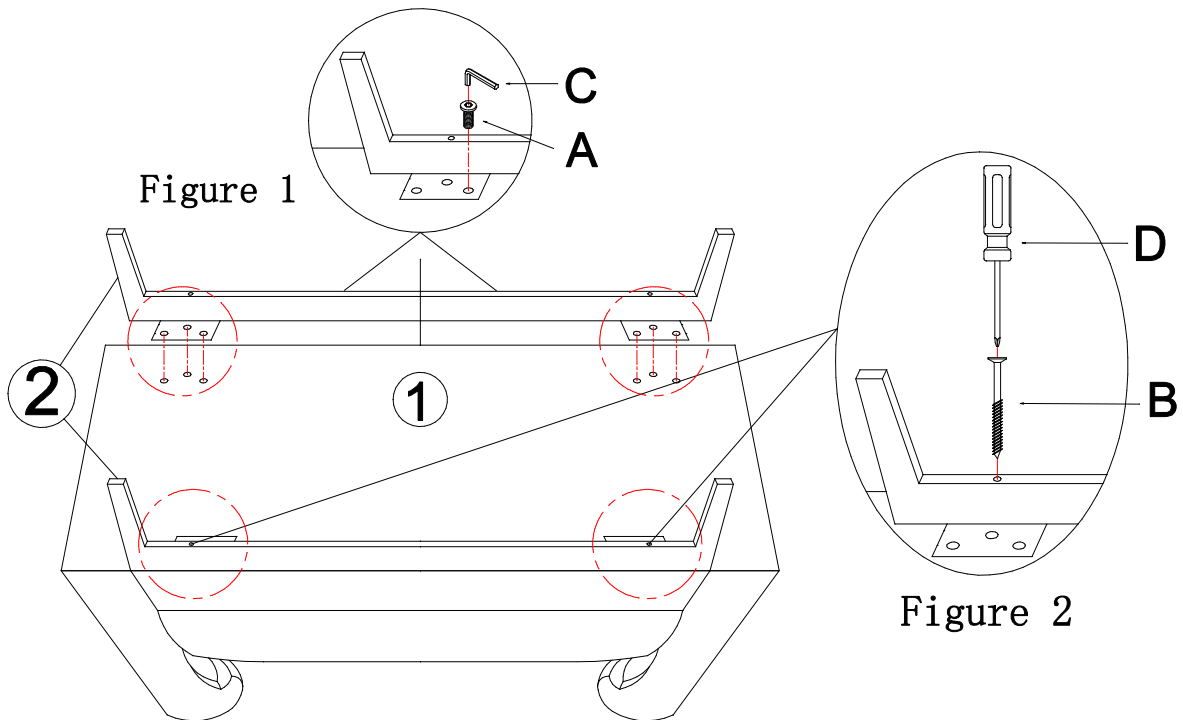


1. Armchair Body x1

2. Leg x2

STEP 1:

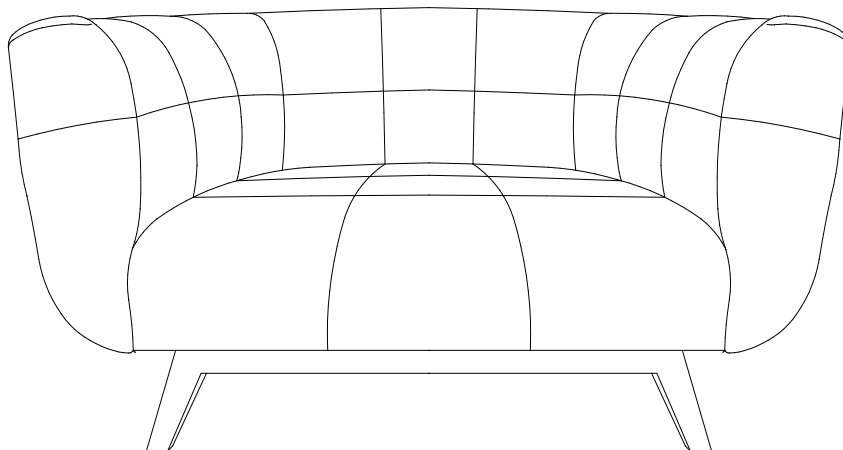
1. Please put **Armchair Body (1)** on a carpeted or padded surface.
2. Attach 2 pieces of **Legs (2)** to the bottom of **Armchair Body (1)** by using 12 pieces of **Bolts (A)**. Tighten **Bolts (A)** by using **Allen Wrench (C)** clockwise fully as shown in **Figure 1**.
3. Insert 4 pieces of **Screws (B)** into the holes in **Legs (2)**, tighten **Screws (B)** by using **Screw Driver (D)** clockwise fully as shown in **Figure 2**.



Hardware & Tools Required

STEP 3:

Carefully turn over the assembled **Armchair Body (1)** and **Legs (2)** by two adults.



Assembly is complete. Your armchair is ready to enjoy now!