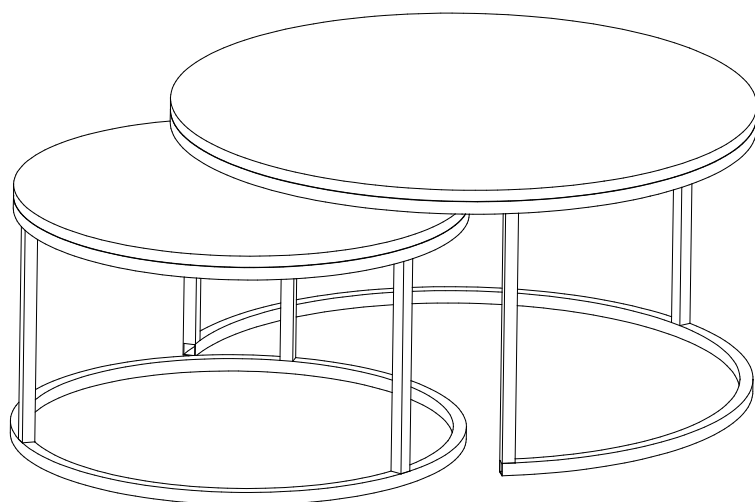


Thank you for purchasing the **MODWAY COFFEE TABLE**.

Before you start, here are some helpful advice:

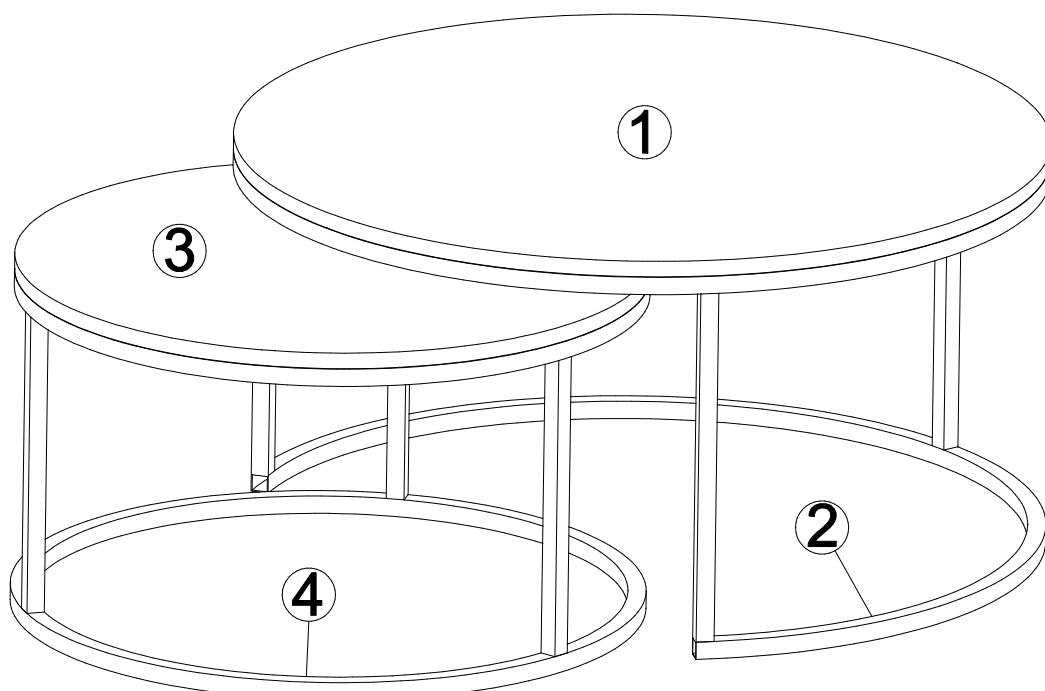
1. We suggest you spend a short time reading through this leaflet and then follow the simple step-by-step instructions.
2. Owing to the size and weight of the Coffee Table, we recommend that it is assembled by two adults, on a carpeted or padded area, in the room that it is intended for. Approximate assembly time: 30 minutes.
3. Please do not use any tools other than those provided or recommended in these instructions.
4. Please do not throw away any of the packaging or the instruction until you have checked all the components and hardware and the furniture is fully assembled. Please ensure that the packaging is disposed of in a safe and environmentally friendly way.
5. Assemble all components loosely until advised to tighten. Depending on use, it may be necessary to tighten the components from time to time, so please save the tools that have been provided.
6. Please keep all the pieces out of reach of children.



### Hardware:

- |    |  |               |    |
|----|--|---------------|----|
| A. |  | Bolt M6x18mm  | x8 |
| B. |  | Spring Washer | x8 |
| C. |  | Flat Washer   | x8 |
| D. |  | Allen Wrench  | x1 |

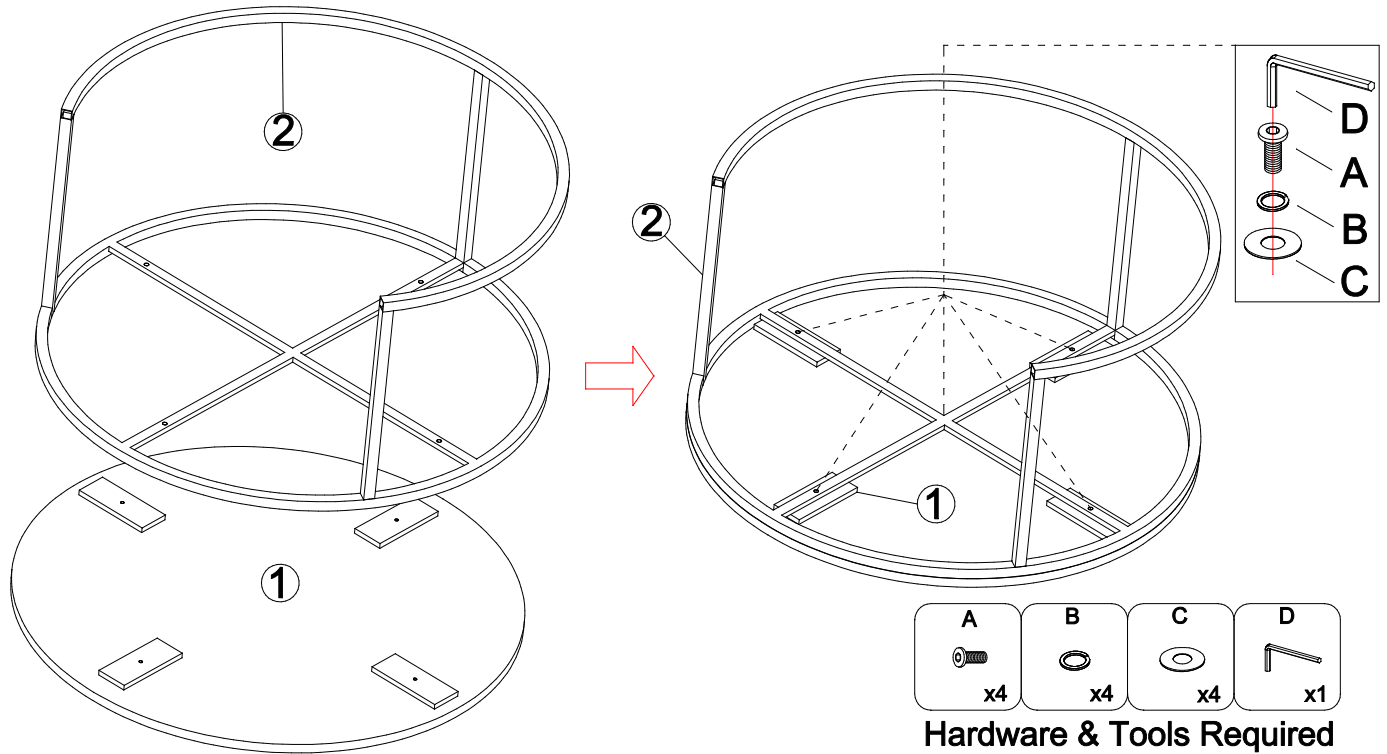
### Components:



- |            |    |             |    |              |    |               |    |
|------------|----|-------------|----|--------------|----|---------------|----|
| 1. Big Top | x1 | 2. Big Base | x1 | 3. Small Top | x1 | 4. Small Base | x1 |
|------------|----|-------------|----|--------------|----|---------------|----|

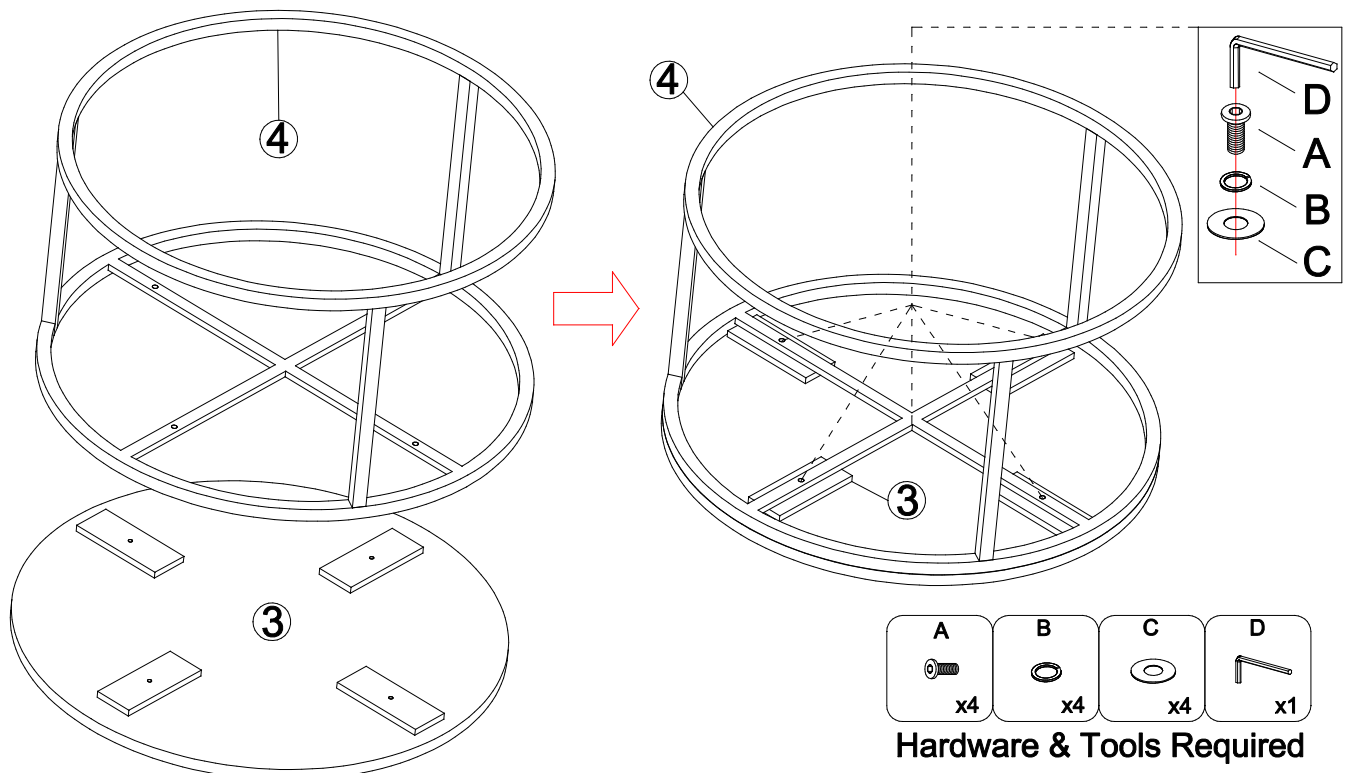
## STEP 1:

1. Please put **Big Top (1)** upside down on a carpeted or padded surface.
2. Attach **Big Base (2)** to **Big Top (1)** by using 4 pieces of **Bolts (A)** with 4 pieces of **Spring Washers (B)** and 4 pieces of **Flat Washers (C)** As shown.
3. Use **Allen Wrench (D)** to tighten all **Bolts (A)** clockwise as shown.



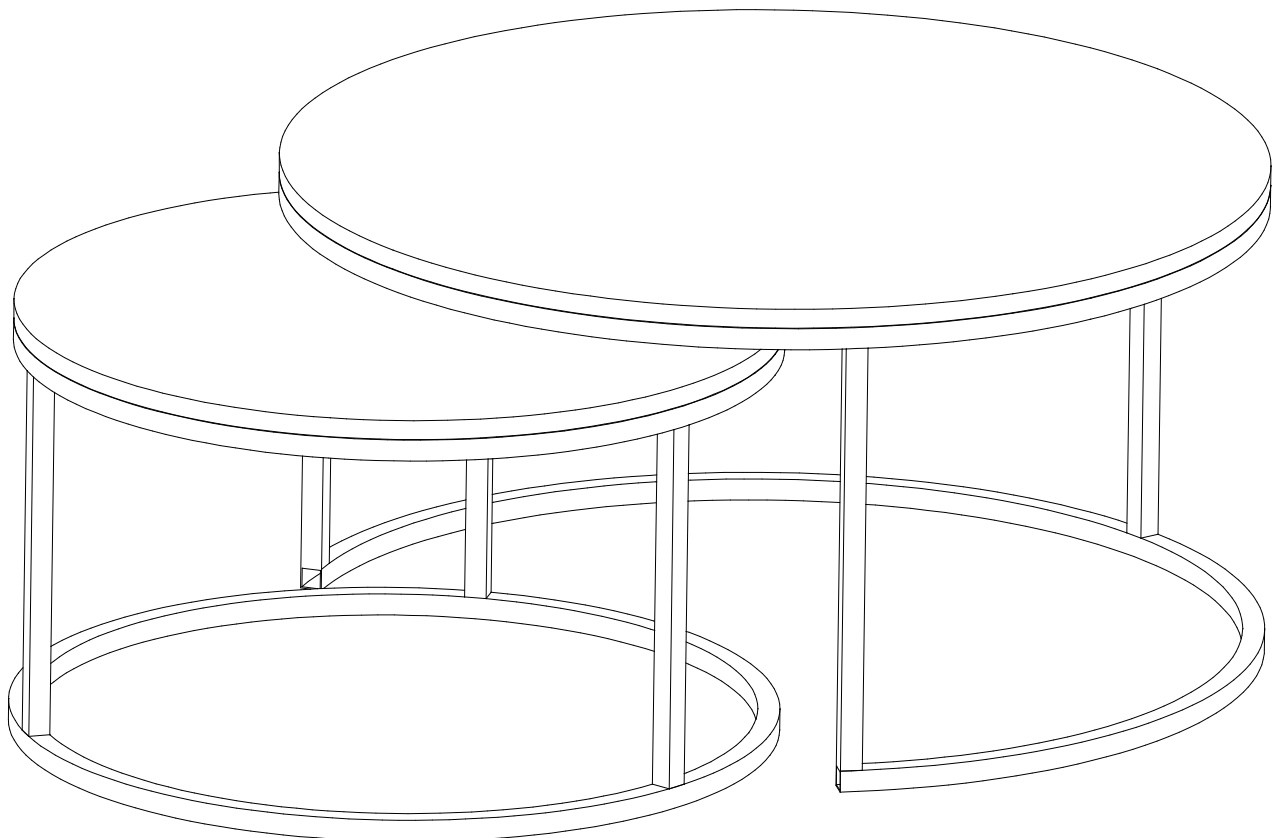
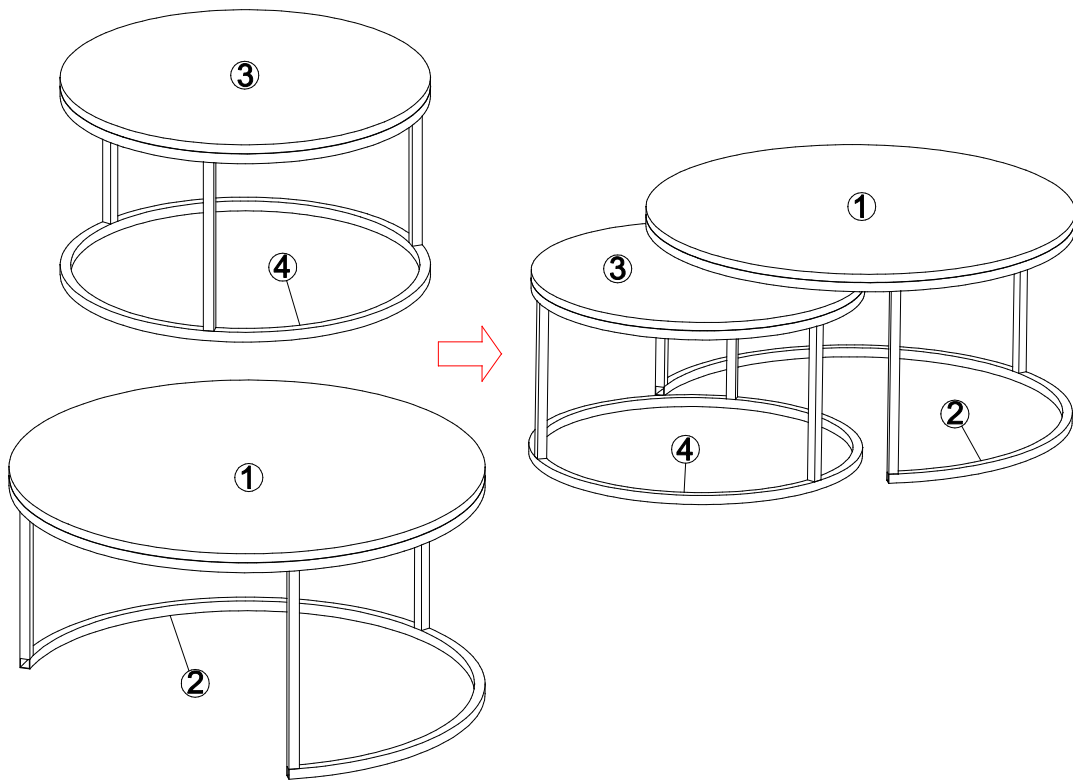
## STEP 2:

Repeat the same **Step 1** to assemble the **Small Top (3)** and **Small Base (4)** as shown.



## STEP 3:

1. Carefully turn over the assembled big table and small table.
2. Insert the small table into the large table as shown.



Assembly is complete. Your Coffee Table is ready to enjoy now!