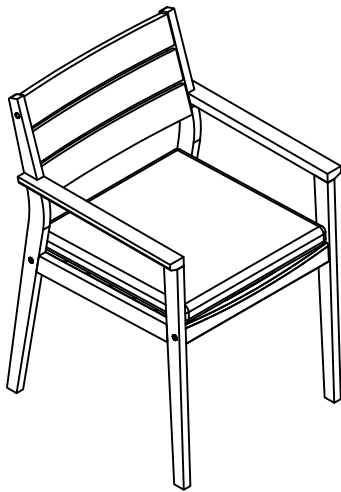






Thank you for purchasing the **MODWAY DINING CHAIR!**

Before you start, here are some helpful advice:

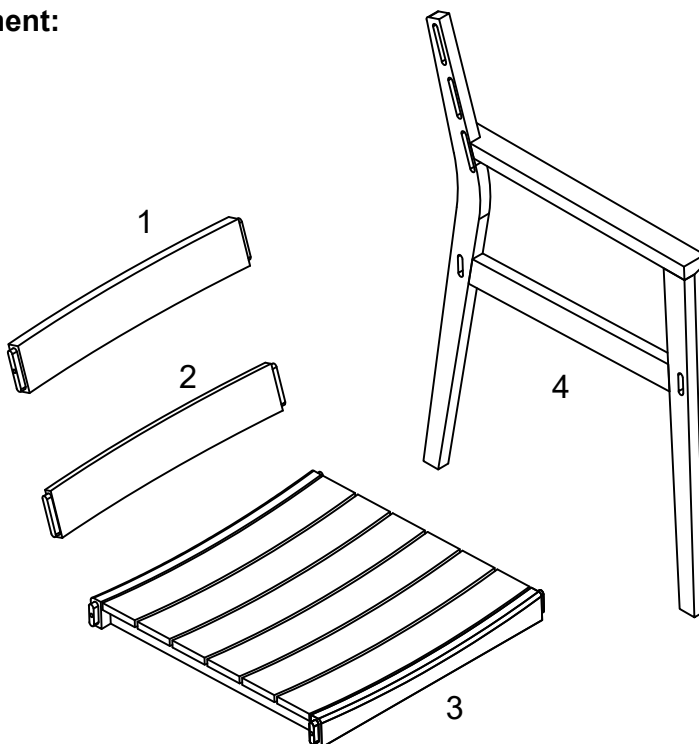
1. We suggest you spend a short time reading through this leaflet and then follow the simple step by step instructions.
2. Owing to the size and weight of the dining chair, we recommend that it is assembled by two adults, on a carpeted or padded area, in the room that it is intended for. Approximate assembly time: 30 minutes.
3. Please do not use any tools other than those provided or recommended in these instructions.
4. Please do not throw away any of the packaging or instructions until you have checked all the components and hardware and the furniture is fully assembled.
5. Assemble all components loosely until advised to tighten. Depending on use, it may be necessary to tighten the components from time to time, so please save the tools that have been provided.
6. Please keep all pieces out of reach of children.



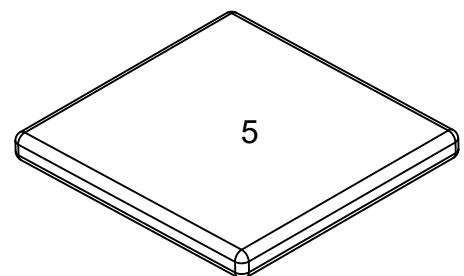
Hardware:

A		Bolt M6x90mm	x 4
B		Nut M6	x 4
C		Screw M6x50mm	x 2
D		Allen Wrench M4	x 2

Component:



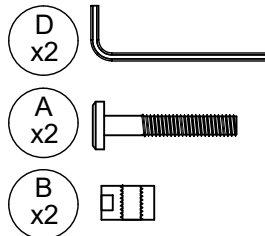
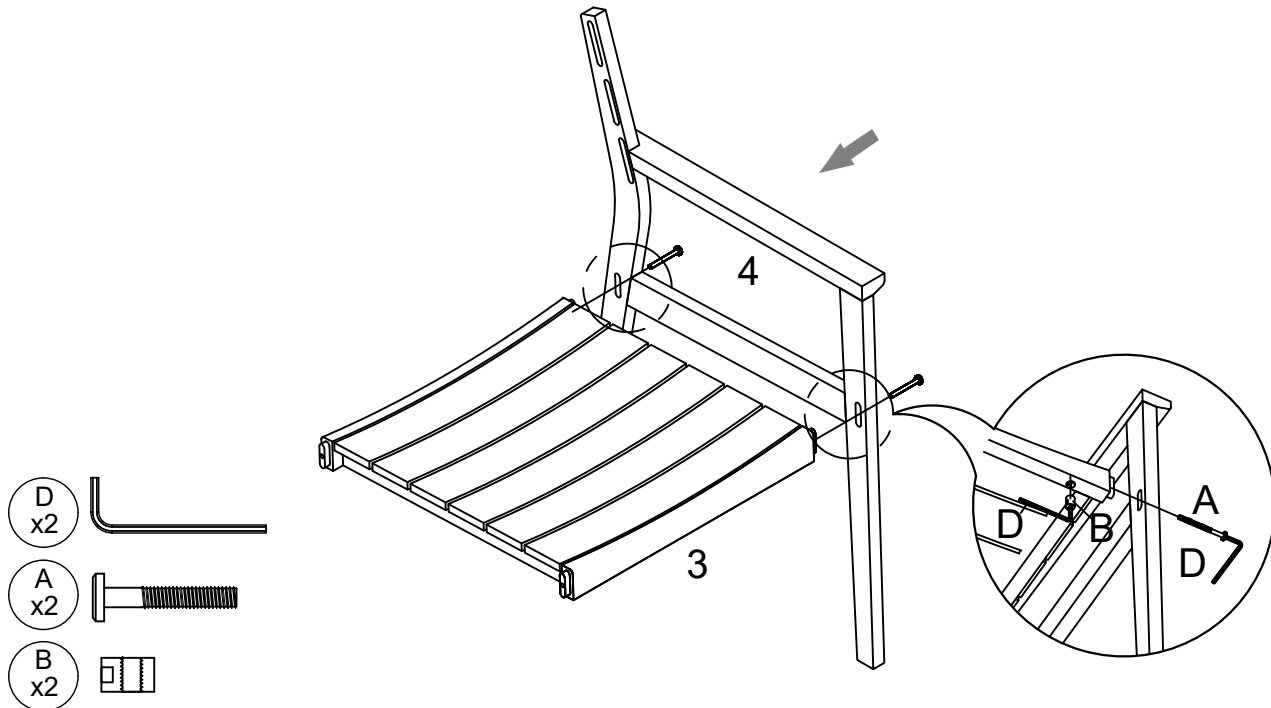
1. Back Slat 1 (with Holes)	x1
2. Back Slat 2 (without Hole)	x2
3. Seat	x1
4. Leg Frame	x2
5. Seat Cushion	x1



STEP 1:

Attach **Leg Frame (4)** to **Seat (3)** as shown.

Insert 2 pieces of **Nuts (B)** into **Seat (3)**, then insert 2 pieces of **Bolts (A)** through **Leg Frame (4)** into **Seat (3)**. Tighten with 2 pieces of **Allen Wrench (D)**.



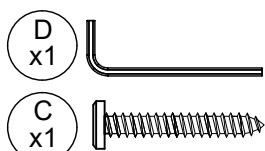
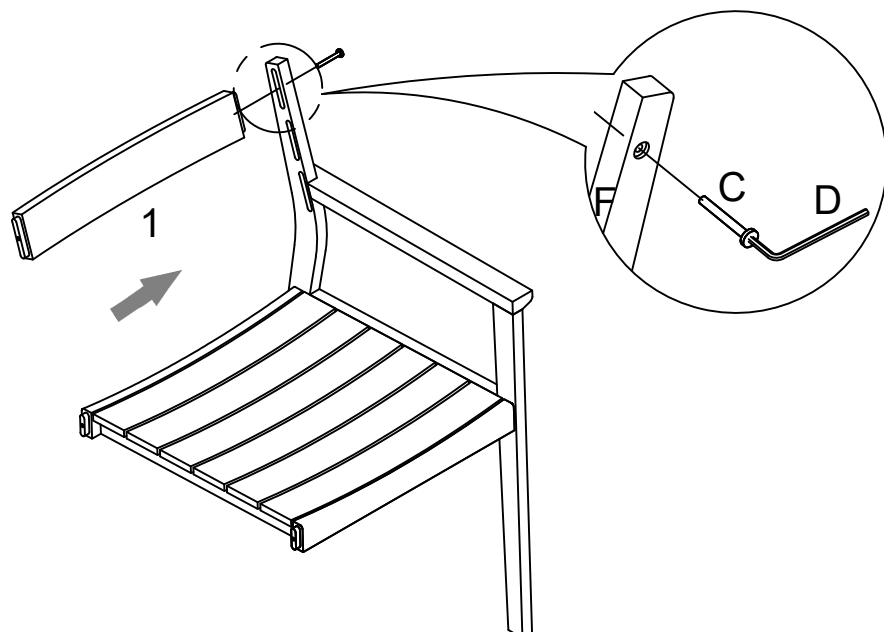
Hardware & Tool required

STEP 2:

Attach **Back Slat (1)** to **Leg Frame (4)** as shown.

Then insert 1 piece of **Screw (C)** through **Leg Frame (4)** into **Top Back (1)**.

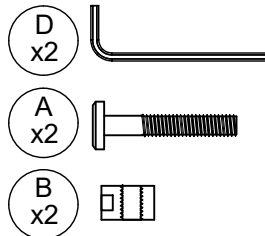
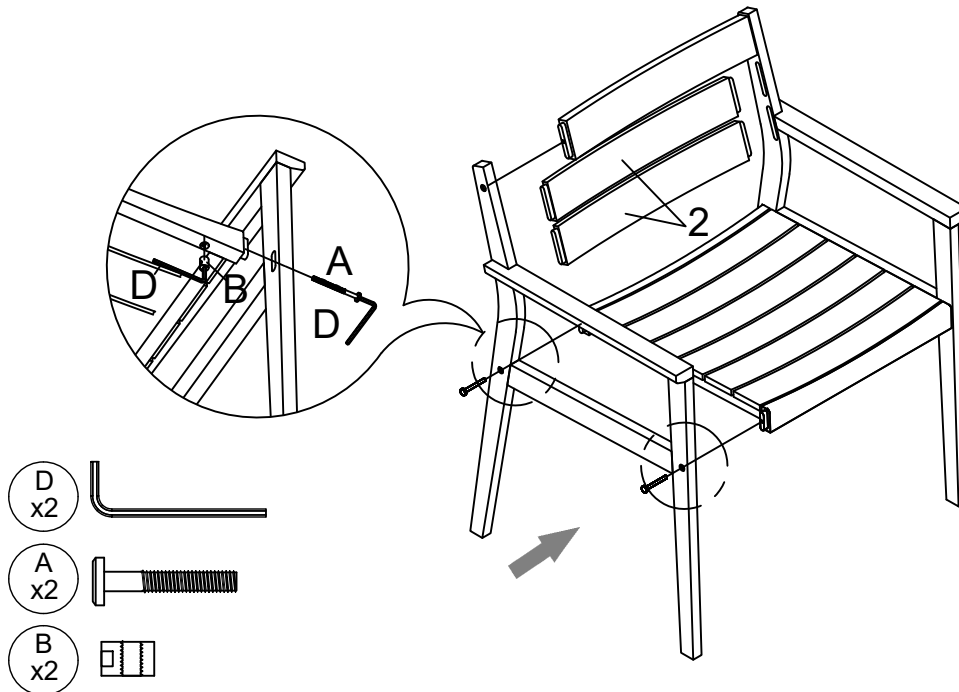
Tighten with **Allen Wrench (D)**.



Hardware & Tool required

STEP 3:

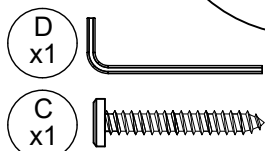
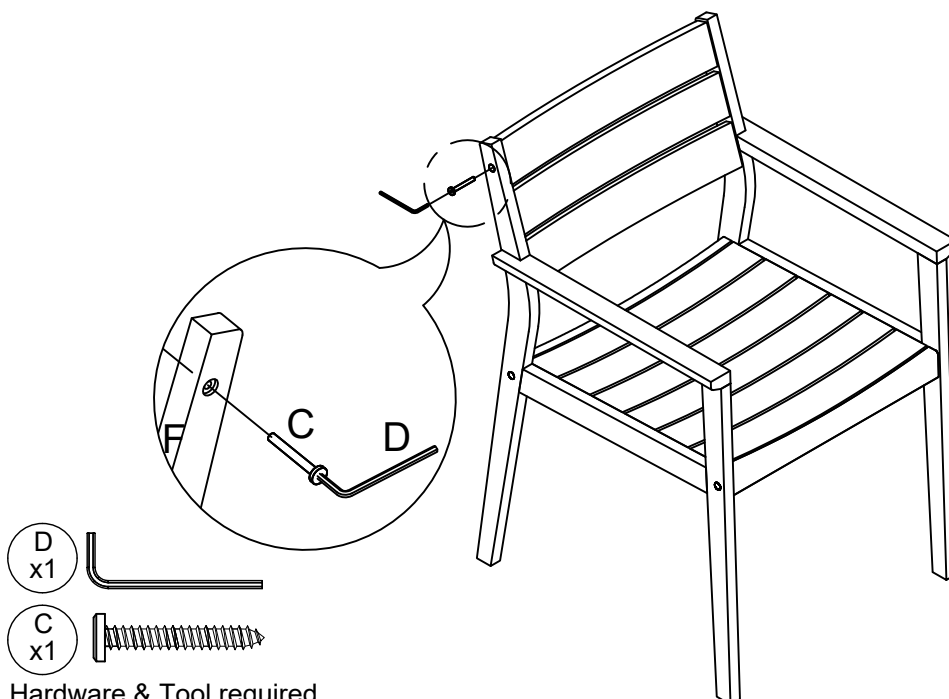
Attach other **Leg Frame (4)** to **Back Slat 1 (1)**, **Back Slats 2 (2)** and **Seat (3)** as shown.
 Insert 2 pieces of **Nuts (B)** into **Seat (3)**, then insert 2 pieces of **Bolts (A)** through **Leg Frame (4)** into **Seat (3)**.
 Tighten with 2 pieces of **Allen Wrench (D)**.



Hardware & Tool required

STEP 4:

Insert 1 piece of **Screw (C)** through **Leg Frame (4)** into **Back Slat 1 (1)**.
 Tighten with **Allen Wrench (D)**.

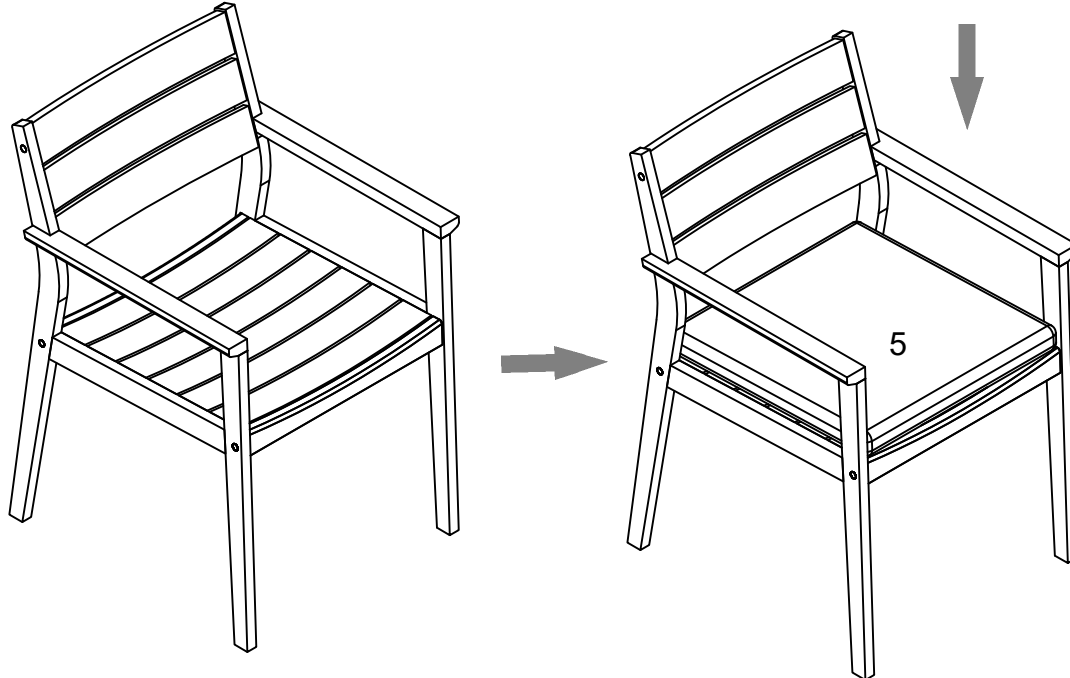


Hardware & Tool required

STEP 5:

Carefully position the assembled dining chair to the desired location.

Put the **Seat Cushion (5)** into the assembled dining chair as shown.



Assembly is complete. Your dining chair is ready to be used now!