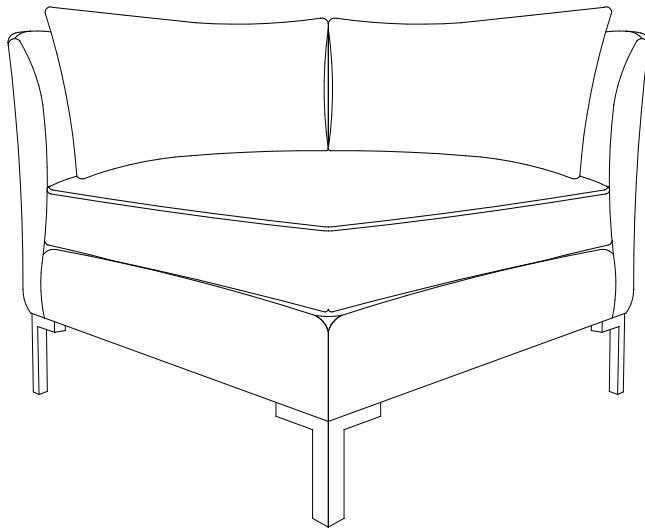


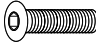


Thank you for purchasing the **MODWAY CORNER**.

Before you start, here are some helpful advice:

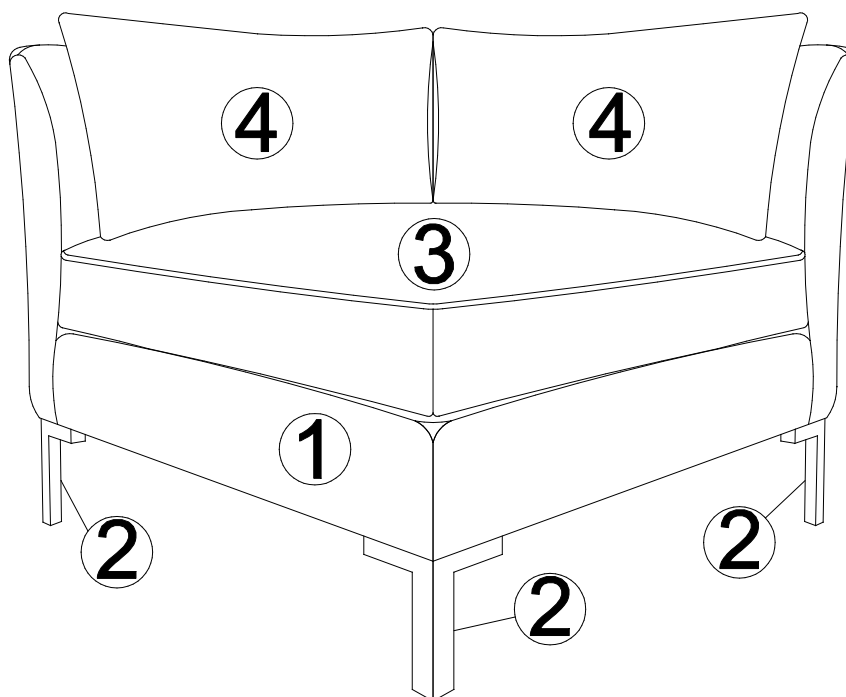
1. We suggest you spend a short time reading through this leaflet and then follow the simple step-by-step instructions.
2. Owing to the size and weight of the Corner, we recommend that it is assembled by two adults, on a carpeted or padded area, in the room that it is intended for. Approximate assembly time: 30 minutes.
3. Please do not use any tools other than those provided or recommended in these instructions.
4. Please do not throw away any of the packaging or the instruction until you have checked all the components and hardware and the furniture is fully assembled. Please ensure that the packaging is disposed of in a safe and environmentally friendly way.
5. Assemble all components loosely until advised to tighten. Depending on use, it may be necessary to tighten the components from time to time, so please save the tools that have been provided.
6. Please keep all pieces out of reach of children.



Hardware:

- A.  Bolt M8x25mm x8
- B.  Flat Washer x8
- C.  Allen Wrench x1

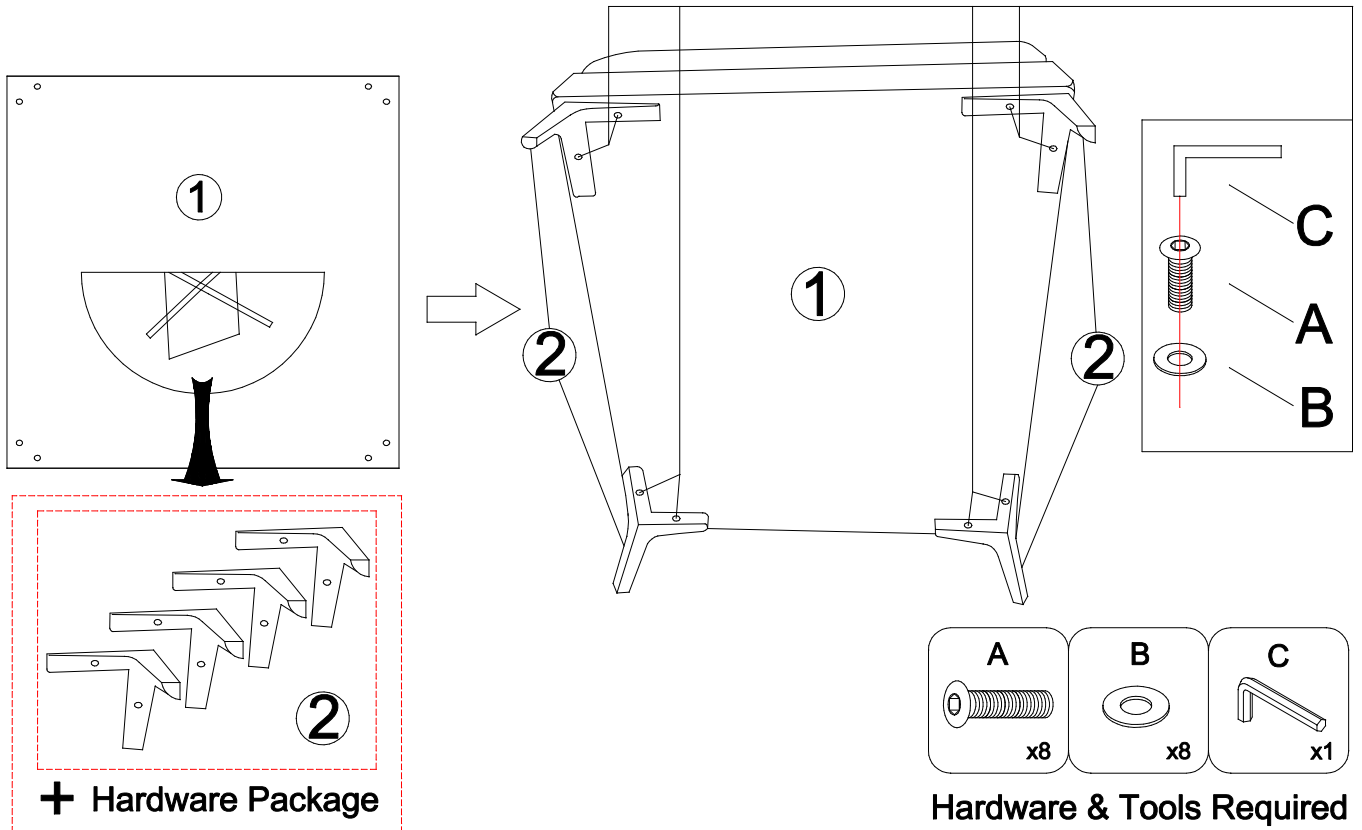
Components:



- 1. Corner Body x1
- 2. Leg x4
- 3. Seat Cushion x1
- 4. Back Cushion x2

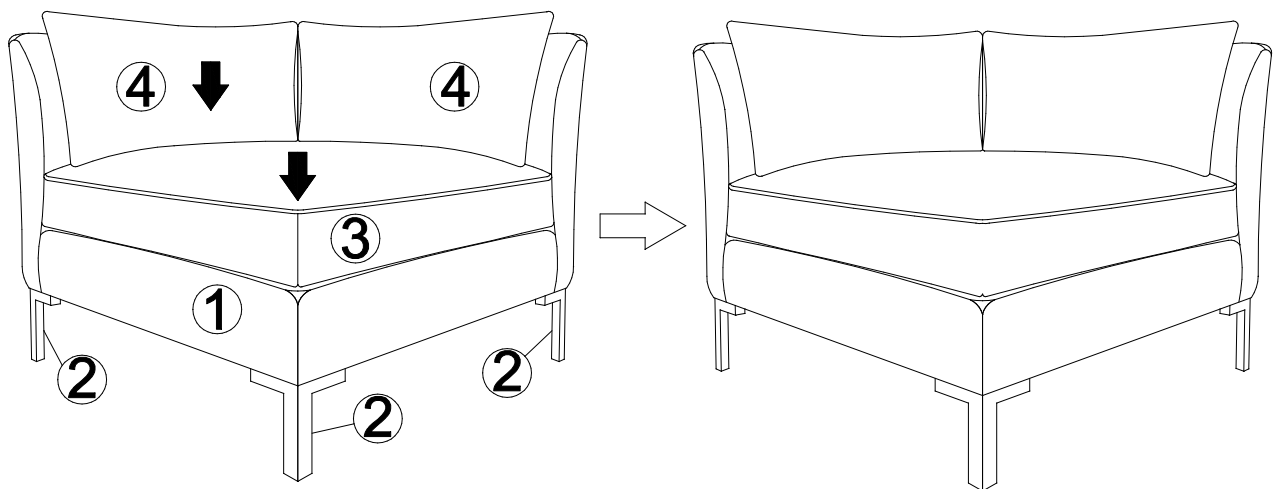
STEP 1:

1. Please put **Corner Body (1)** upside down on a carpeted or padded surface.
2. Open the zipper on the bottom of the **Corner Body (1)** and take out the 4 pieces of **Legs (2)** and Hardware package.
3. Attach 4 pieces of **Legs (2)** to **Corner Body (1)** by using 8 pieces of **Bolts (A)** and 8 pieces of **Spring Washers (B)** as shown.
4. Use **Allen Wrench (C)** to tighten all **Bolts (A)** clockwise as shown.



STEP 2:

1. Close the zipper on the bottom of **Corner Body (1)**, carefully turn over the **Corner Body (1)**.
2. Carefully put 1 piece of **Seat Cushion (3)** to the **Corner Body (1)** as shown and fix **Seat Cushion (3)** by velcro on the **Corner Body (1)**. Then put 2 pieces of **Back Cushions (4)** to the **Corner Body (1)** as shown.



Assembly is complete. Your corner is ready to enjoy now!