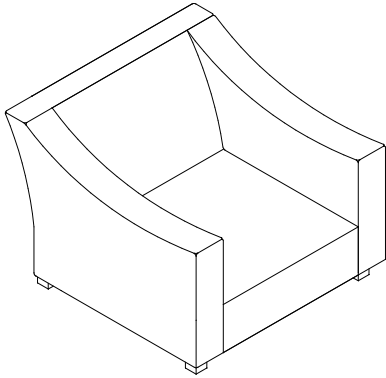




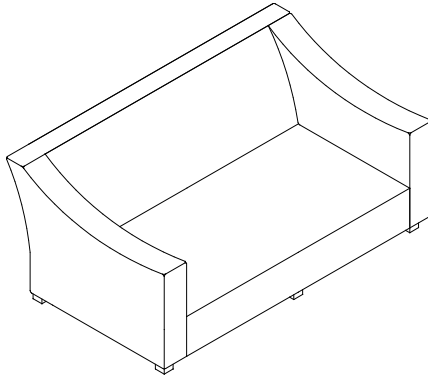
**EEI-3970/3971/3972/3973/3974/3975/3976/3978/3979/3980**

---

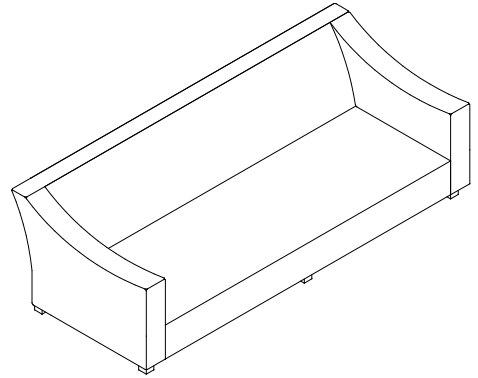
**SECTIONAL COLLECTION**



**EEI-3972**



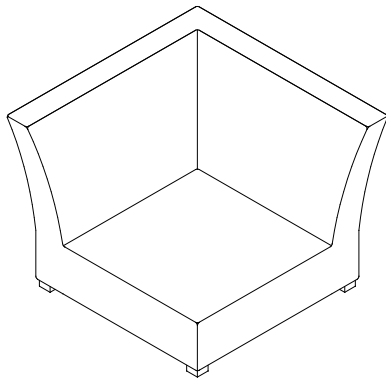
**EEI-3973**



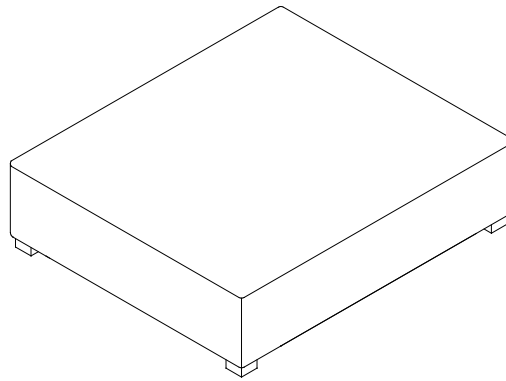
**EEI-3974**

Noted: EEI-3972/3973/3974 without Buckle

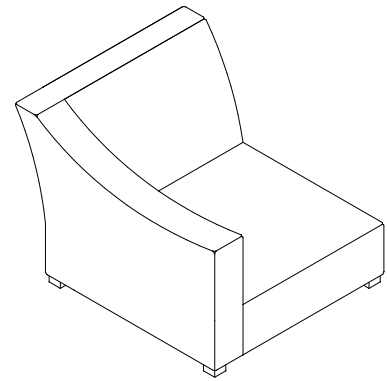
---



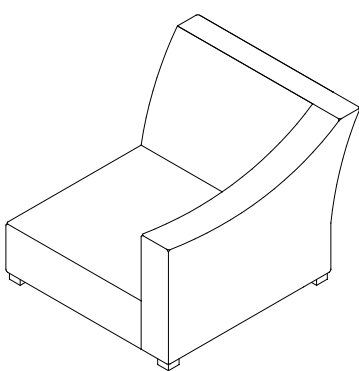
**EEI-3970**



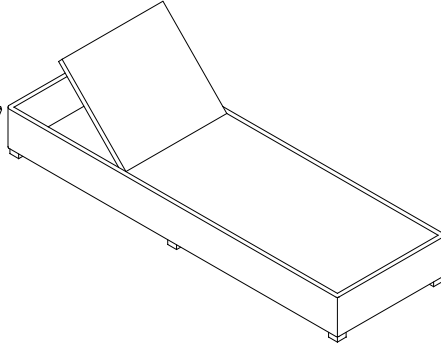
**EEI-3971**



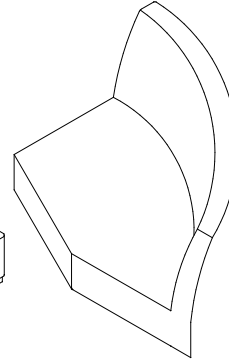
**EEI-3975**



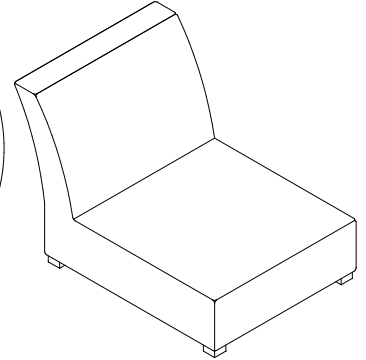
**EEI-3976**



**EEI-3978**



**EEI-3979**



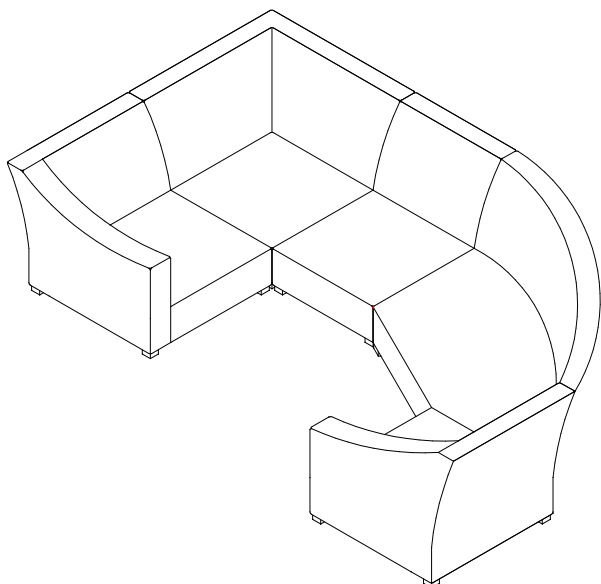
**EEI-3980**

Noted: EEI-3970/3971/3975/3976/3978/3979/3980 with Buckle

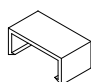
Thank you for purchasing the **MODWAY SECTIONAL COLLECTION**

Before you start, here are some helpful advice:

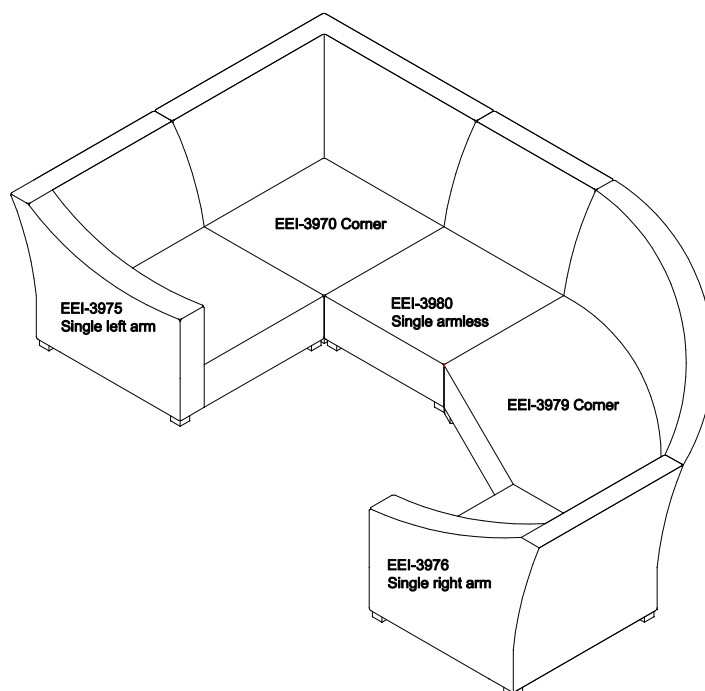
1. We suggest you spend a short time reading through this leaflet and then follow the simple step-by-step instructions.
2. Owing to the size and weight of the sectional collection, we recommend that it is assembled by two adults, on a carpeted or padded area, in the room that it is intended for. Approximate assembly time: 20 minutes.
3. Please do not use any tools other than those provided or recommended in these instructions.
4. Please do not throw away any of the packaging or the instruction until you have checked all the components and hardware and the furniture is fully assembled. Please ensure that the packaging is disposed of in a safe and environmentally friendly way.
5. Assemble all components loosely until advised to tighten. Depending on use, it may be necessary to tighten the components from time to time, so please save the tools that have been provided.
6. Please keep all pieces out of reach of children.



**Hardware:**

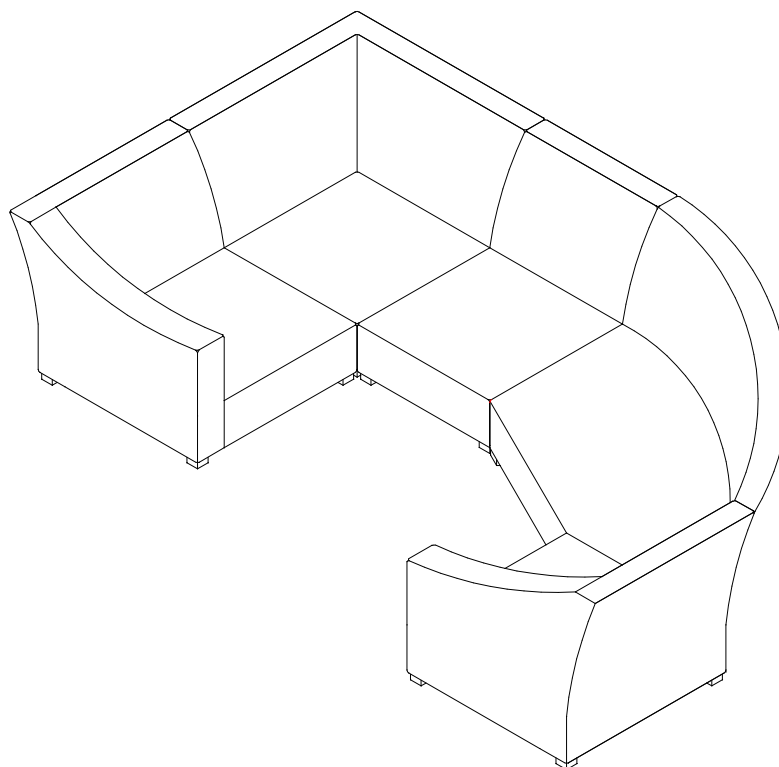
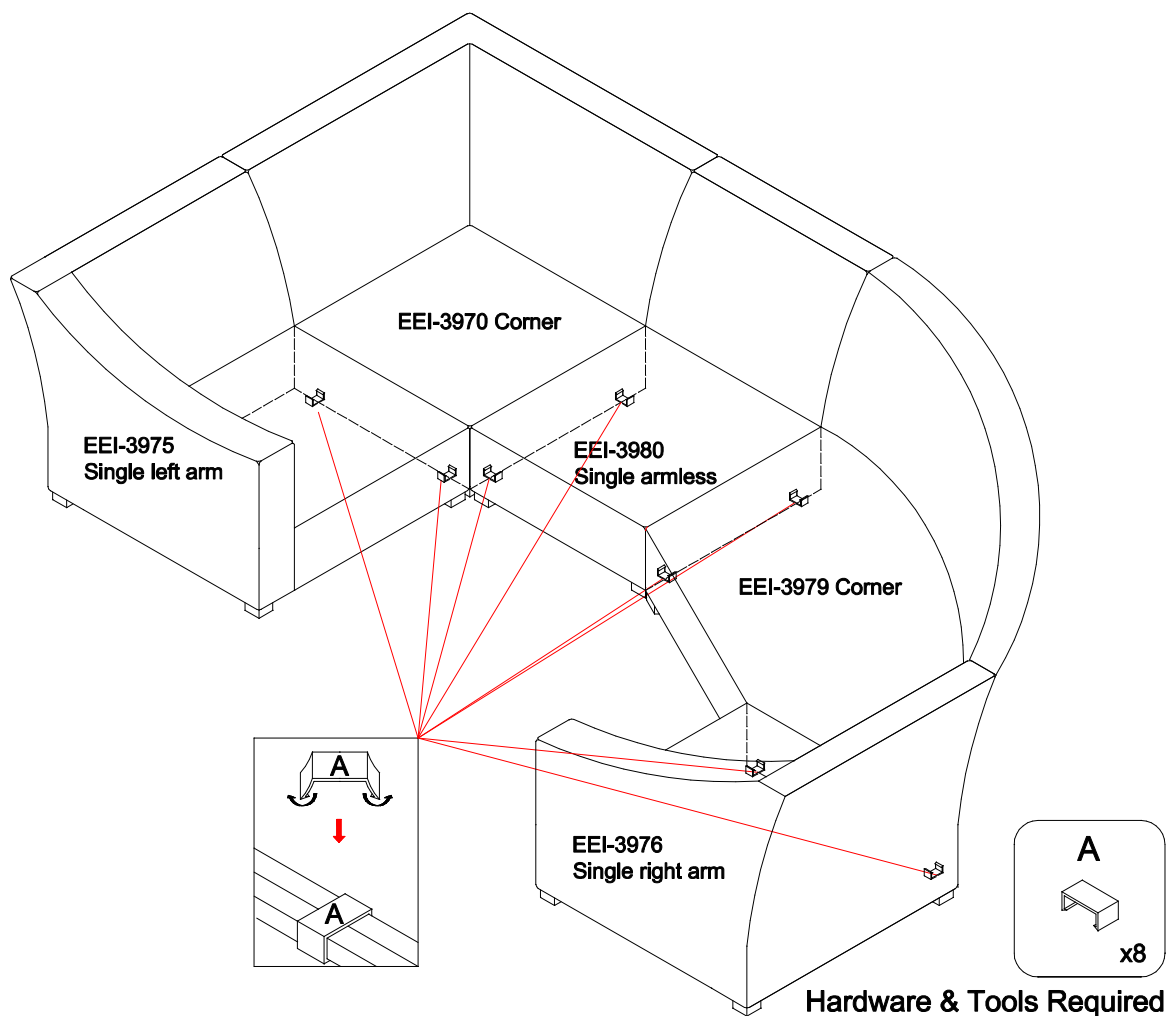
- A.  Buckle x8

**Components:**



**STEP 1:**

Use 8 pieces of **Buckles (A)** to connect seats as shown.

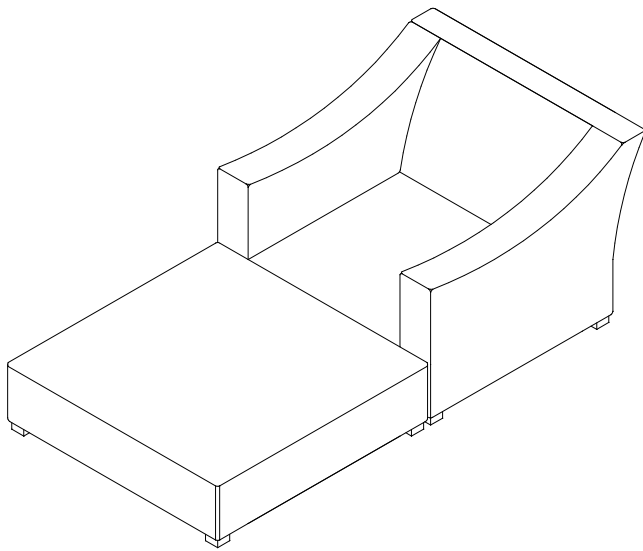


Assembly is complete. The sectional cushion is ready to enjoy now.

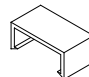
Thank you for purchasing the **MODWAY SECTIONAL COLLECTION**

Before you start, here are some helpful advice:

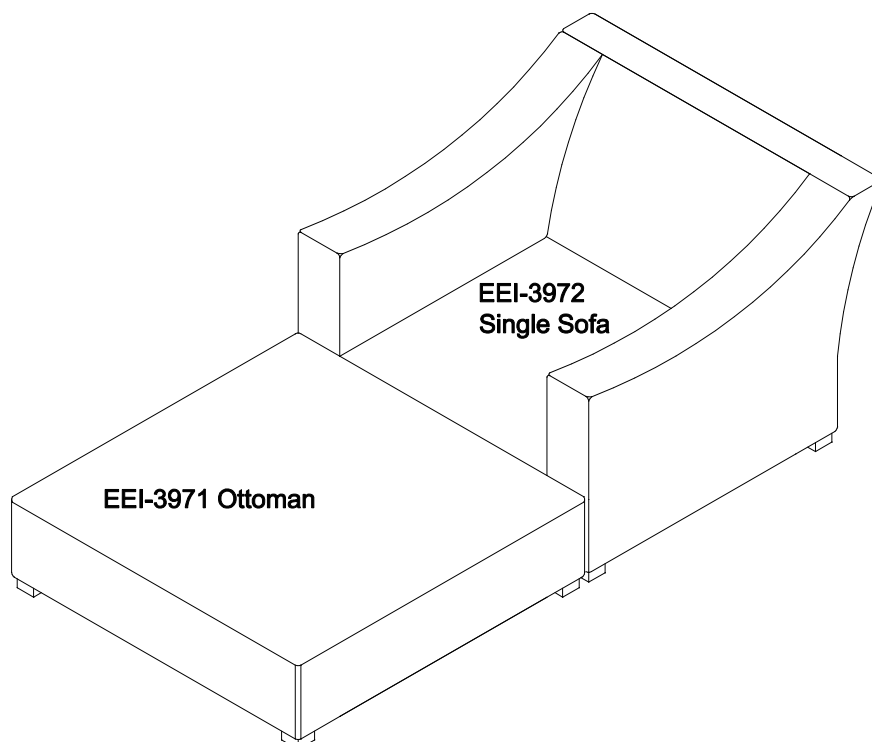
1. We suggest you spend a short time reading through this leaflet and then follow the simple step-by-step instructions.
2. Owing to the size and weight of the sectional collection, we recommend that it is assembled by two adults, on a carpeted or padded area, in the room that it is intended for. Approximate assembly time: 20 minutes.
3. Please do not use any tools other than those provided or recommended in these instructions.
4. Please do not throw away any of the packaging or the instruction until you have checked all the components and hardware and the furniture is fully assembled. Please ensure that the packaging is disposed of in a safe and environmentally friendly way.
5. Assemble all components loosely until advised to tighten. Depending on use, it may be necessary to tighten the components from time to time, so please save the tools that have been provided.
6. Please keep all pieces out of reach of children.



**Hardware:**

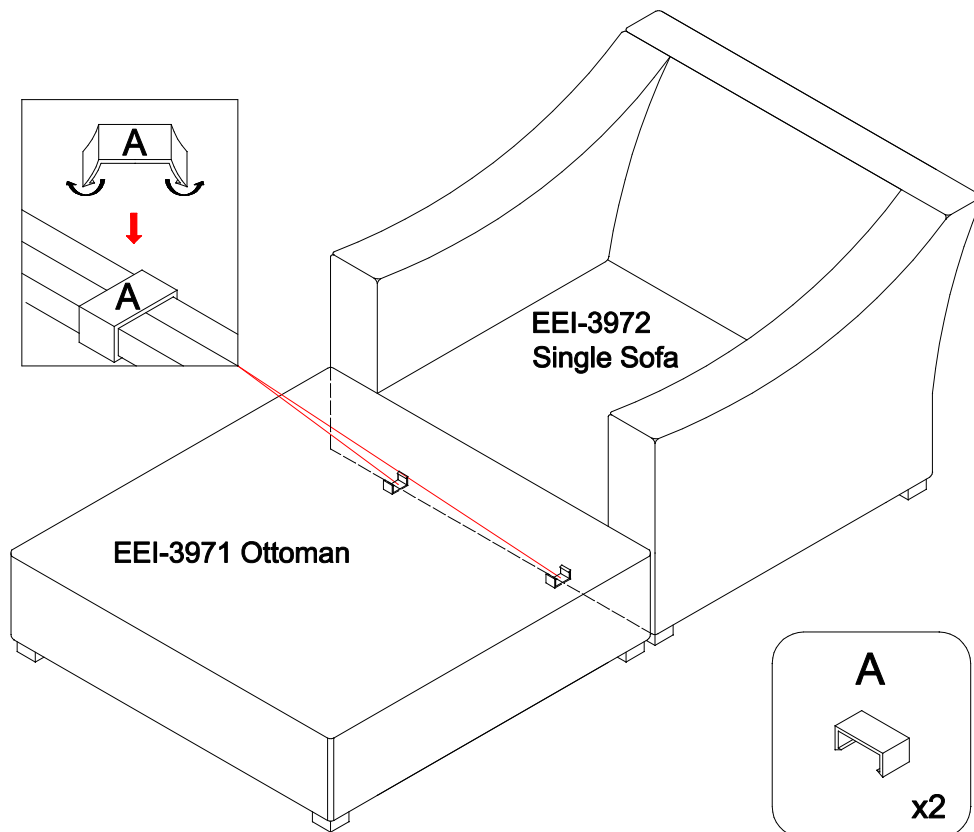
- A.  Buckle x2

**Components:**

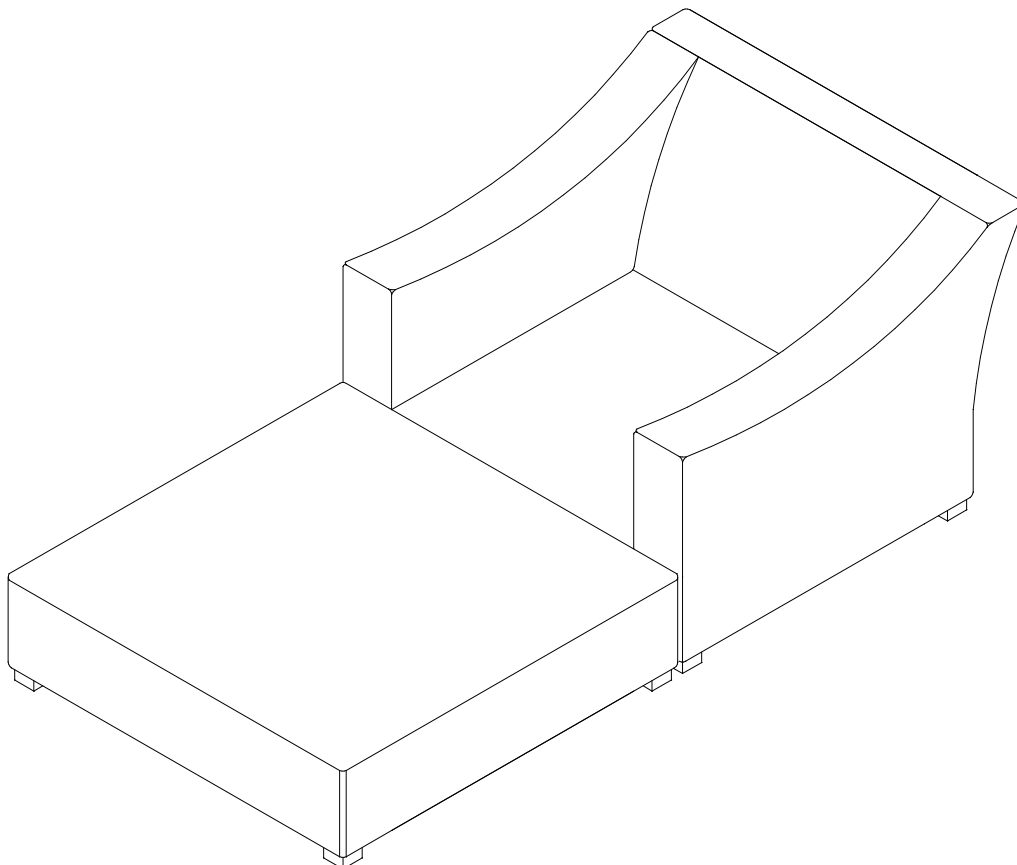


**STEP 1:**

Use 2 pieces of **Buckles (A)** to connect seats as shown.



**Hardware & Tools Required**

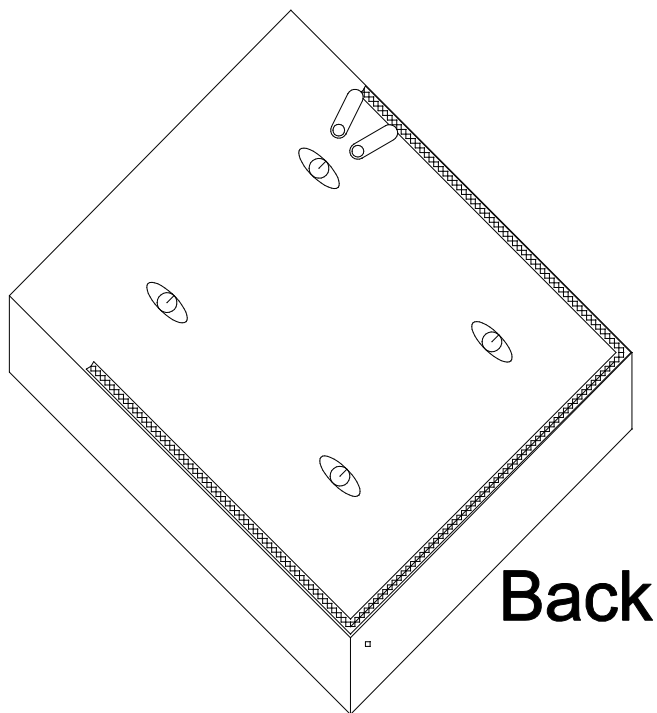


Assembly is complete. The sectional cushion is ready to enjoy now.

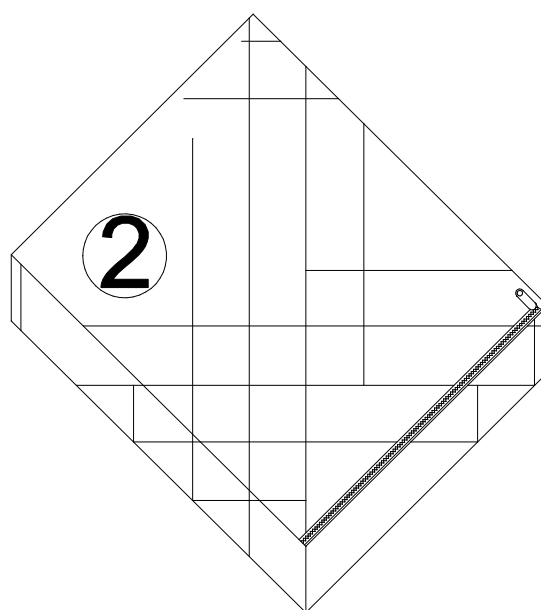
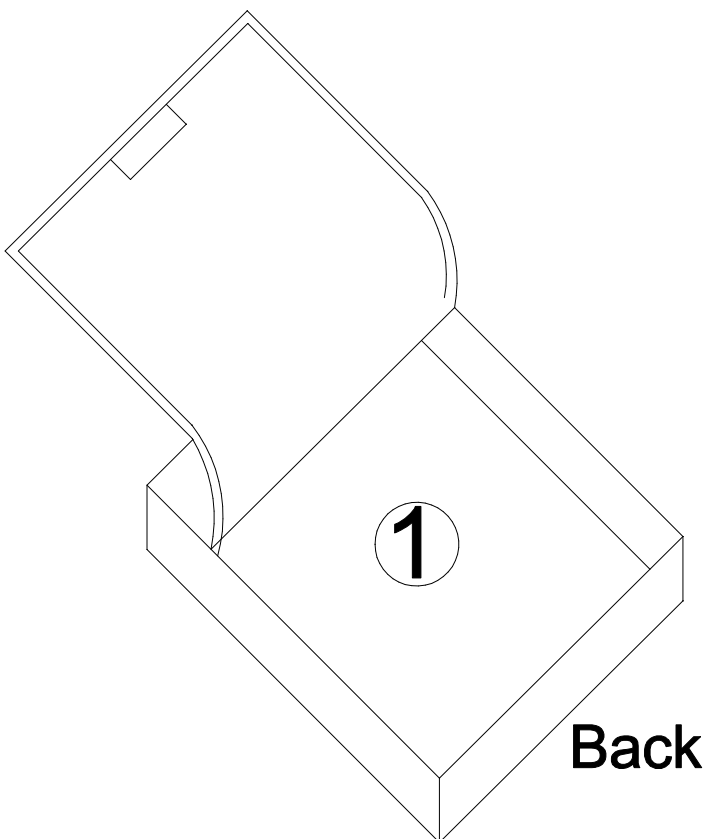
# ASSEMBLY INSTRUCTIONS

## SEAT CUSHION

Seat Cushion



### Components:

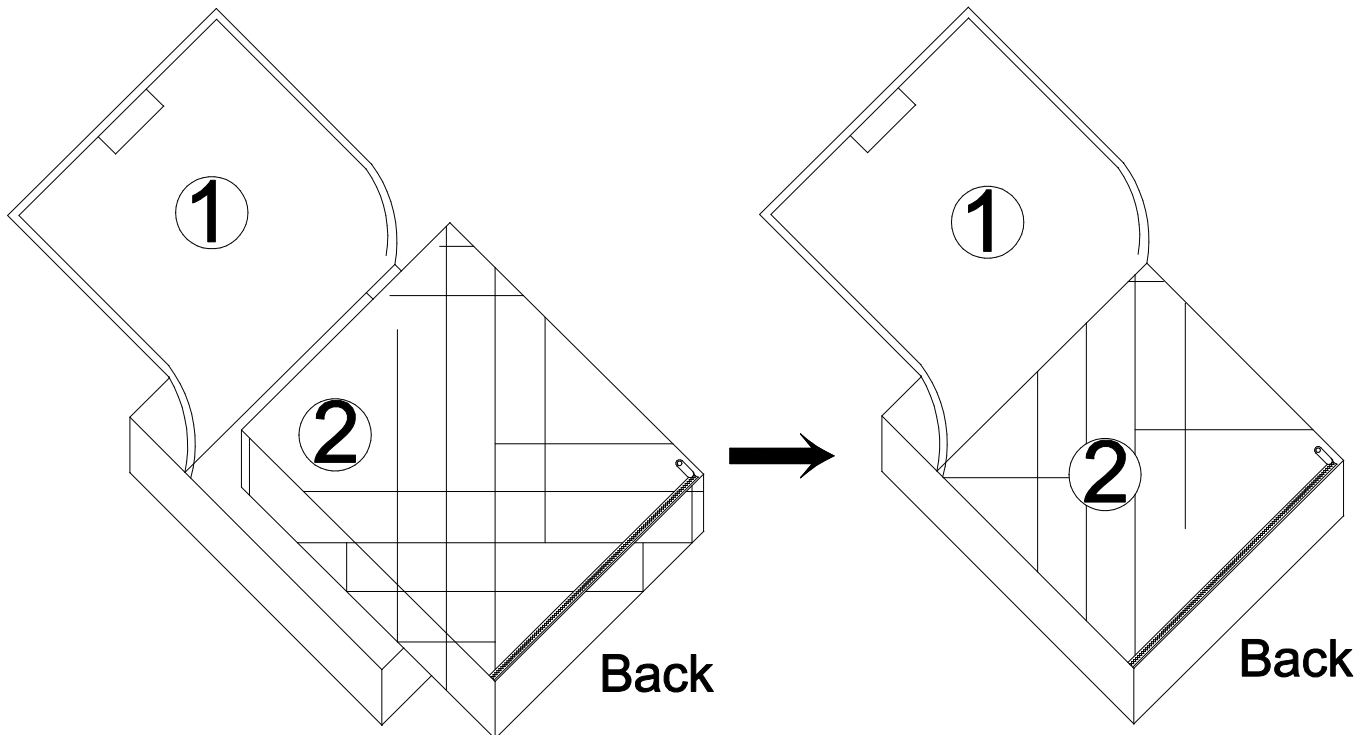


1. COVER x1

2. FOAM x1

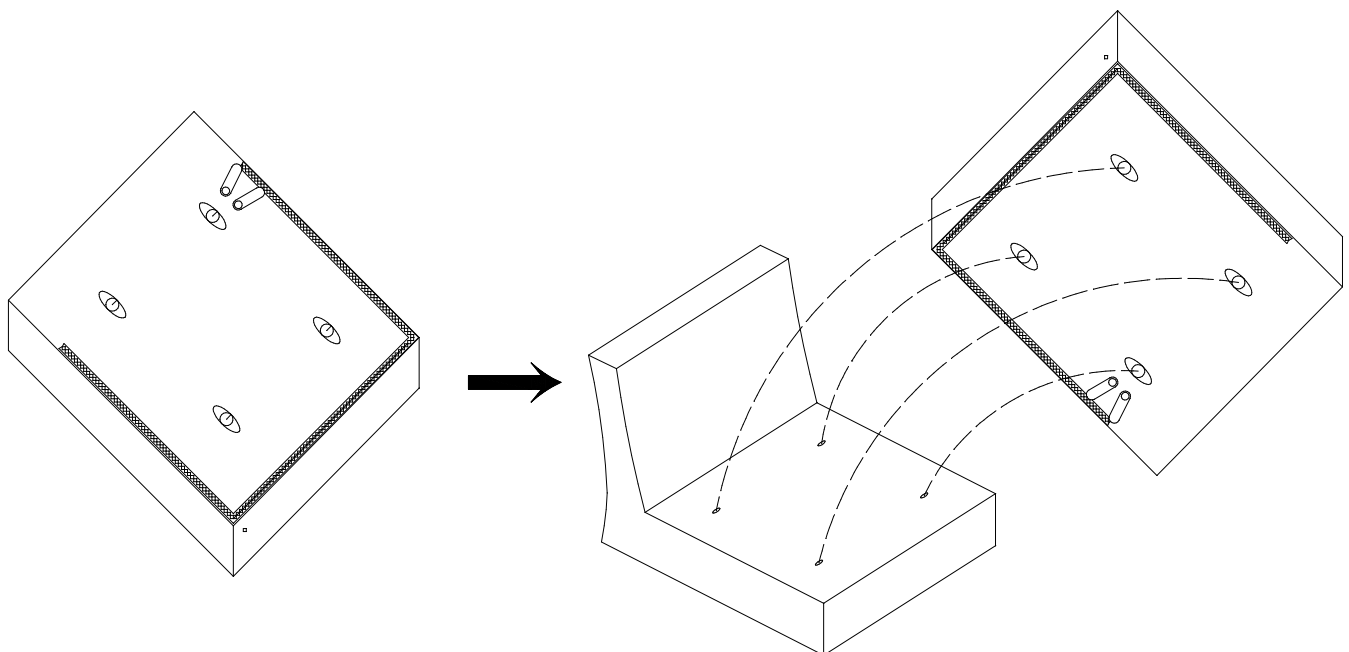
**STEP 1:**

1. Please put **Cover (1)** upside down on a carpeted or padded area and fully open the zipper.
2. Insert **Foam (2)** into **Cover (1)** with the zipper in the same direction Until the **Foam (1)** is all embedded into the **Cover (1)** as shown.



**STEP 2:**

Zip up the **Cover (1)** and fix the assembled cushion to the sofa seat by using the pre-installed Clips on **Cover (1)** as shown.

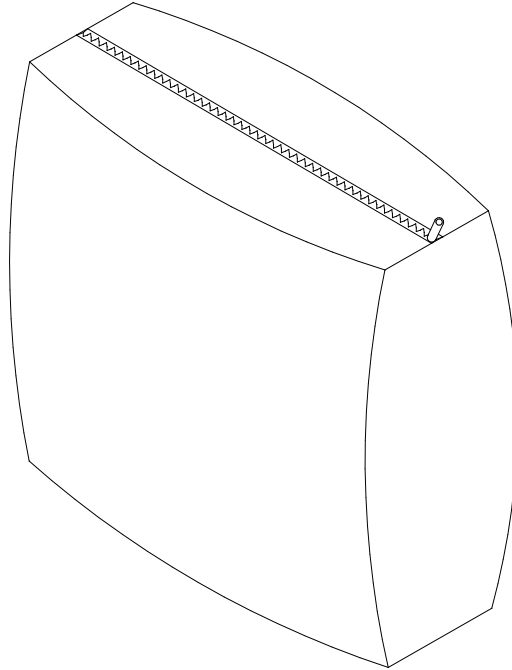


Assembly is completed. The seat cushion is ready to use now!

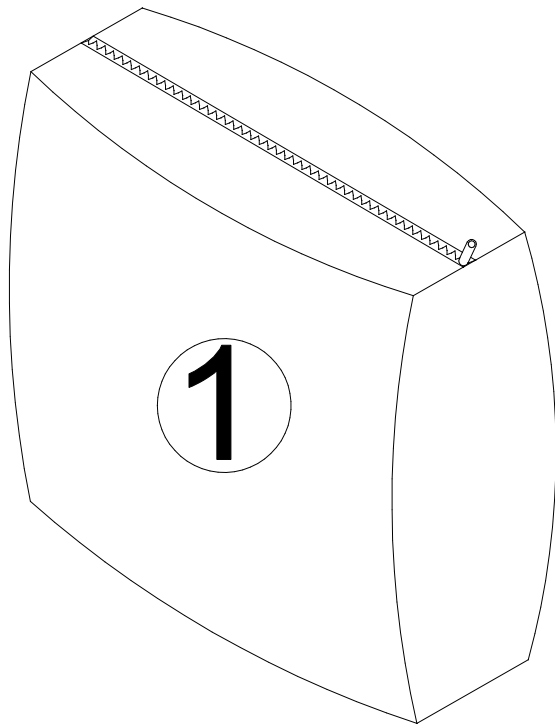
# ASSEMBLY INSTRUCTIONS

## BACK CUSHION

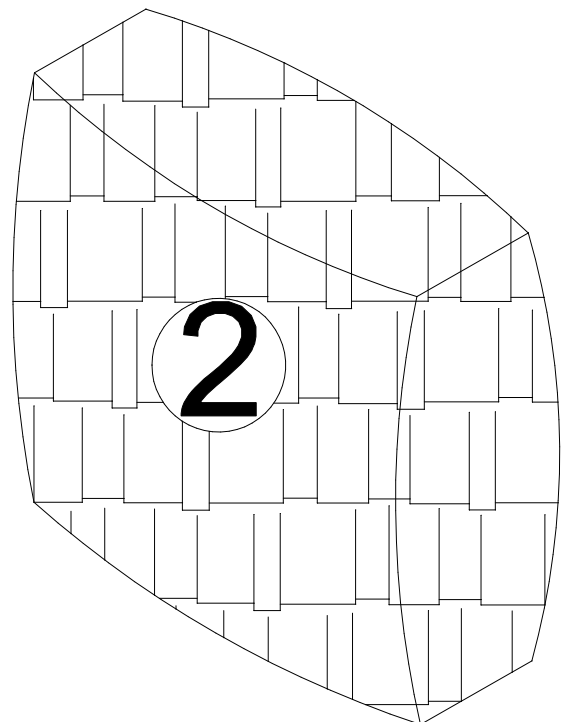
Back Cushion



Components:



1. COVER x1

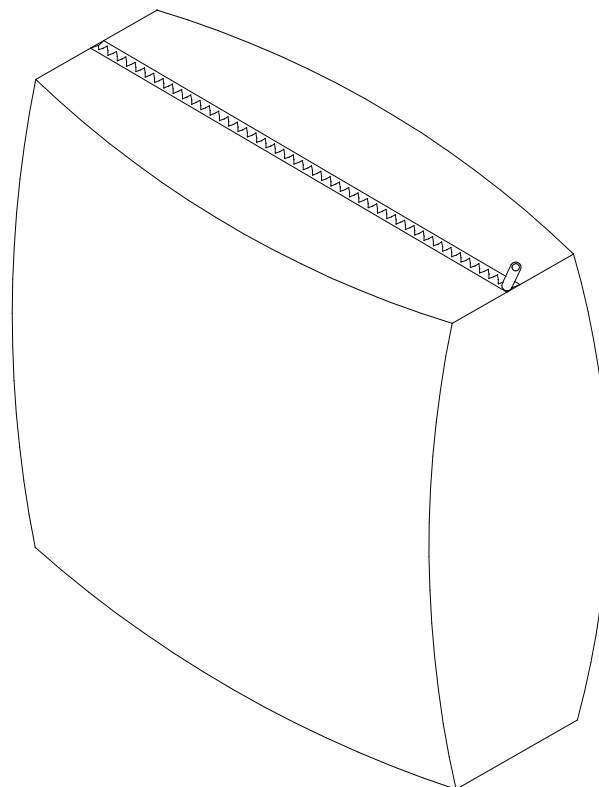
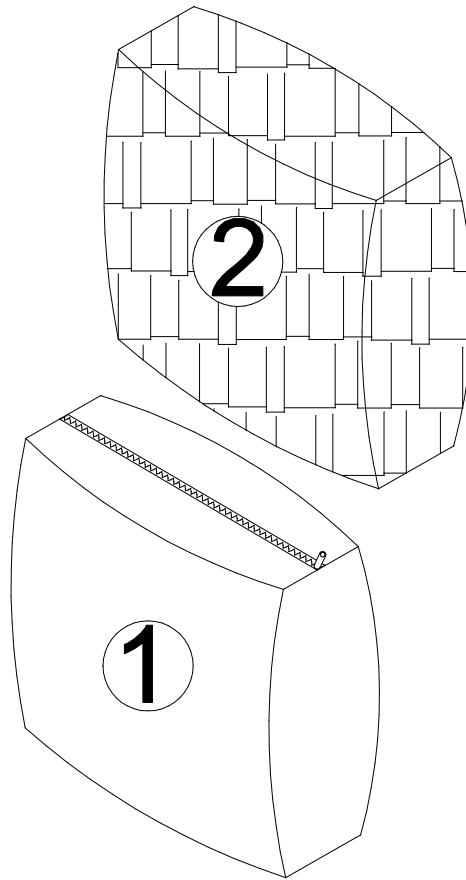


2. FOAM x1



**STEP 1:**

1. Please put **Cover (1)** upside down on a carpeted or padded area and fully open the zipper.
2. Insert **Foam (2)** into **Cover (1)** Until the **Foam (1)** is all embedded into the **Cover (1)** and Zip up the **Cover (1)** as shown.



Assembly is completed. The back cushion is ready to use now!