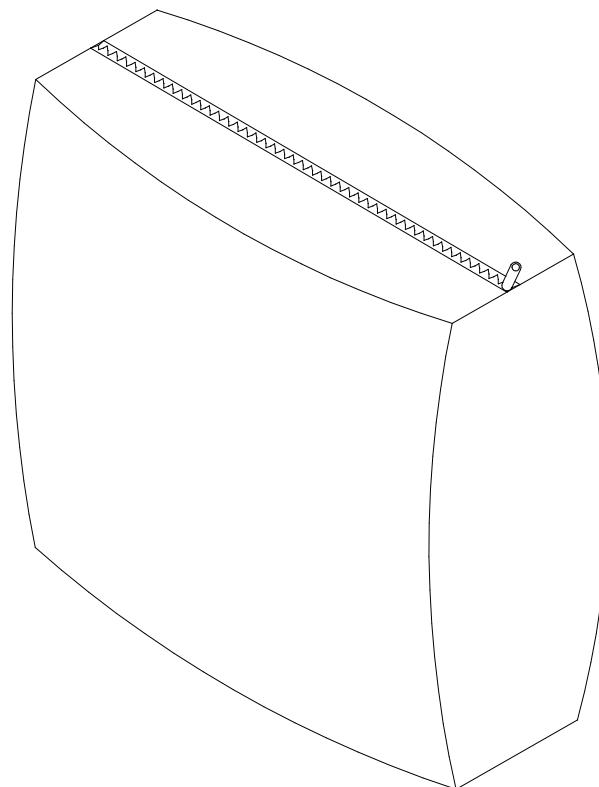
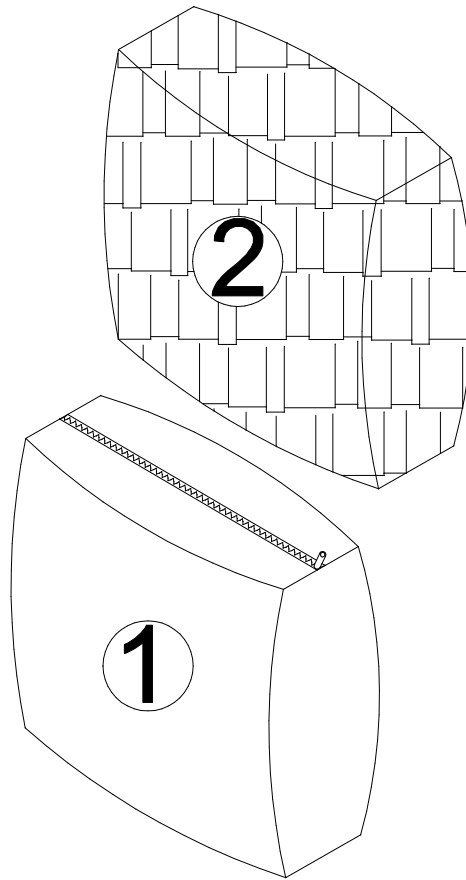


STEP 1:

1. Please put **Cover (1)** upside down on a carpeted or padded area and fully open the zipper.
2. Insert **Foam (2)** into **Cover (1)** Until the **Foam (1)** is all embedded into the **Cover (1)** and Zip up the **Cover (1)** as shown.



Assembly is completed. The back cushion is ready to use now!