

EEI-3901 GAMING CHAIR

Thank you for purchasing the **MODWAY GAMING CHAIR!**

Before you start, here are some helpful advice:

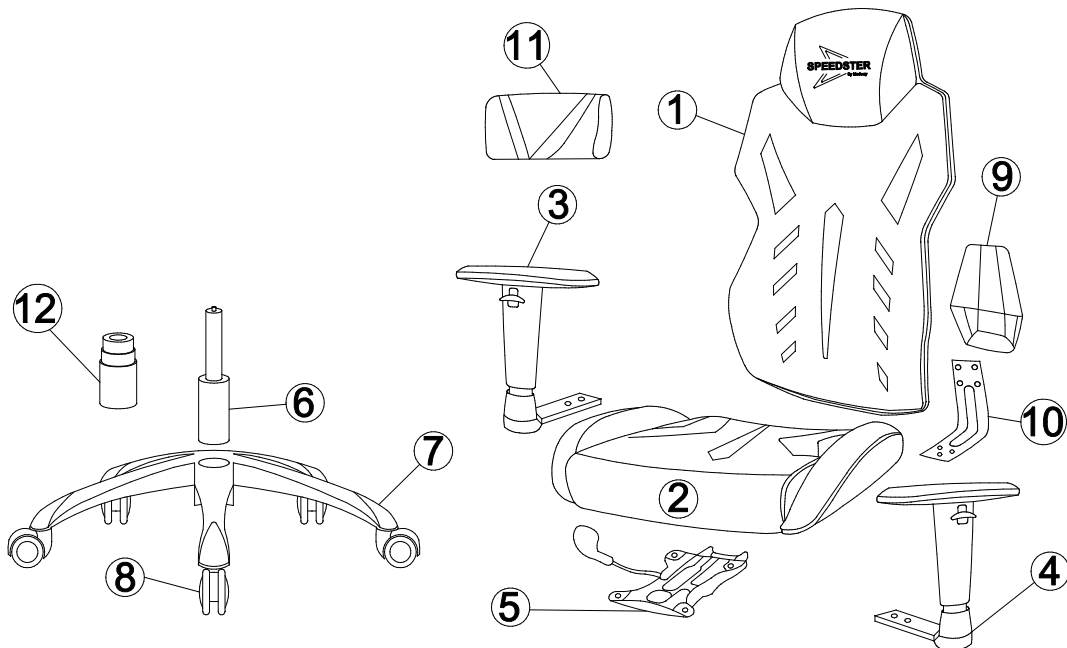
1. We suggest you spend a short time reading through this leaflet and then follow the simple step-by-step instructions.
2. Owing to the size and weight of the Gaming chair, we recommend that it is assembled by two adults, on a carpeted or padded area, in the room that it is intended for. Approximate assembly time: 30 minutes.
3. Please do not use any tools other than those provided or recommended in these instructions.
4. Please do not throw away any of the packaging or the instruction until you have checked all the components and hardware and the furniture is fully assembled. Please ensure that the packaging is disposed of in a safe and environmentally friendly way.
5. Assemble all components loosely until advised to tighten. Depending on use, it may be necessary to tighten the components from time to time, so please save the tools that have been provided.
6. Please keep all pieces out of reach of children.



Hardware:

A.		Bolt M8x20mm	x3
B.		Bolt M6x20mm	x4
C.		Bolt M6x25mm	x8
D.		Flat Washer	x11
E.		Spring Washer	x7
F.		Allen Wrench	x1

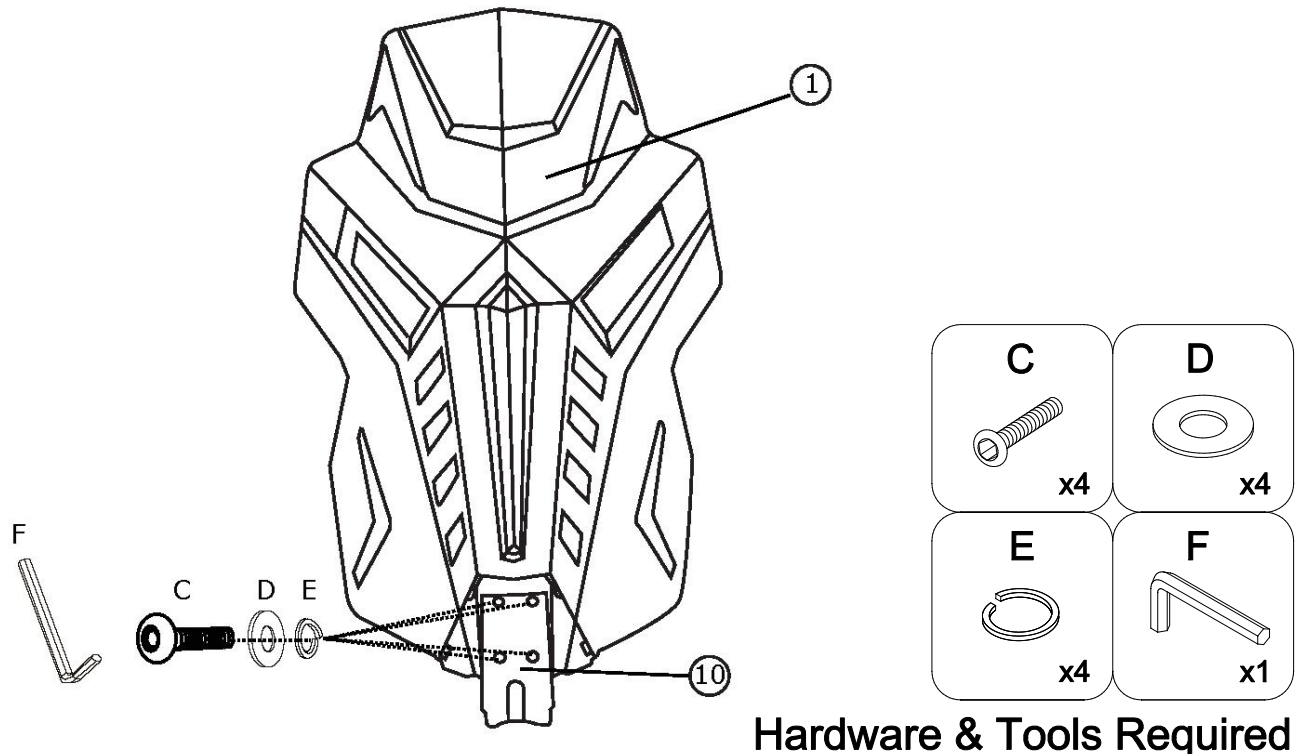
Components:



1. Back	x1	2. Seat	x1	3. Left Armrest	x1	4. Right Armrest	x1	5. Chassis	x1
6. Cylinder Column	x1	7. Base	x1	8. Castor	x5	9. Plastic Cover			
10. Connection Plate	x1	11. Pillow	x1	12. Black Dust Cover	x1				

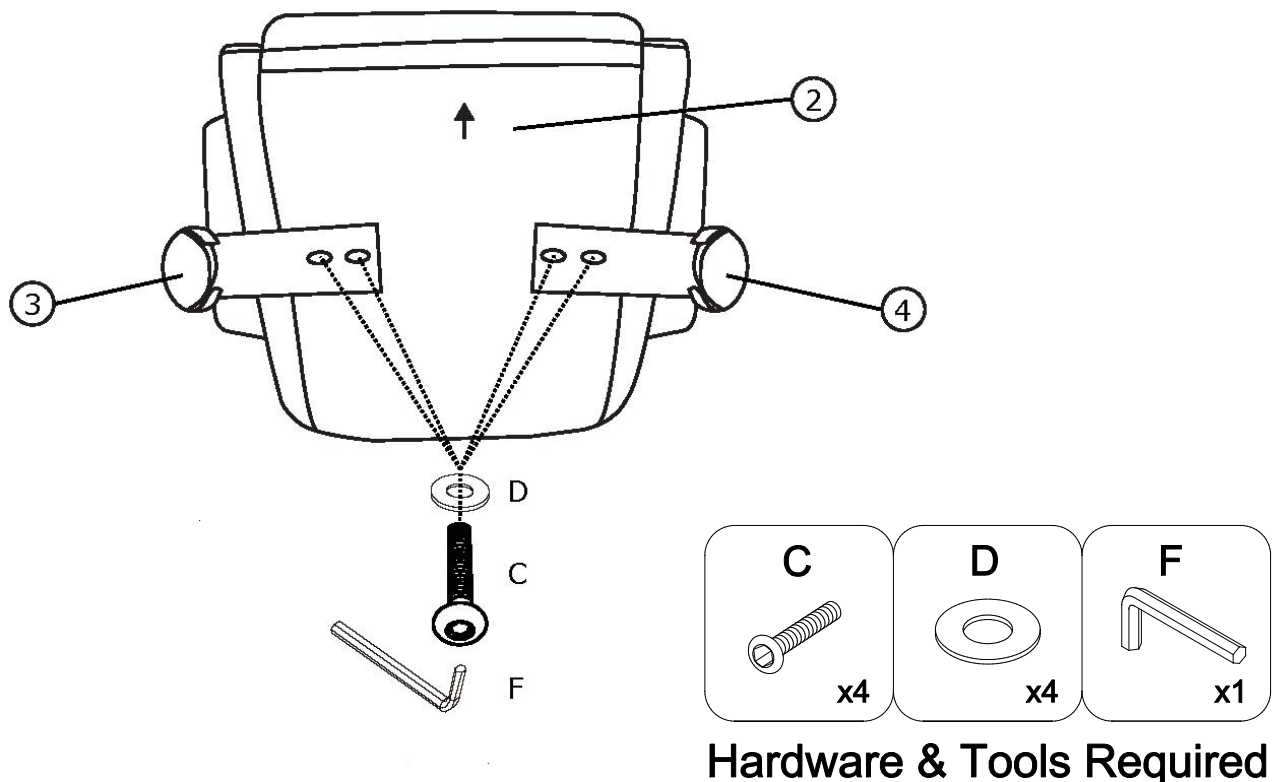
STEP 1:

1. Attach the **Connection Plate (10)** to the **Back (1)** by using 4 pieces of **Bolts (C)** and 4 pieces of **Flat Washers (D)** and 4 pieces of **Spring Washers (E)** as shown.
2. Use **Allen Wrench (F)** to tighten all **Bolts (C)** clockwise as shown.



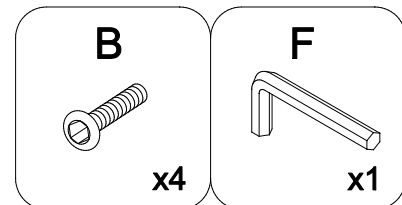
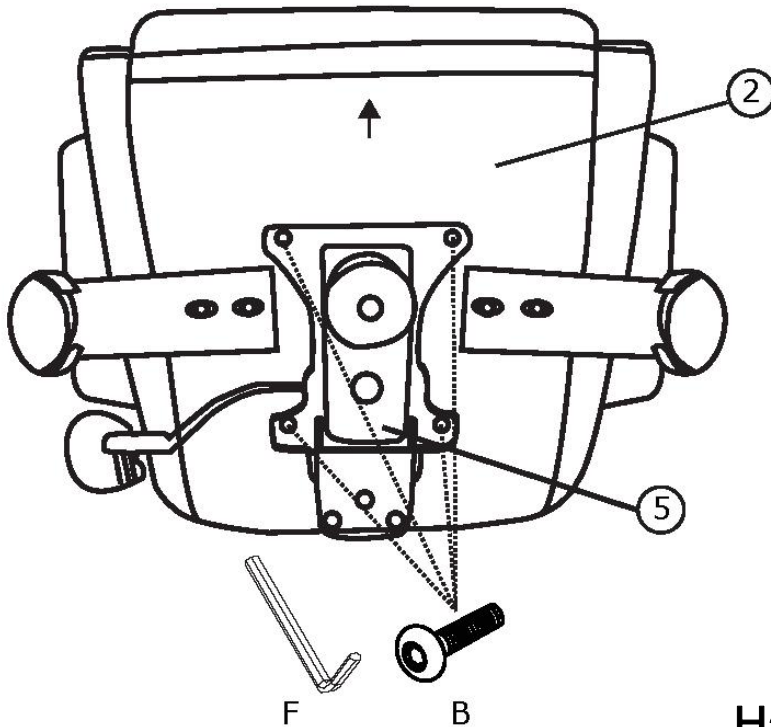
STEP 2:

1. Attach the **Left Armrest (3)** to the **Seat (2)** by using 2 pieces of **Bolts (C)** and 2 pieces of **Flat Washers (D)** as shown.
2. Repeat the same steps for the **Right Armrest (4)**.
3. Use **Allen Wrench (F)** to tighten all **Bolts (C)** clockwise as shown.



STEP 3:

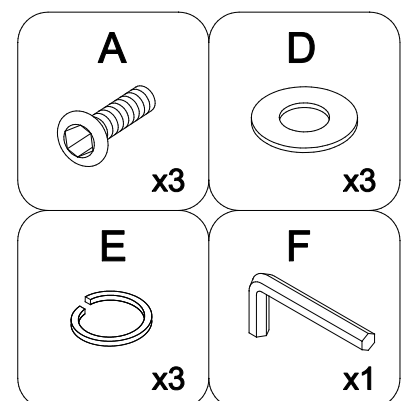
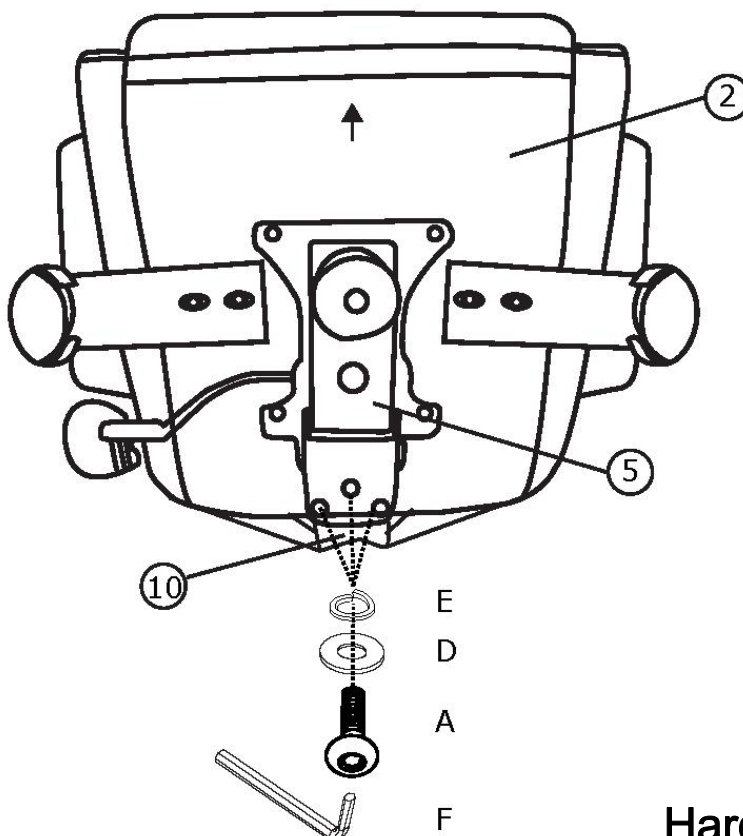
1. Attach the **Chassis (5)** to the **Seat (2)** by using 4 pieces of **Bolts (B)** as shown.
2. Use **Allen Wrench (F)** to tighten all **Bolts (B)** clockwise as shown.



Hardware & Tools Required

STEP 4:

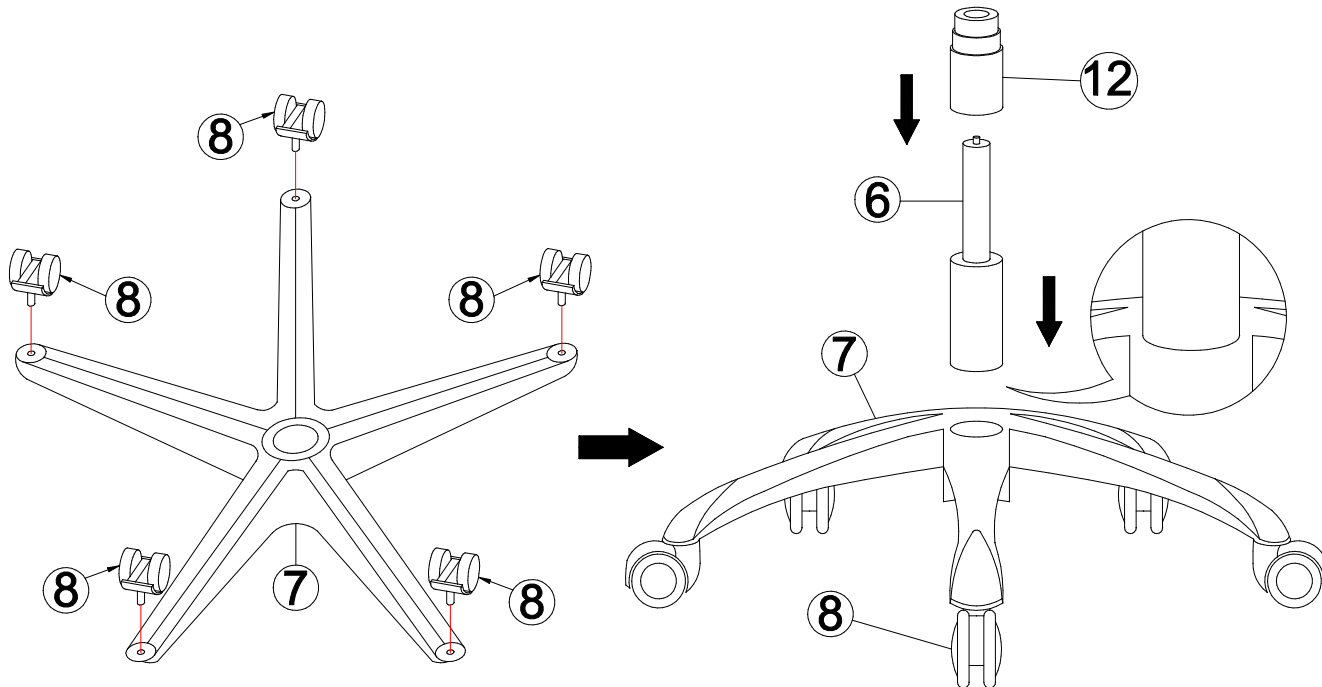
1. Attach the **Connection Plate (10)** to the **Chassis (5)** by using 3 pieces of **Bolts (A)** and 3 pieces of **Flat Washers (D)** and 3 pieces of **Spring Washers (E)** as shown.
2. Use **Allen Wrench (F)** to tighten all **Bolts (A)** clockwise as shown.



Hardware & Tools Required

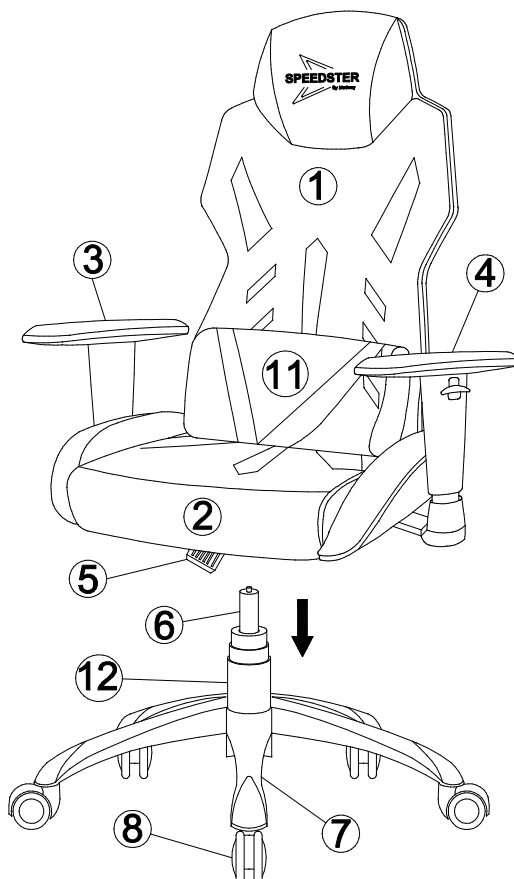
STEP 5:

1. Please put **Base (7)** on a carpeted or padded surface.
2. Insert 1 piece of **Castor (8)** into the **Base (7)** as shown by hand.
3. Repeat the same steps for the remaining 4 pieces of **Castors (7)**.
4. Carefully turn over the assembled **Base (7)** and Insert the **Cylinder Column (6)** as shown.
5. Insert the **Black Dust Cover (12)** to the **Cylinder Column (6)** as shown.



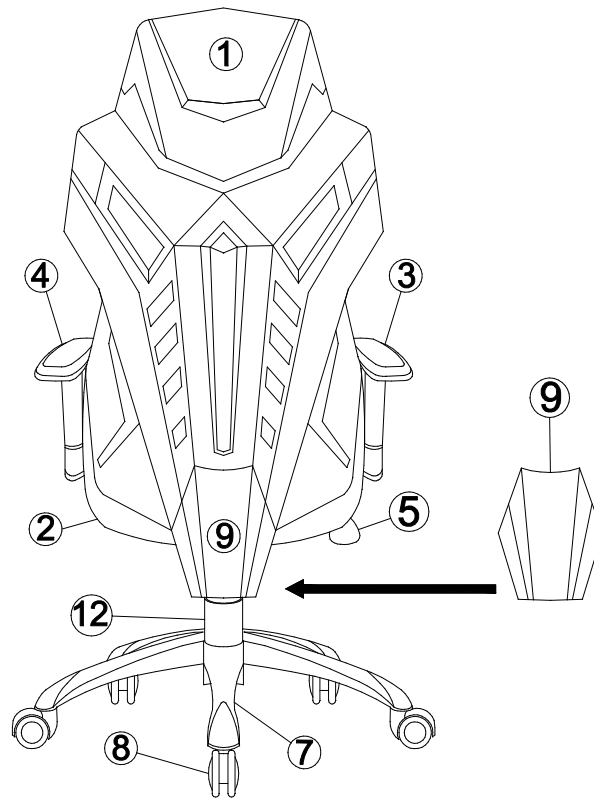
STEP 6:

1. Put the **Pillow (11)** between the **Seat (2)** and the **Back (3)** as shown.
2. Insert the **Chassis (5)** into the **Cylinder Column (6)** as shown.



STEP 7:

Insert the **Plastic cover (9)** to the **Back (1)** as shown.



Attention:

When you use the handle to adjust the height to be lower, please move away your feet from the base at the same time.

Your Gaming chair is ready to be used now!