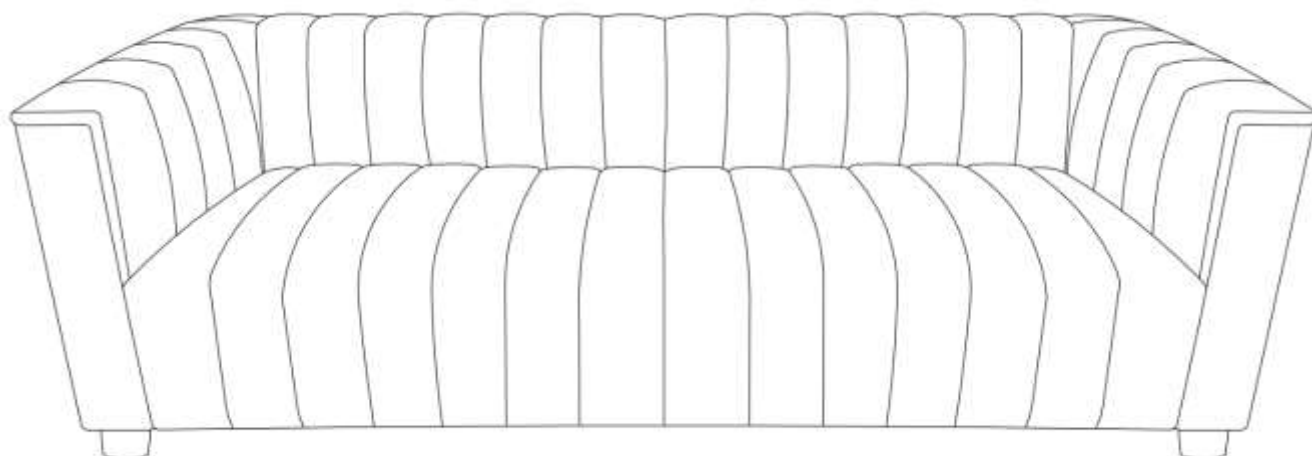


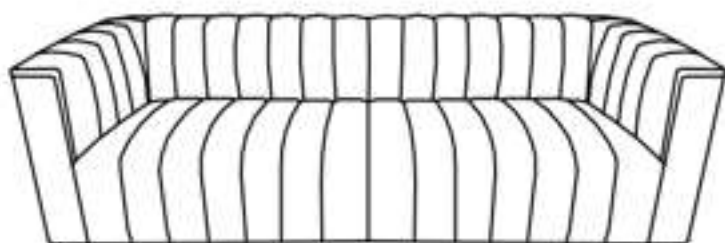
Thank you for purchasing the **MDOWAY SOFA**.

Before you start, here are some helpful advice:

1. We suggest you spend a short time reading through this leaflet and then follow the simple step-by-step instructions.
2. Owing to the size and weight of the sofa, we recommend that it is assembled by two adults, on a carpeted or padded area, in the room that it is intended for. Approximate assembly time: 10 minutes.
3. Please do not use any tools other than those provided or recommended in these instructions.
4. Please do not throw away any of the packaging or the instruction until you have checked all the components and hardware and the furniture is fully assembled. Please ensure that the packaging is disposed of in a safe and environmentally friendly way.
5. Assemble all components loosely until advised to tighten. Depending on use, it may be necessary to tighten the components from time to time, so please save the tools that have been provided.
6. Please keep all the pieces out of reach of children.



Components:



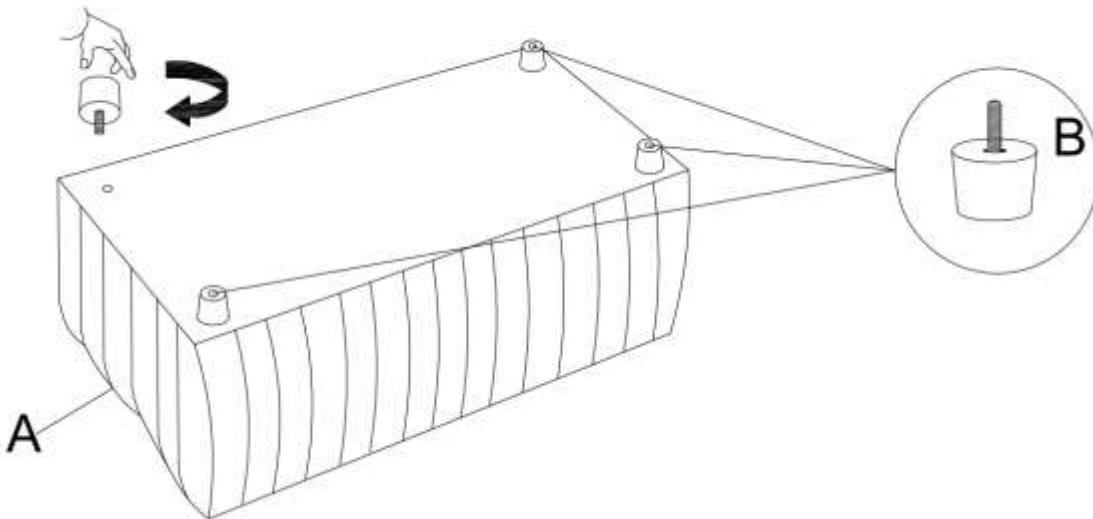
A. Sofa Body x1



B. Leg x4

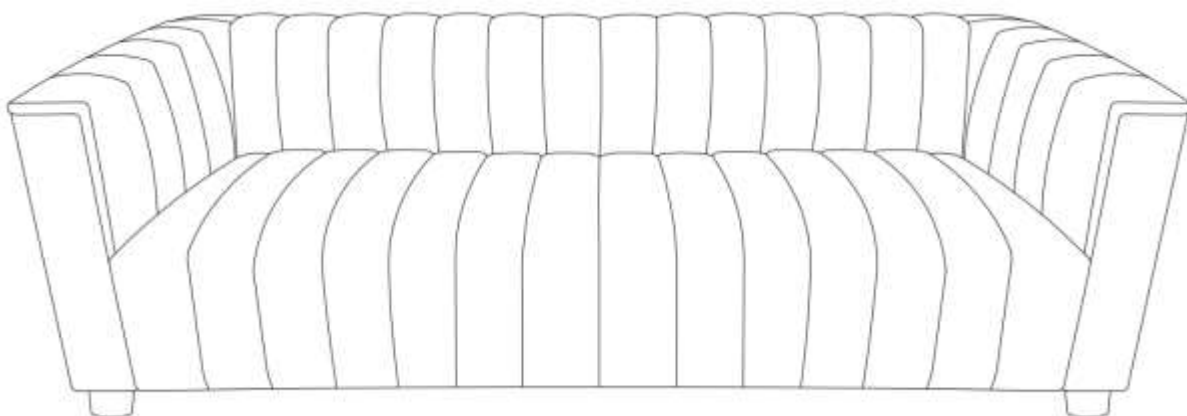
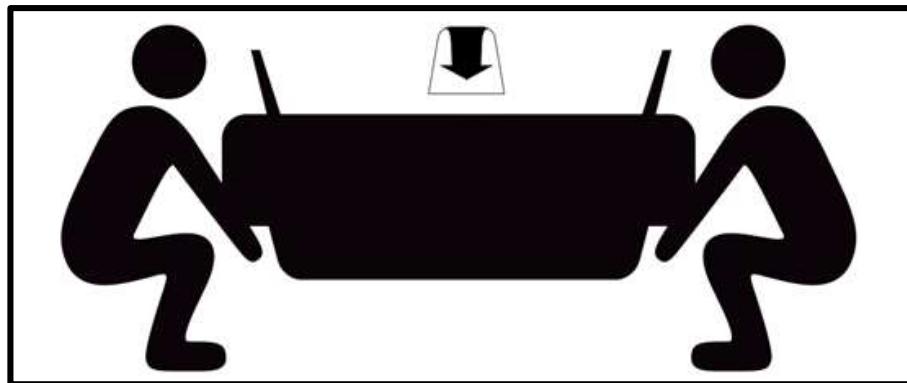
STEP 1:

1. Please put **Sofa body (A)** on a carpeted or padded surface.
2. Tighten 4 pieces of **Legs (B)** into the 4 corners of the **Sofa Body (A)** fully by hand as shown.



STEP 2:

Carefully turn over the assembled **Sofa Body (A)** and **Legs (B)** by two adults as shown.



Assembly is complete. Your Sofa is ready to enjoy now!