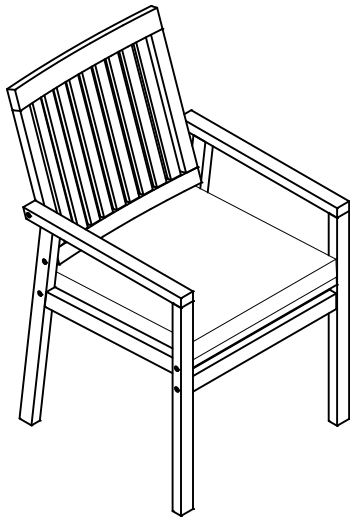


Thank you for purchasing the **MODWAY CHAIR!**

Before you start, here are some helpful advice:

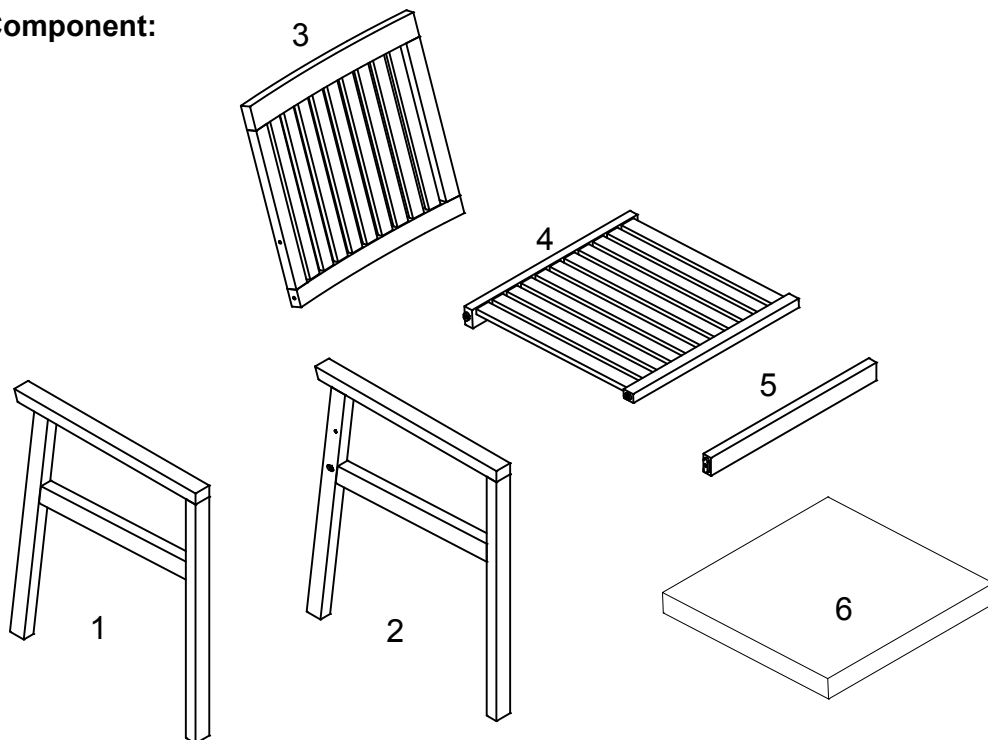
1. We suggest you spend a short time reading through this leaflet and then follow the simple step by step instructions.
2. Owing to the size and weight of the chair, we recommend that it is assembled by two adults, on a carpeted or padded area, in the room that it is intended for. Approximate assembly time: 30 minutes.
3. Please do not use any tools other than those provided or recommended in these instructions.
4. Please do not throw away any of the packaging or instructions until you have checked all the components and hardware and the furniture is fully assembled.
5. Assemble all components loosely until advised to tighten. Depending on use, it may be necessary to tighten the components from time to time, so please save the tools that have been provided.
6. Please keep all pieces out of reach of children.



### Hardware:

A		Screw M7x90mm	x 4
B		Screw M7x70mm	x 4
C		Screw M7x60mm	x 2
D		Allen Wrench M5	x 2

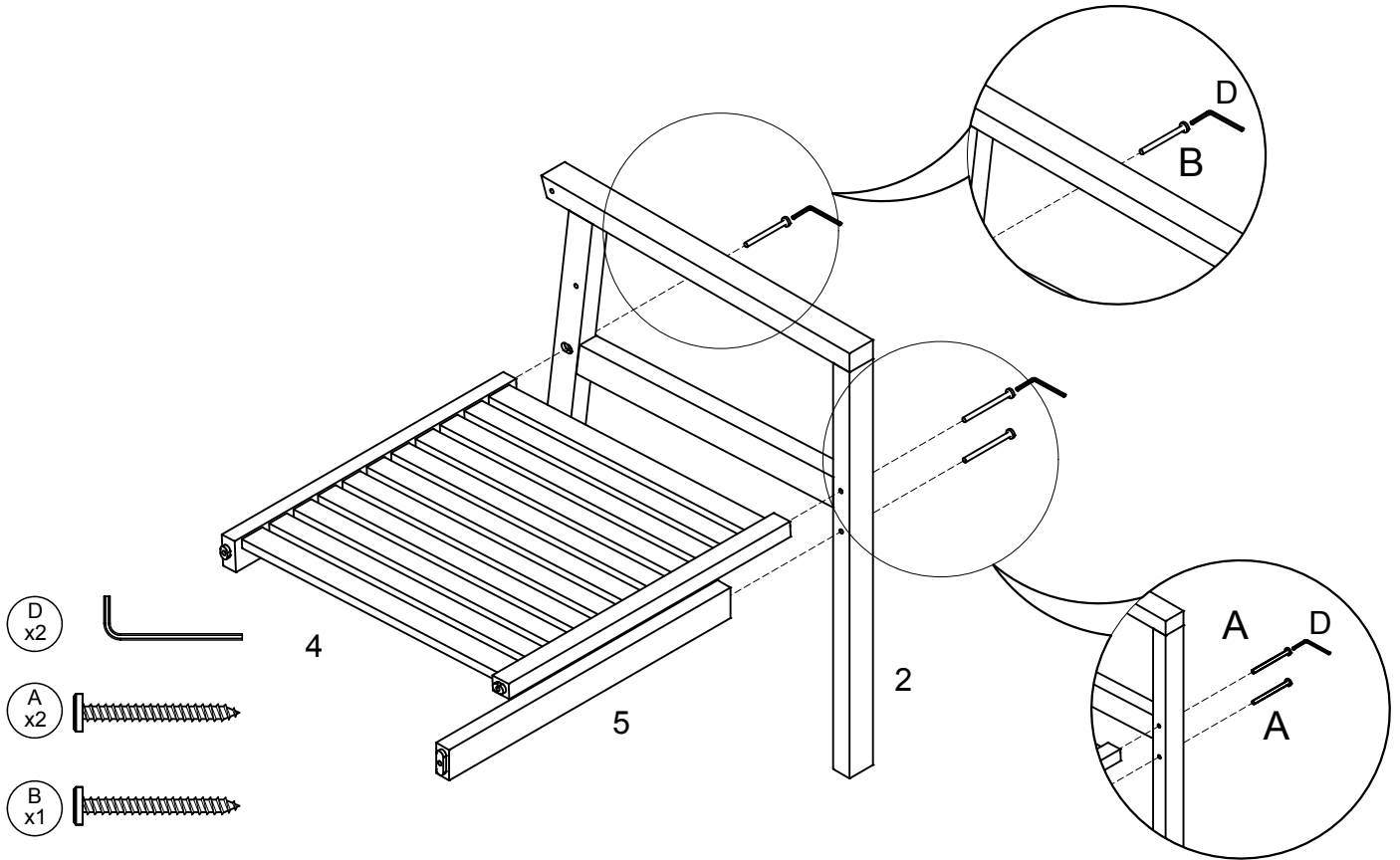
### Component:



1. Leg Frame 1	x1
2. Leg Frame 2	x1
3. Back	x1
4. Seat	x1
5. Brace Rail	x1
6. Seat Cushion	x1

## STEP 1:

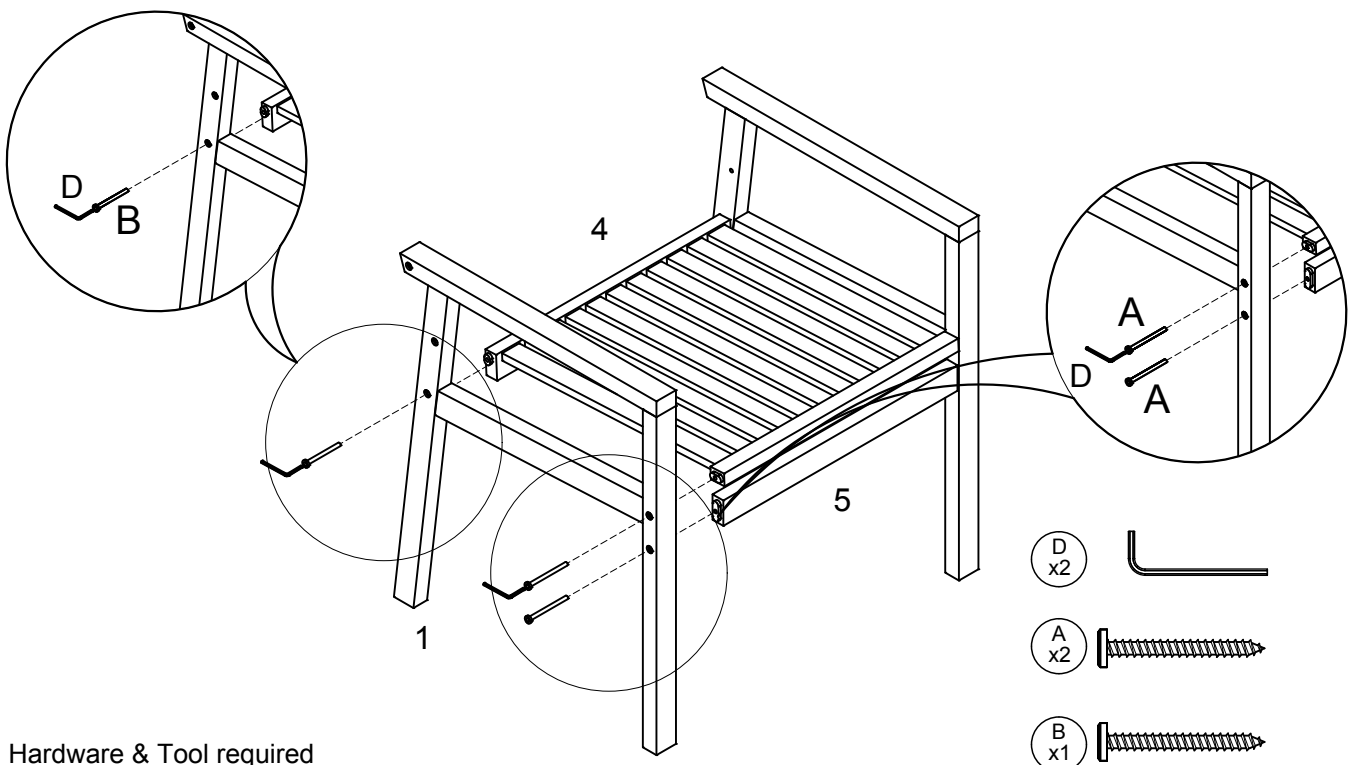
Attach **Legs frame 2 (2)** to **Seat (4)** and **Brace rail (5)**. Then insert 2 pieces of **Screw (A)** and 1 piece **Screw (B)** through **Legs frame 2 (2)** into **Seat (4)** and **Brace rail (5)**. Tighten using 2 pieces of **Allen Wrench (D)**.



Hardware & Tool required

## STEP 2:

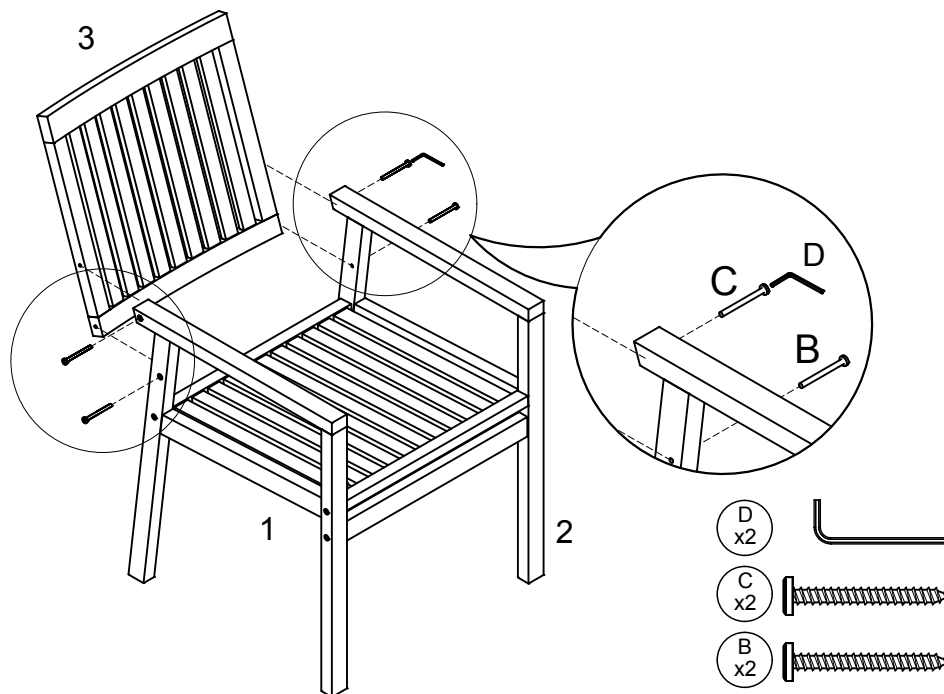
Attach **Legs frame 1 (1)** to **Seat (4)** and **Brace rail (5)**. Then insert 2 pieces of **Screw (A)** and 1 piece **Screw (B)** through **Legs frame 1 (1)** into **Seat (4)** and **Brace rail (5)**. Tighten using 2 pieces of **Allen Wrench (D)**.



Hardware & Tool required

## STEP 3:

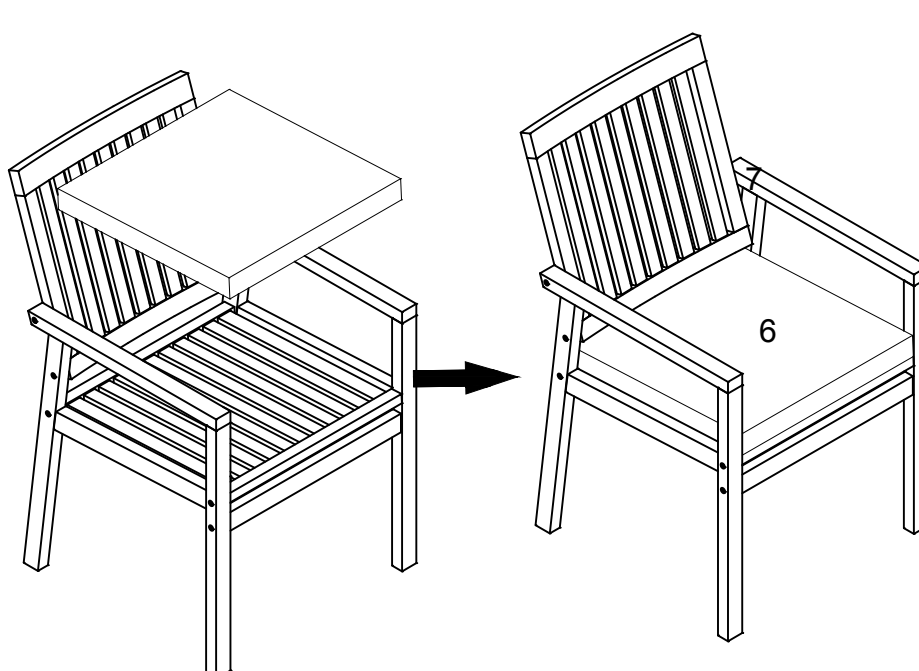
Attach **Back (3)** to the assembled **Leg frame (1&2)** and **Seat (4)**. Then insert 1 piece of **Screw (B)** and 1 piece **Screw (C)** through **Legs frame 1 (1)** into **Back (3)**. Insert 1 piece of **Screw (B)** and 1 piece **Screw (C)** through **Legs frame 2 (2)** into **Back (3)**. Tighten using **Allen Wrench (D)**.



Hardware & Tool required

## STEP 4:

Carefully position the assembled chair to the desired location.  
Put the **Seat Cushion (6)** into the assembled chair as shown.



Assembly is complete. Your chair is ready to be used now!