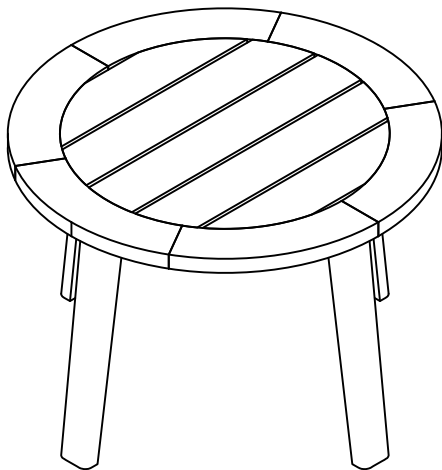


Thank you for purchasing the **MODWAY TABLE!**

Before you start, here are some helpful advice:

1. We suggest you spend a short time reading through this leaflet and then follow the simple step by step instructions.
2. Owing to the size and weight of the table, we recommend that it is assembled by two adults, on a carpeted or padded area, in the room that it is intended for. Approximate assembly time: 15 minutes.
3. Please do not use any tools other than those provided or recommended in these instructions.
4. Please do not throw away any of the packaging or instructions until you have checked all the components and hardware and the furniture is fully assembled.
5. Assemble all components loosely until advised to tighten. Depending on use, it may be necessary to tighten the components from time to time, so please save the tools that have been provided.
6. Please keep all pieces out of reach of children.

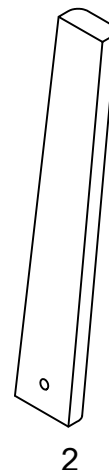
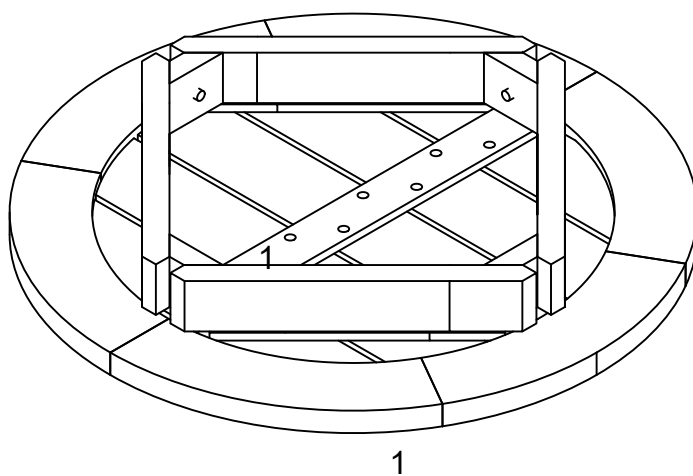


Hardware:

- | | | | |
|---|--|-----------------|-----|
| A | | Bolt M8x45mm | x 4 |
| B | | Washer M9x20mm | x 4 |
| C | | Allen Wrench M5 | x 1 |

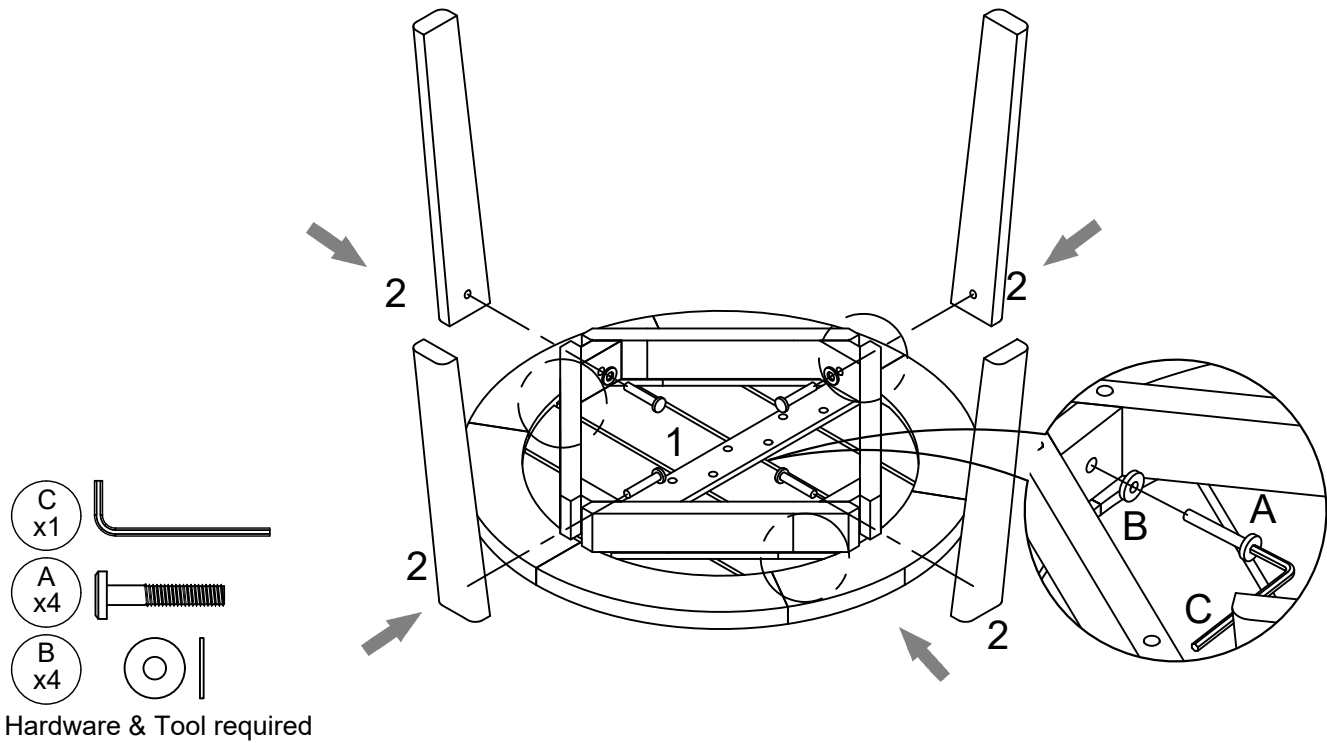
Component:

- | | |
|--------------|----|
| 1. Table Top | x1 |
| 2. Leg | x4 |



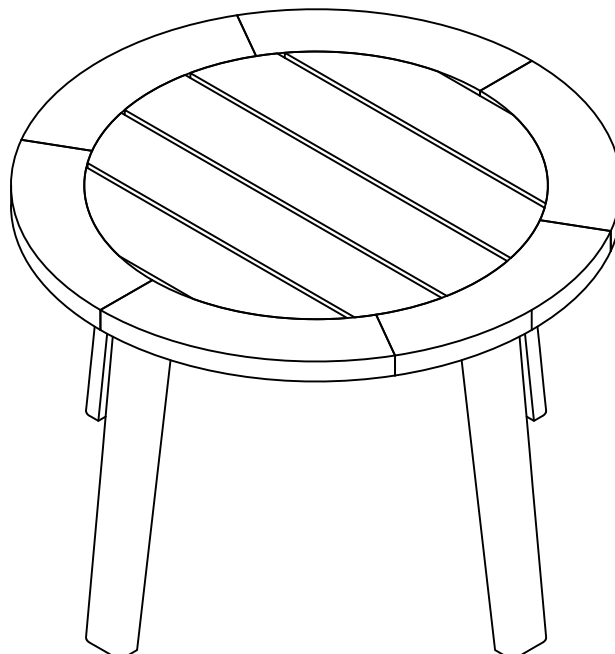
STEP 1:

Attach 1 piece of **Leg (2)** to **Table Top (1)**. Then install 1 piece of **Bolt (A)** and 1 piece of **Washer (B)** to the **Leg (2)**. Use **Allen Wrench (C)** to secure **Bolt (A)** as shown. Repeat the same steps for the other 3 pieces of **Legs (2)**.



STEP 2:

Carefully position the assembled table to the desired location.



Assembly is complete. Your table is ready to be used now!