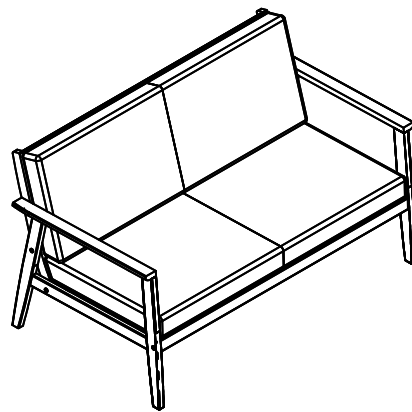
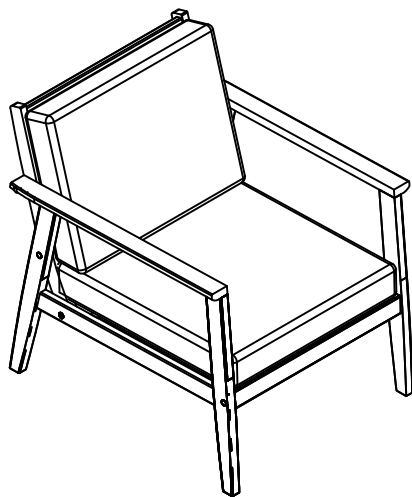


Thank you for purchasing the **MODWAY CHAIR!**

Before you start, here are some helpful advice:

1. We suggest you spend a short time reading through this leaflet and then follow the simple step by step instructions.
2. Owing to the size and weight of the chair, we recommend that it is assembled by two adults, on a carpeted or padded area, in the room that it is intended for. Approximate assembly time: 30 minutes.
3. Please do not use any tools other than those provided or recommended in these instructions.
4. Please do not throw away any of the packaging or instructions until you have checked all the components and hardware and the furniture is fully assembled.
5. Assemble all components loosely until advised to tighten. Depending on use, it may be necessary to tighten the components from time to time, so please save the tools that have been provided.
6. Please keep all pieces out of reach of children.



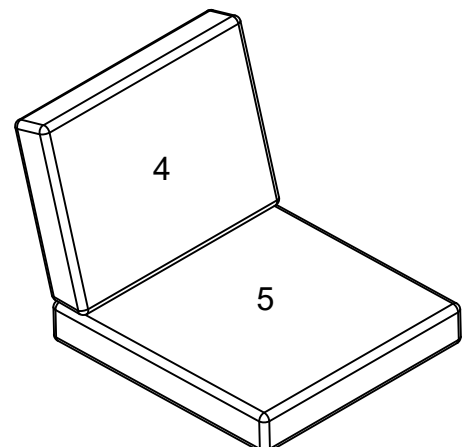
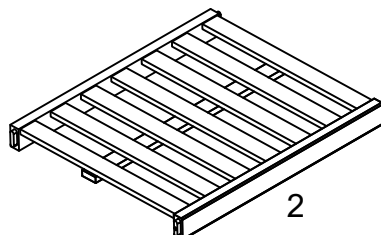
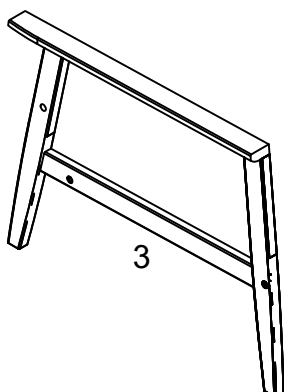
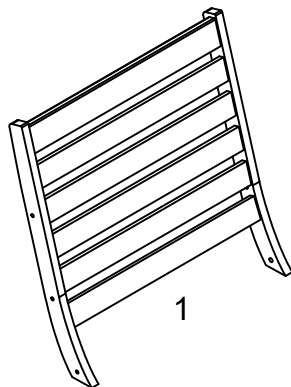
The assembly steps are the same as single chair

### Hardware:

A		Bolt M6x60mm	x 2
B		Nut M6	x 2
C		Bolt M6x35mm	x 4
D		Cap M6	x 4
E		Screw M6x45mm	x 2
F		Allen Wrench M4	x 2

### Component:

1. Back	x1
2. Seat	x1
3. Leg Frame	x2
4. Back Cushion	x1
5. Seat Cushion	x1



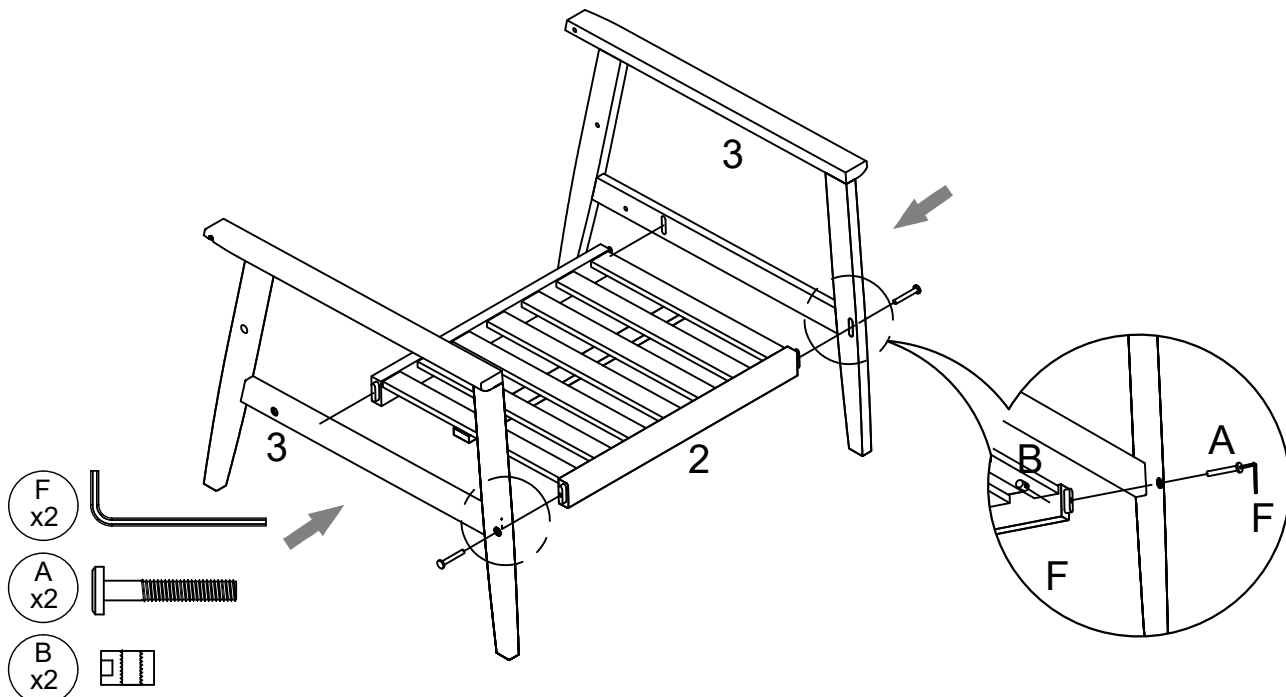
## STEP 1:

Attach 1 piece of **Leg Frame (3)** to **Seat (2)** as shown.

Insert 1 piece of **Nut (B)** into **Seat (2)**, then insert 1 piece of **Bolt (A)** through **Leg Frame (3)** into **Seat (2)**.

Tighten with 2 pieces of **Allen Wrench (F)**.

Repeat the same steps for the remaining **Leg Frame (3)**.



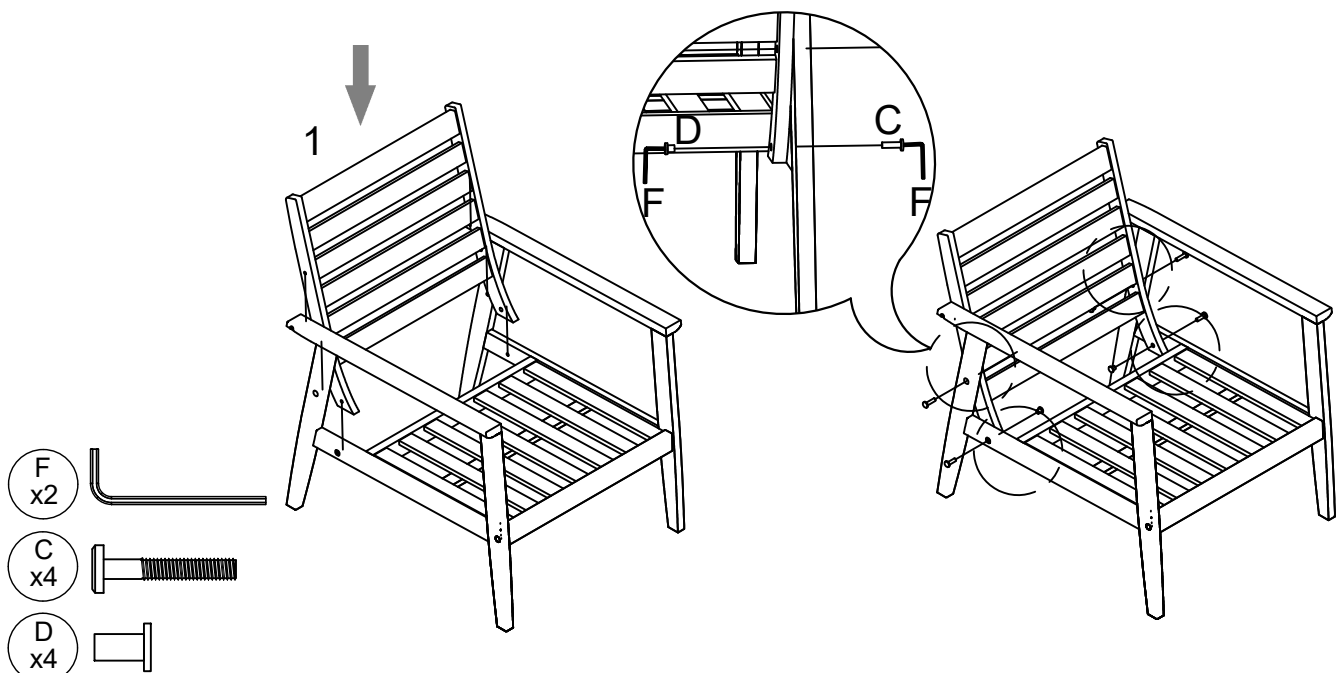
Hardware & Tool required

## STEP 2:

Attach **Back (1)** to **Leg Frame (3)** as shown.

Insert 4 pieces of **Caps (D)** into **Back (1)**, then insert 4 pieces of **Bolt (C)** through **Leg Frame (3)** into **Back (1)**.

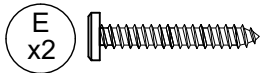
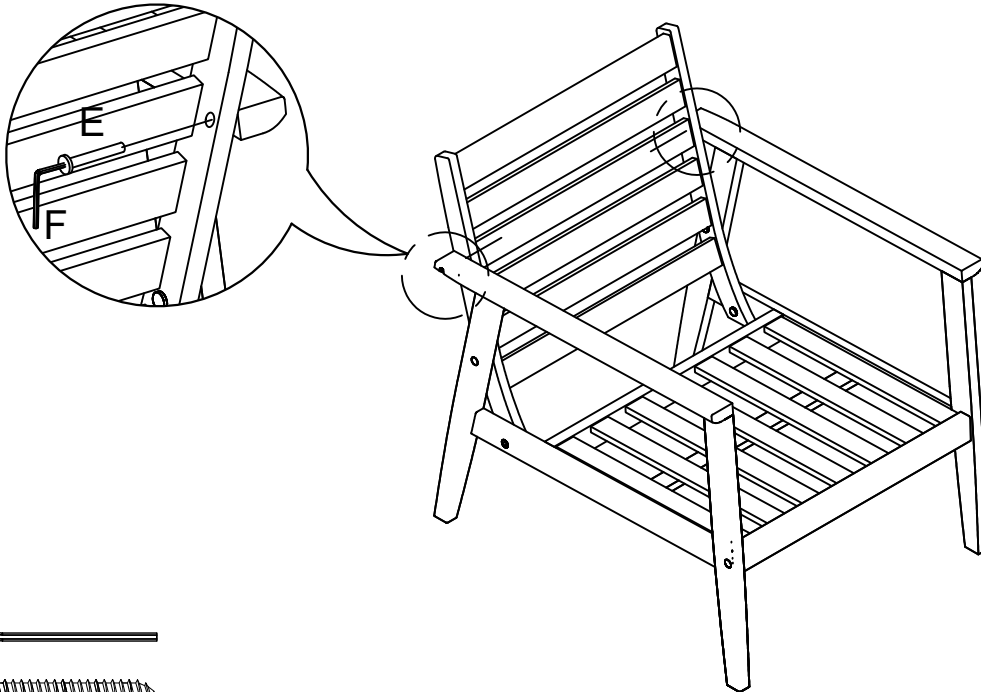
Tighten with 2 pieces of **Allen Wrench (F)**.



Hardware & Tool required

## STEP 3:

Insert 2 pieces of **Screws (E)** through **Back (1)** into **Leg Frame (3)**.  
Tighten with **Allen Wrench (F)**.

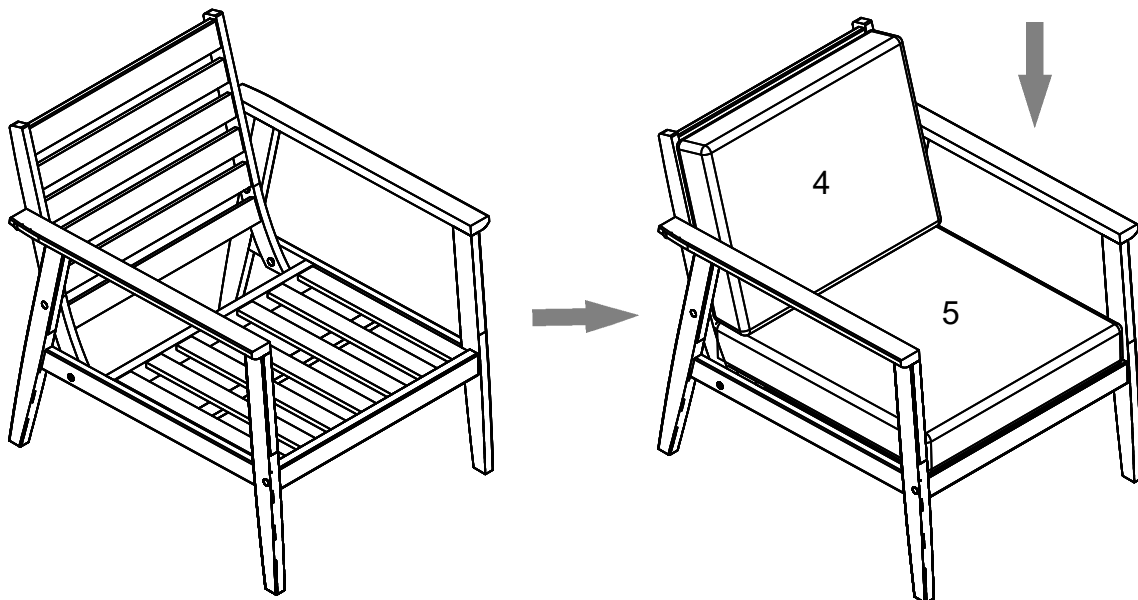


Hardware & Tool required

## STEP 4:

Carefully position the assembled chair to the desired location.

Put 1 piece of the **Back Cushion (4)** and 1 piece of the **Seat Cushion (5)** into the assembled chair as shown.



Assembly is complete. Your chair is ready to be used now!