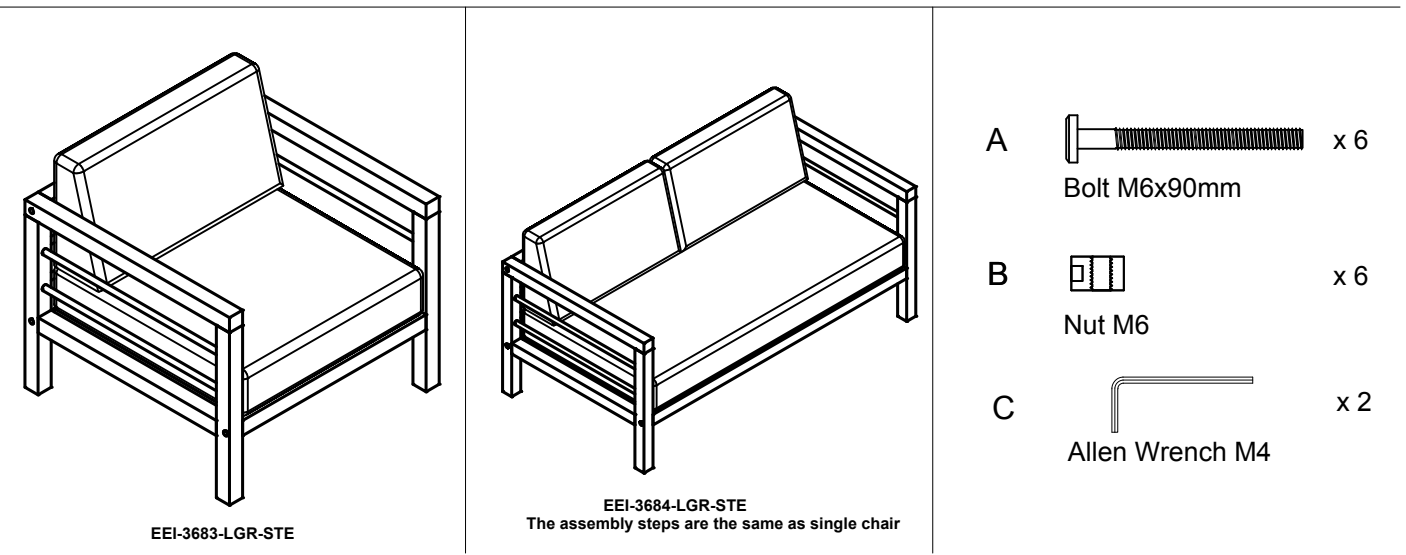


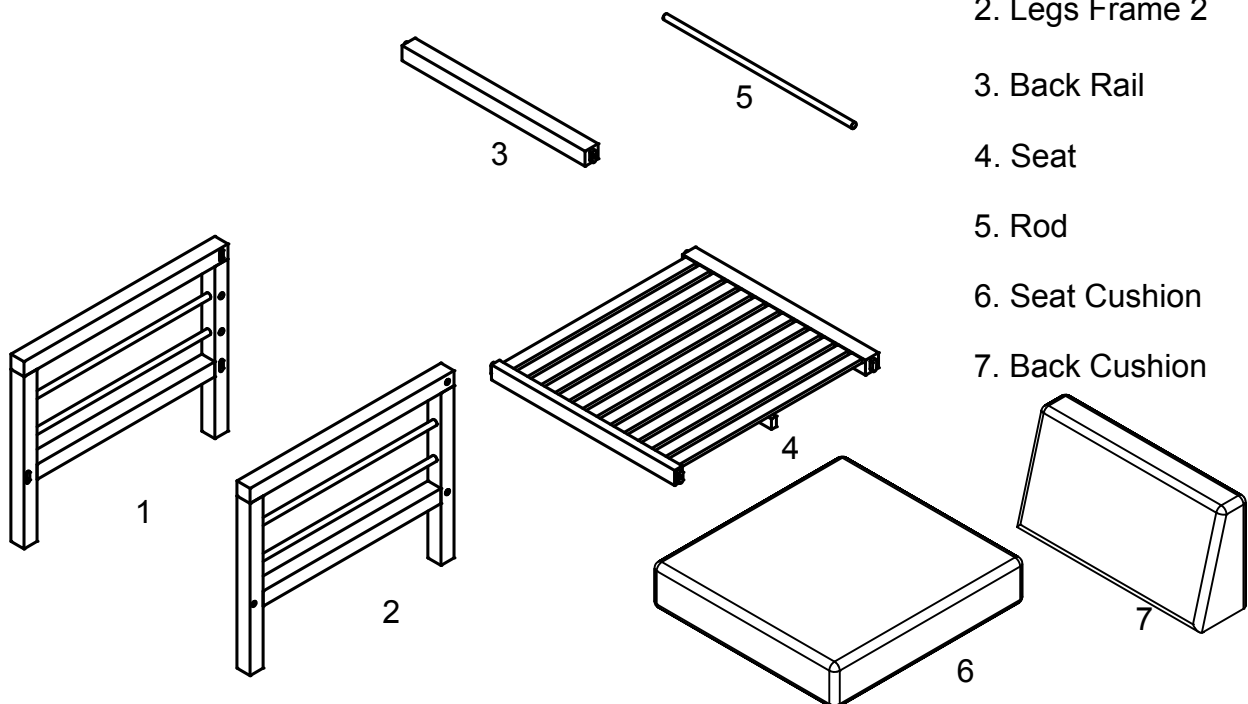
Thank you for purchasing the **MODWAY CHAIR!**

Before you start, here are some helpful advice:

1. We suggest you spend a short time reading through this leaflet and then follow the simple step by step instructions.
2. Owing to the size and weight of the chair, we recommend that it is assembled by two adults, on a carpeted or padded area, in the room that it is intended for. Approximate assembly time: 30 minutes.
3. Please do not use any tools other than those provided or recommended in these instructions.
4. Please do not throw away any of the packaging or instructions until you have checked all the components and hardware and the furniture is fully assembled.
5. Assemble all components loosely until advised to tighten. Depending on use, it may be necessary to tighten the components from time to time, so please save the tools that have been provided.
6. Please keep all pieces out of reach of children.

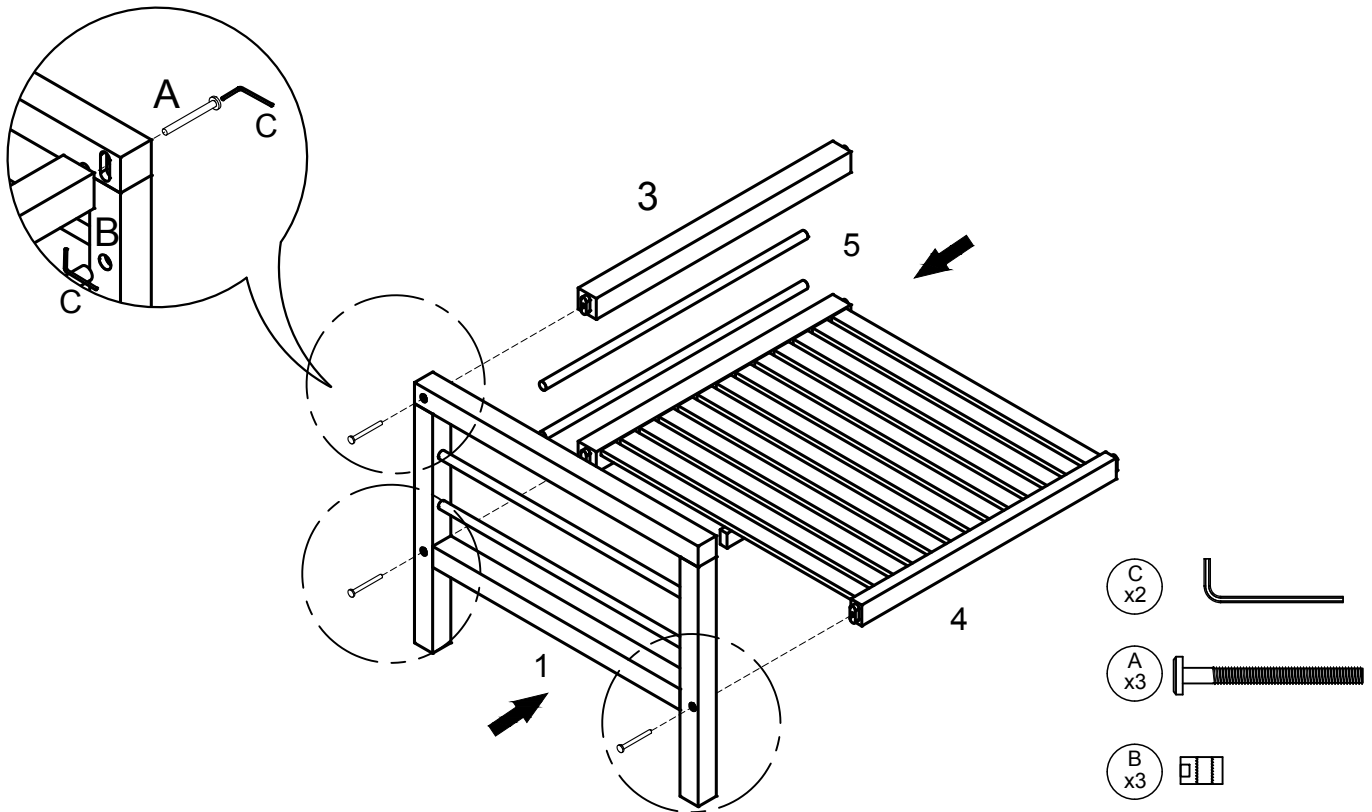


Component:



STEP 1:

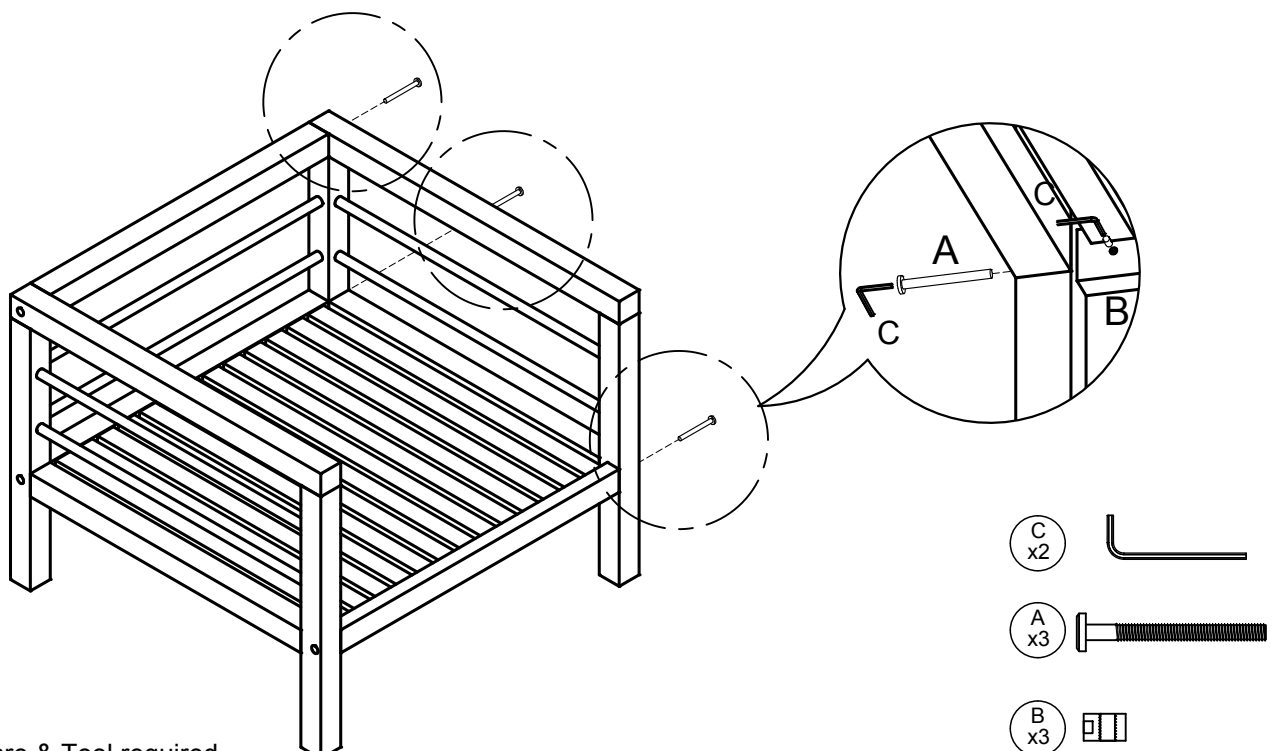
Attach **Legs frame 1 (1)** to the assembled **Seat (4)**, **Back Rail (3)** and **Aluminum Rods (5)** as shown. Then insert 3 pieces of **Bolts (A)** through **Legs Frame 1 (1)** into **Seat (4)** and **Back Rail (3)**. Tighten with 2 pieces of **Allen Wrench (C)**.



Hardware & Tool required

STEP 2:

Attach **Legs frame 2 (2)** to the assembled **Seat (4)**, **Back Rail (3)** and **Aluminum Rods (5)** as shown. Then insert 3 pieces of **Bolts (A)** through **Legs Frame 2 (1)** into **Seat (4)** and **Back Rail (3)**. Tighten with 2 pieces of **Allen Wrench (C)**.



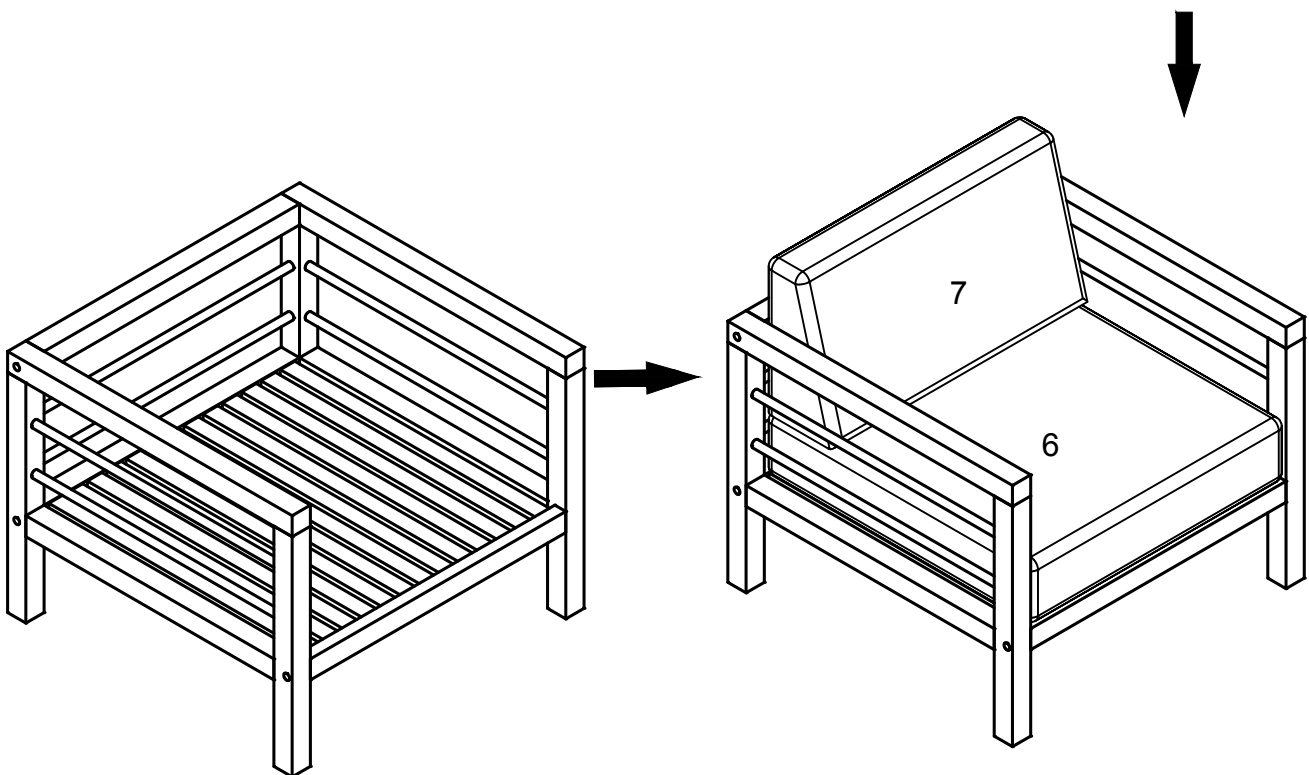
Hardware & Tool required

STEP 3:

Carefully position the assembled chair to the desired location.

Put the **Seat Cushion (6)** and **Back Cushion (7)** into the assembled chair as shown.

Note: EEI-3684 with 2 pieces of **Back Cushions (7)**.



Assembly is complete. Your chair is ready to be used now!