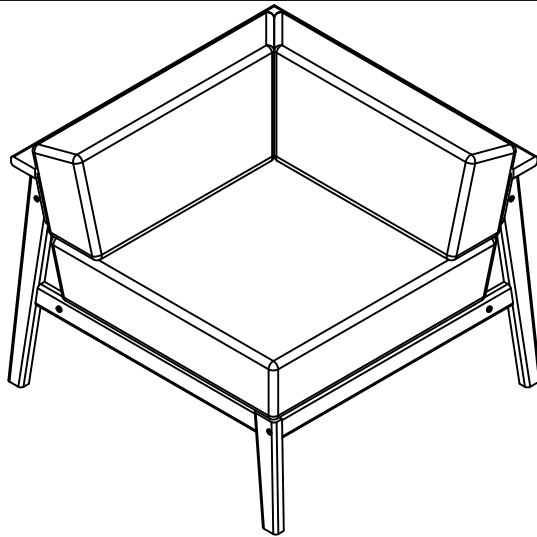


# EEI-3680-NAT-TAU CORNER






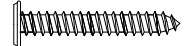

Thank you for purchasing the **MODWAY CORNER!**

Before you start, here are some helpful advice:

1. We suggest you spend a short time reading through this leaflet and then follow the simple step by step instructions.
2. Owing to the size and weight of the corner, we recommend that it is assembled by two adults, on a carpeted or padded area, in the room that it is intended for. Approximate assembly time: 30 minutes.
3. Please do not use any tools other than those provided or recommended in these instructions.
4. Please do not throw away any of the packaging or instructions until you have checked all the components and hardware and the furniture is fully assembled.
5. Assemble all components loosely until advised to tighten. Depending on use, it may be necessary to tighten the components from time to time, so please save the tools that have been provided.
6. Please keep all pieces out of reach of children.

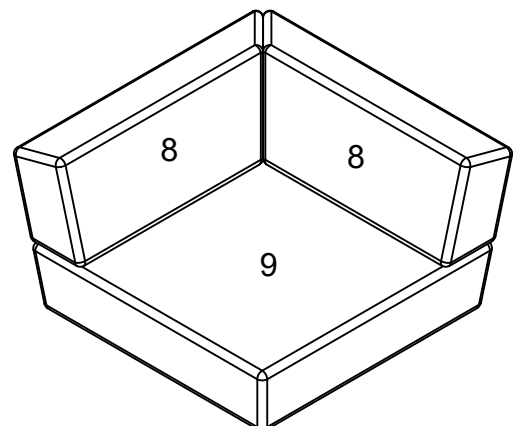
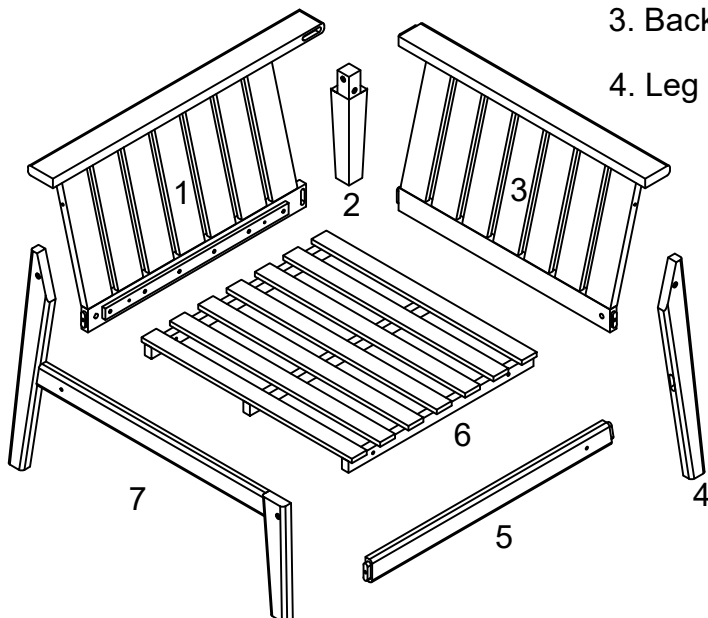


## Hardware:

A		Bolt M6x110mm	x 2
B		Bolt M6x70mm	x 3
C		Nut M6	x 5
D		Screw M6x60mm	x 3
E		Screw M6x45mm	x 2
F		Screw M6x40mm	x 4
G		Allen Wrench M4	x 2

## Component:

1. Back 1	x1	5. Brace Rail	x1
2. Leg 1	x1	6. Seat	x1
3. Back 2	x1	7. Leg Frame	x1
4. Leg 2	x1	8. Back Cushions	x2
		9. Seat Cushion	x1

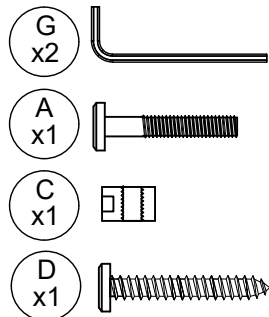
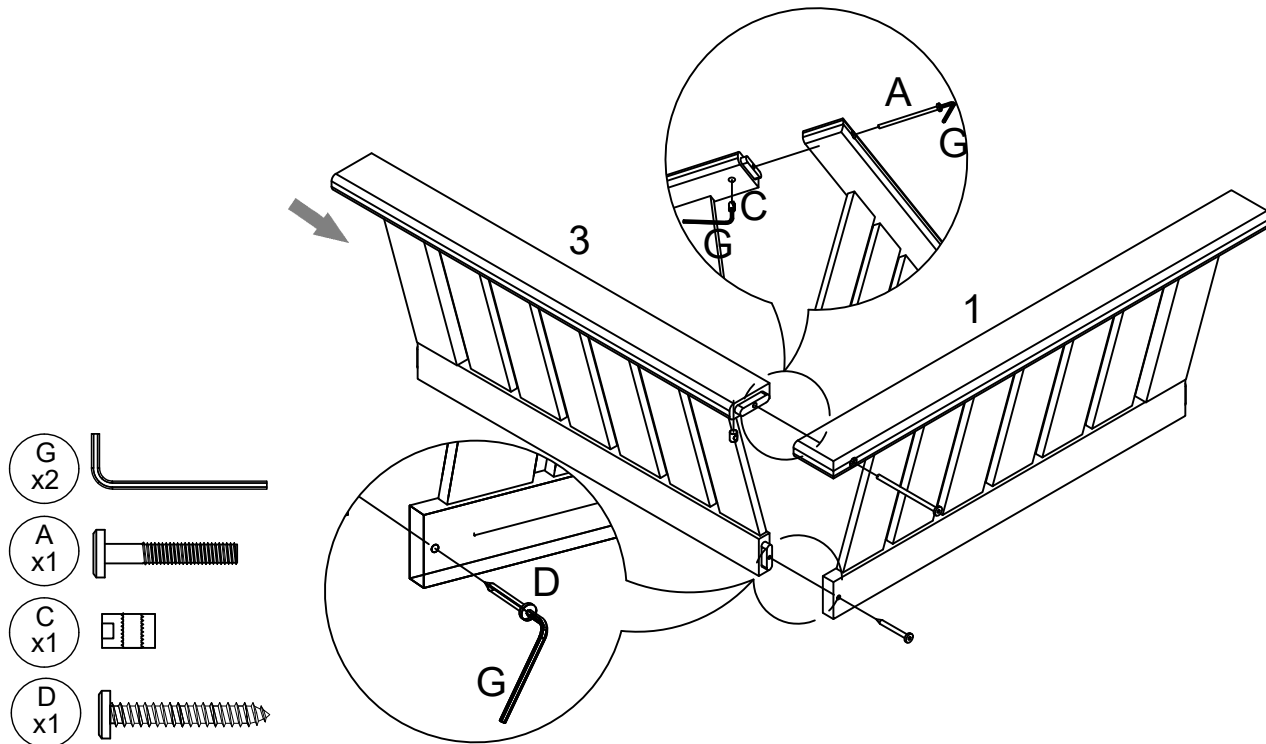


## STEP 1:

Attach **Back 2 (3)** to **Back 1 (1)** as shown.

Insert **Nut (C)** into **Back 2 (3)**, then insert 1 piece of **Bolt (A)** and 1 piece of **Screw (D)** through **Back 1 (1)** into **Back 2 (3)**.

Tighten with 2 pieces of **Allen Wrench (G)**.



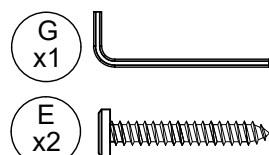
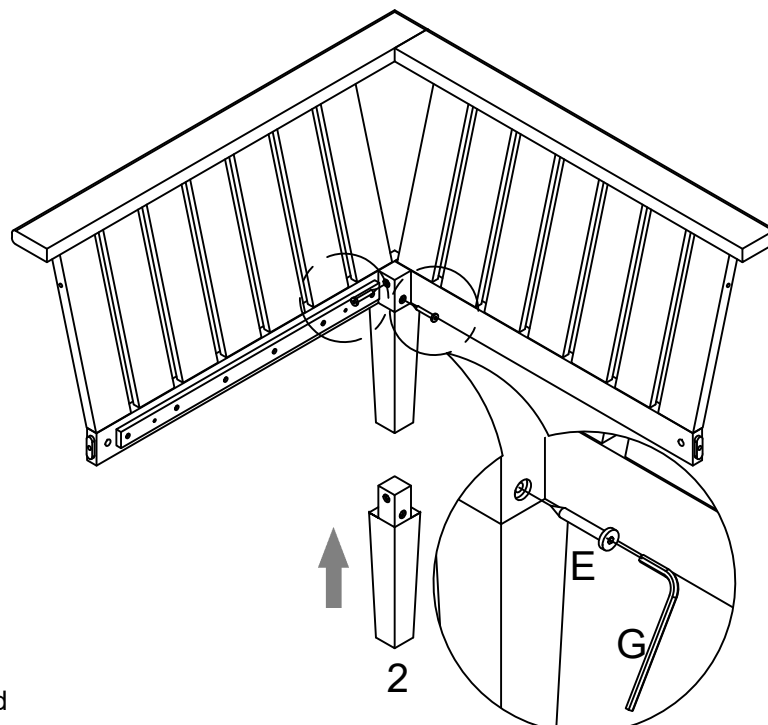
Hardware & Tool required

## STEP 2:

Attach **Leg 1 (2)** to **Back 1 (1)**, **Back 2 (3)** as shown.

Then insert 2 pieces of **Screws (E)** through **Leg 1 (2)** into **Back 1 (1)**, **Back 2 (3)**.

Tighten with **Allen Wrench (G)**.



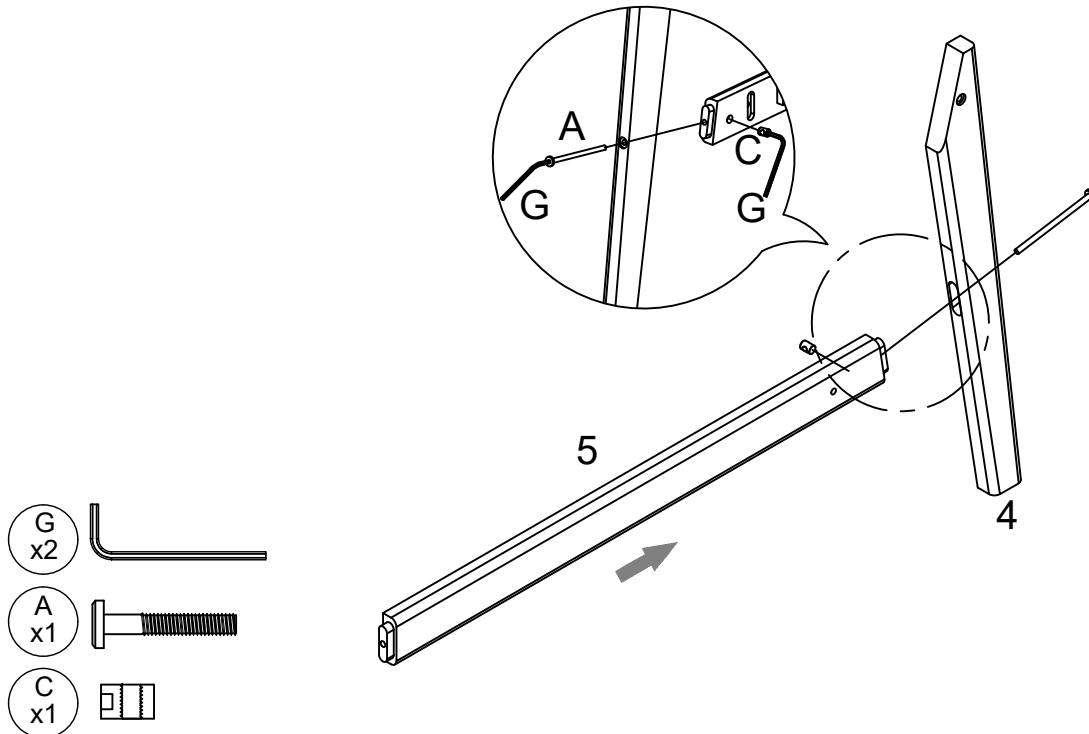
Hardware & Tool required

## STEP 3:

Attach **Brace Rail (5)** to **Leg 2 (4)** as shown.

Insert **Nut (C)** into **Brace Rail (5)**, then insert 1 piece of **Bolt (A)** through **Leg 2 (4)** into **Brace Rail (5)**.

Tighten with 2 pieces of **Allen Wrench (G)**.



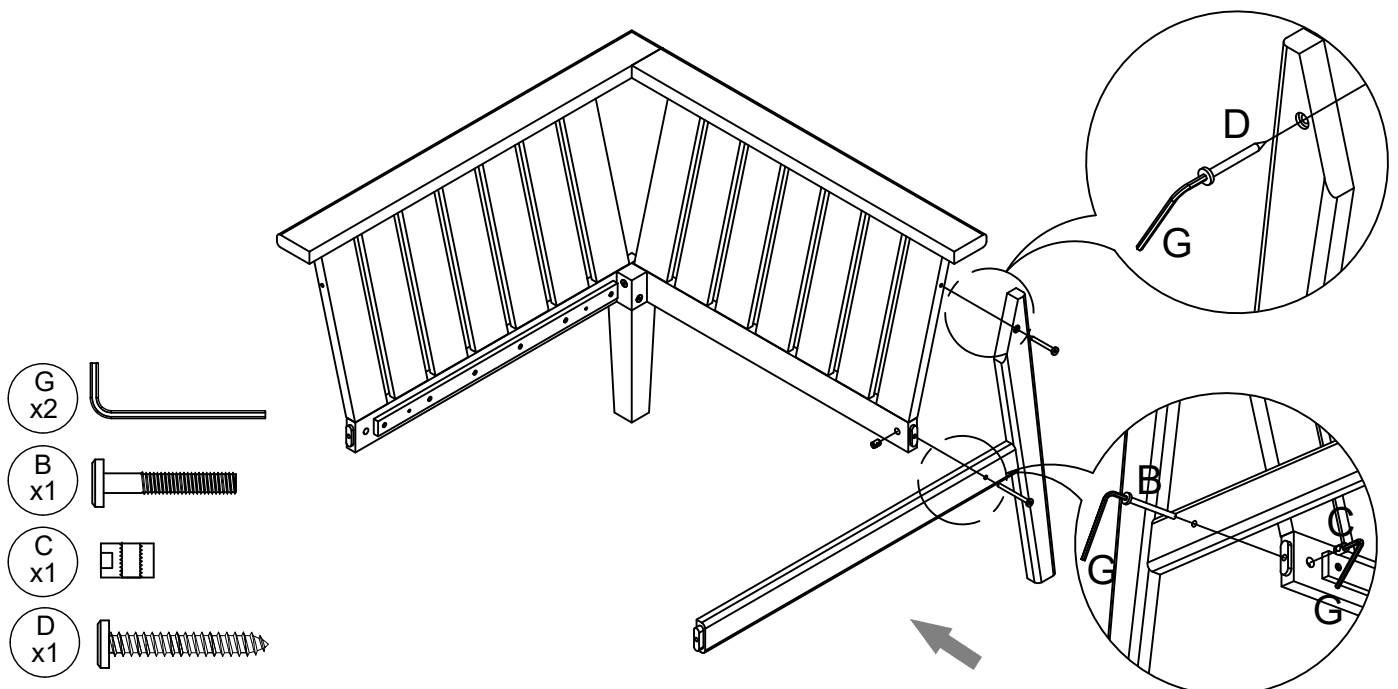
Hardware & Tool required

## STEP 4:

Attach **Brace Rail (5)**, **Leg 2 (4)** to **Back 2 (3)** as shown.

Insert **Nut (C)** into **Back 2 (3)**, then insert 1 piece of **Bolt (B)** and 1 piece of **Screw (D)** through **Brace Rail (5)**, **Leg 2 (4)** into **Back 2 (3)**.

Tighten with 2 pieces of **Allen Wrench (G)**.



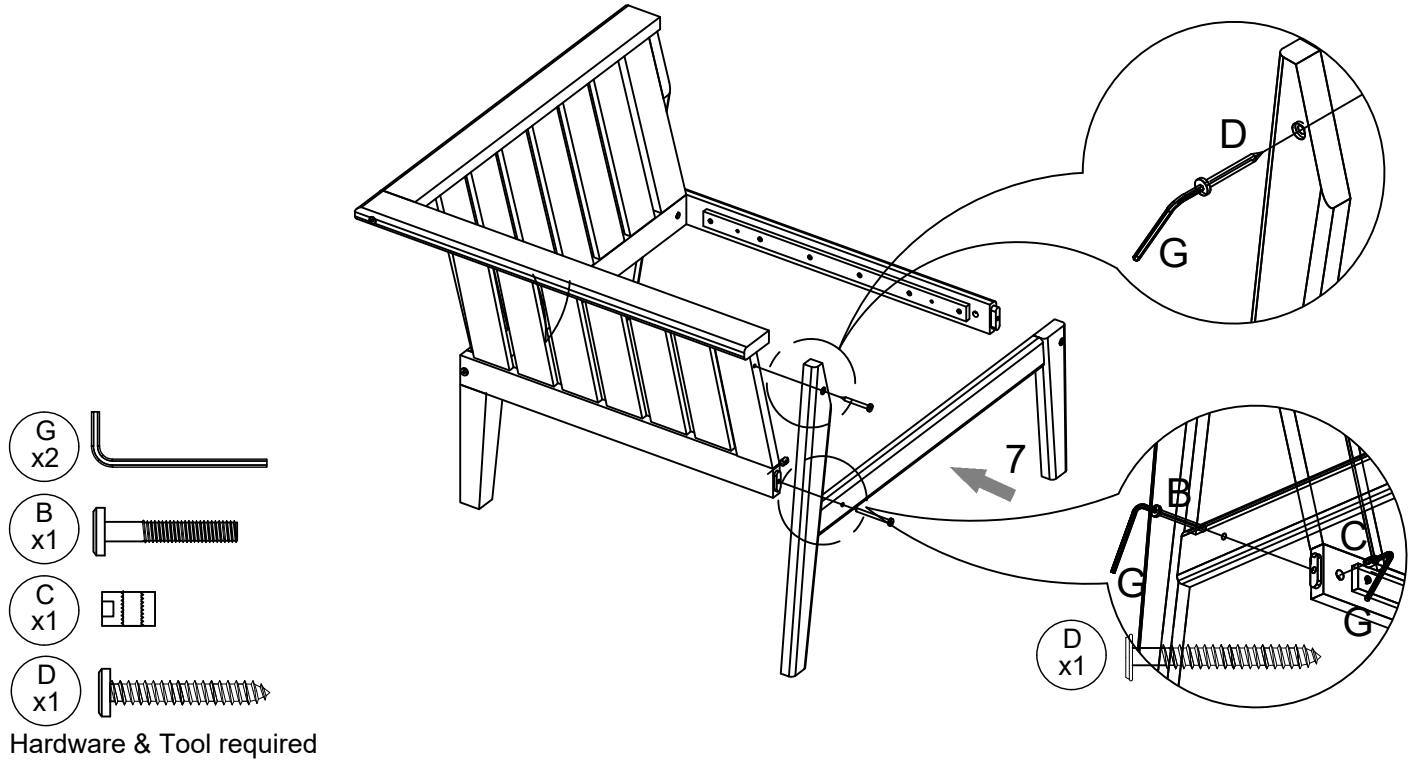
Hardware & Tool required

## STEP 5:

Attach **Leg Frame (7)** to **Back 1 (1)**, **Brace Rail (5)** as shown.

Insert 1 piece of **Nut (C)** into **Back 1 (1)**, then insert 1 piece of **Bolt (B)** and 1 piece of **Screw (D)** through **Leg Frame (7)** into **Back 1 (1)**.

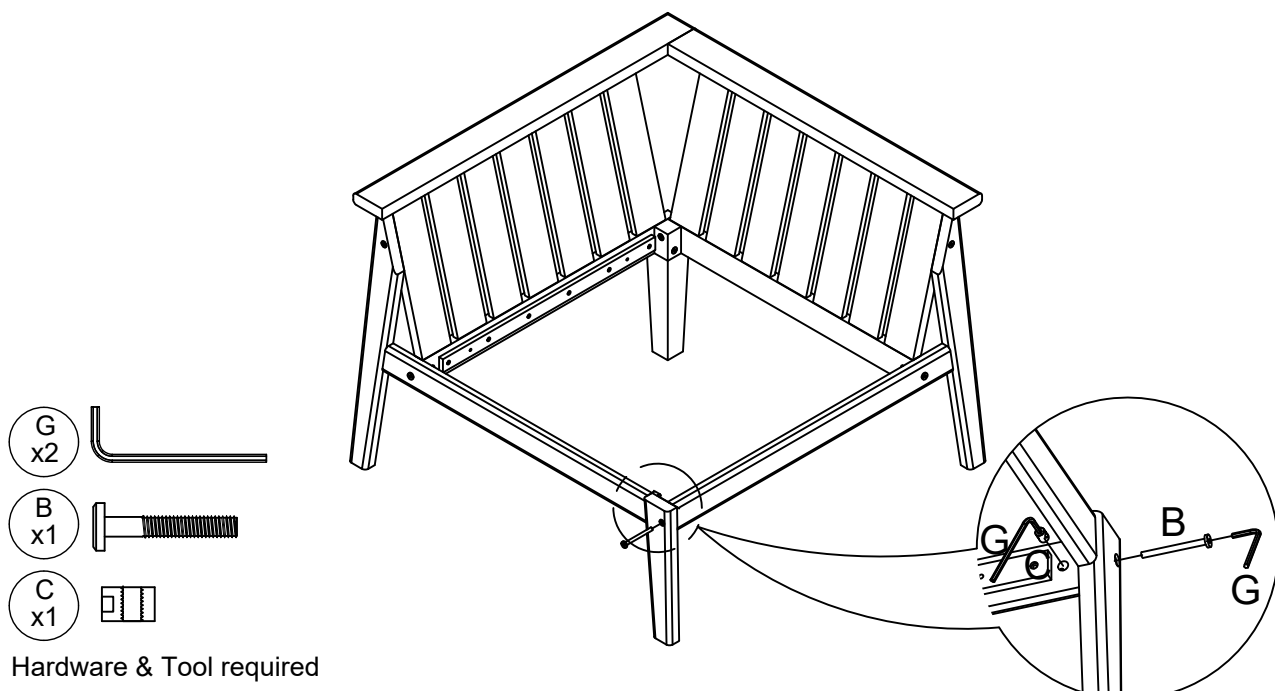
Tighten with 2 pieces of **Allen Wrench (G)**.



## STEP 6:

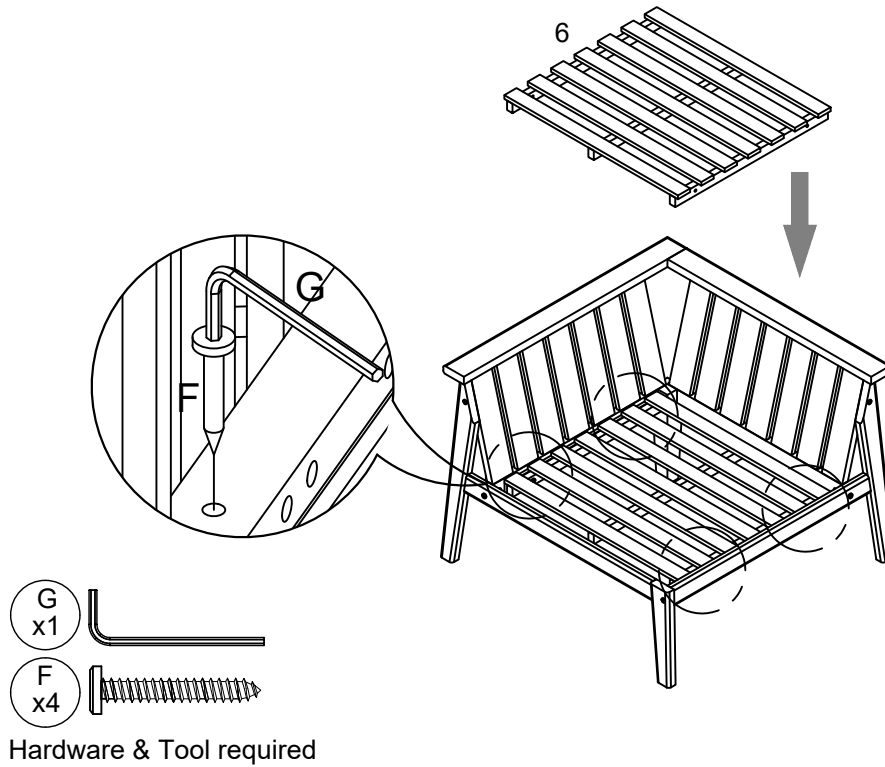
Insert 1 piece of **Nut (C)** into **Brace Rails (5)**, then insert 1 piece of **Bolt (B)** through **Leg Frame (7)** into **Brace Rails (5)**.

Tighten with 2 pieces of **Allen Wrench (G)**.



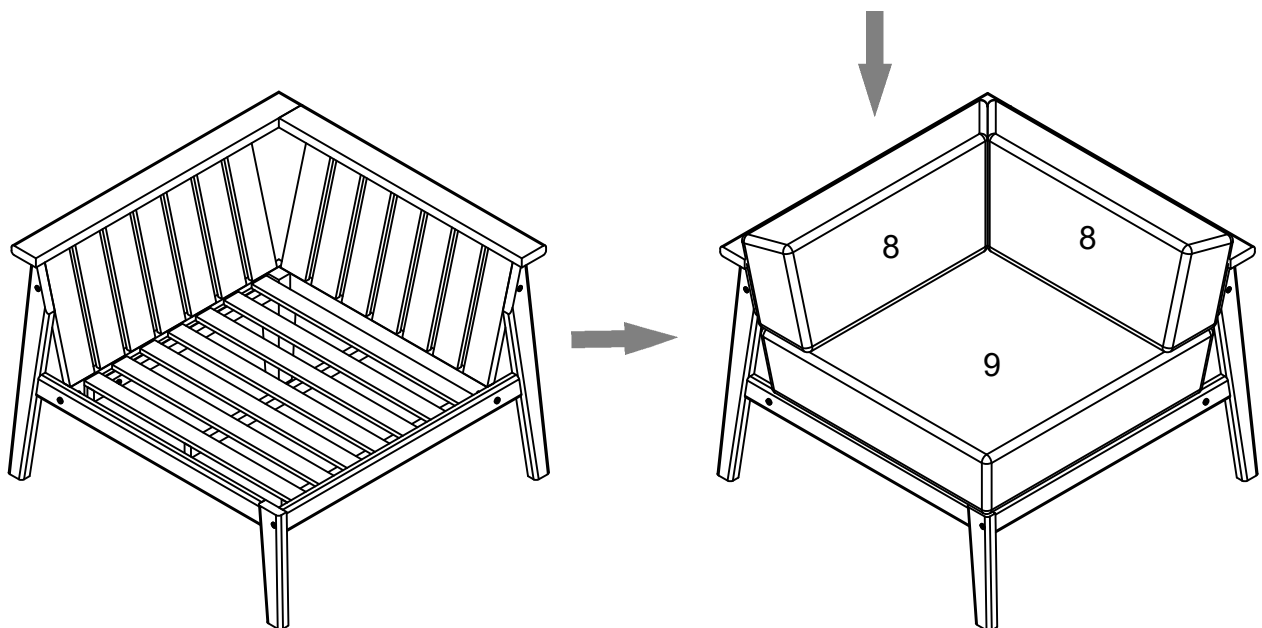
## STEP 7:

Attach **Seat (6)** to **Back 1(1)**, **Brace Rail (5)** and **Leg Frame (7)** as shown.  
Then insert 4 piece of **Screws (F)** through **Seat (6)** into **Back 1(1)**, **Brace Rail (5)**.  
Tighten with **Allen Wrench (G)**.



## STEP 8:

Carefully position the assembled corner to the desired location.  
Put 2 pieces of the **Back Cushions (8)** and 1 piece of the **Seat Cushion (9)** into the assembled corner as shown.



Assembly is complete. Your corner is ready to be used now!