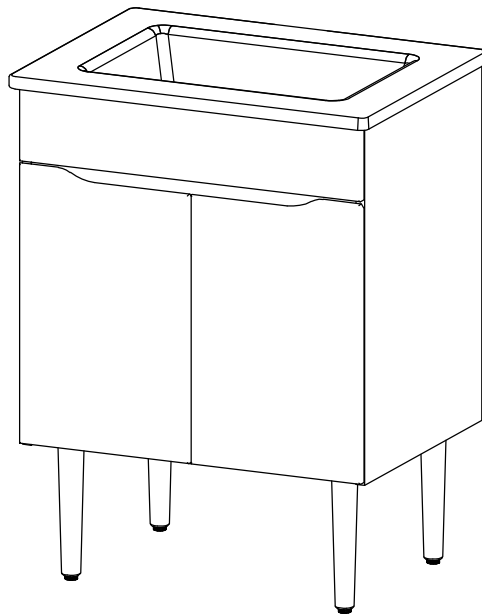


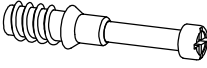



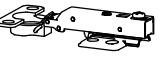
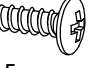


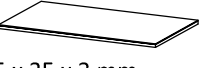
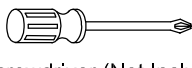
Thank you for purchasing the **MODWAY CABINET** !

Before you start, here are some helpful advice:

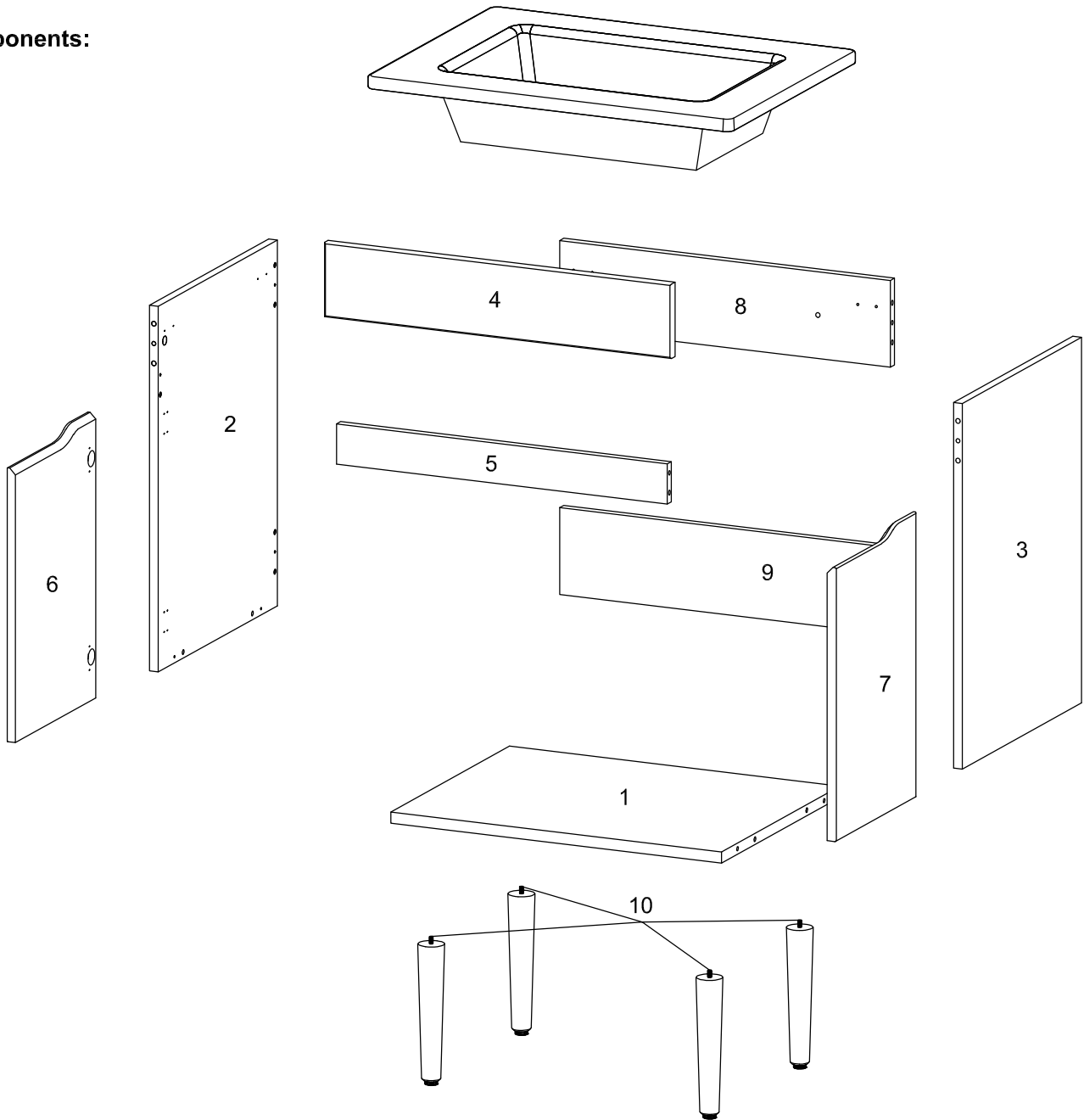
1. We suggest you spend a short time reading through this leaflet and then follow the simple step-by-step instructions.
2. Owing to the size and weight of the Cabinet, we recommend that it is assembled by two adults, on a carpeted or padded area, in the room that it is intended for. Approximate assembly time: 60 minutes.
3. Please do not use any tools other than those Provided or recommended in these instructions.
4. Please do not throw away any of the packaging or instructions until you have checked all the components and hardware and the furniture is fully assembled.
5. Assemble all components loosely until advised to tighten. Depending on use, it may be necessary to tighten the components from time to time, so please save the tools that have been Provided.
6. Please keep all pieces out of reach of children.



Hardware :

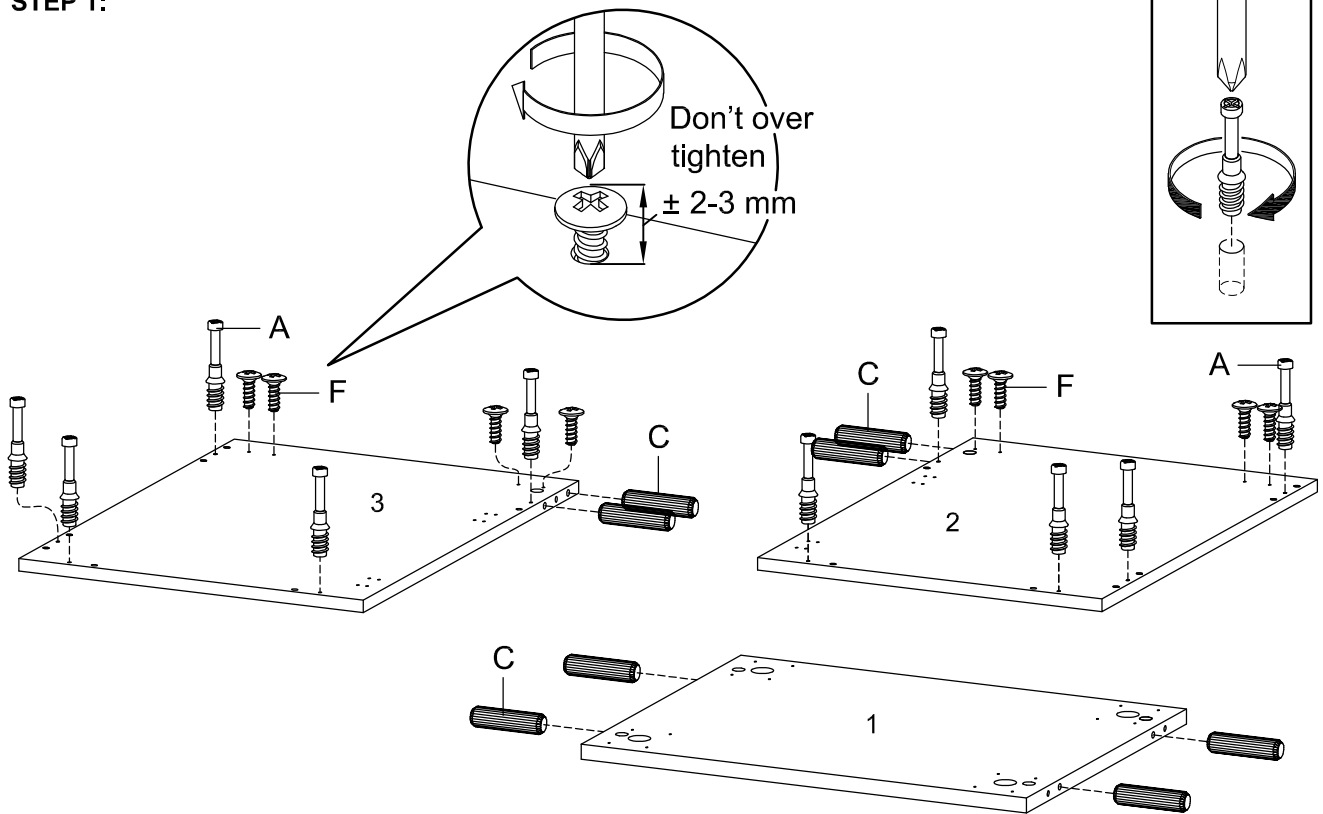
A) Cambolt/Metal  $\varnothing 6 \times 35 \text{ mm}$ x 12	B) CamLock Big/Metal  $\varnothing 15 \text{ mm}$ x 12	C) Dowel Big/Wood  $\varnothing 8 \times 30 \text{ mm}$ x 18	D) Bracket/Metal  $67 \times 67 \text{ mm}$ x 4	E) Hinges/Metal  $95 \times 52 \times 21 \text{ mm}$ x 4
F) Screw/Metal  $4.5 \times 12.5 \text{ mm}$ x 56	G) Plat/Metal  $80 \times 65 \text{ mm}$ x 4	H) Buffer/Rubber  $\varnothing 8 \text{ mm}$ x 2	I) Foam Pad/Spons  $25 \times 25 \times 2 \text{ mm}$ x 4	J) Screwdriver (Not Include)  x 1

Components:



1	Bottom Board	x 1	2	Side Board Left	x 1	3	Side Board Right	x 1	4	Front Skirt	x 1
5	Support Board 1	x 1	6	Wooden Door Left	x 1	7	Wooden Door Right	x 1	8	Back Skirt Upper	x 1
9	Back Skirt Lower	x 1	10	Leg (pre-assemble with x 4 adjustable leveler)							

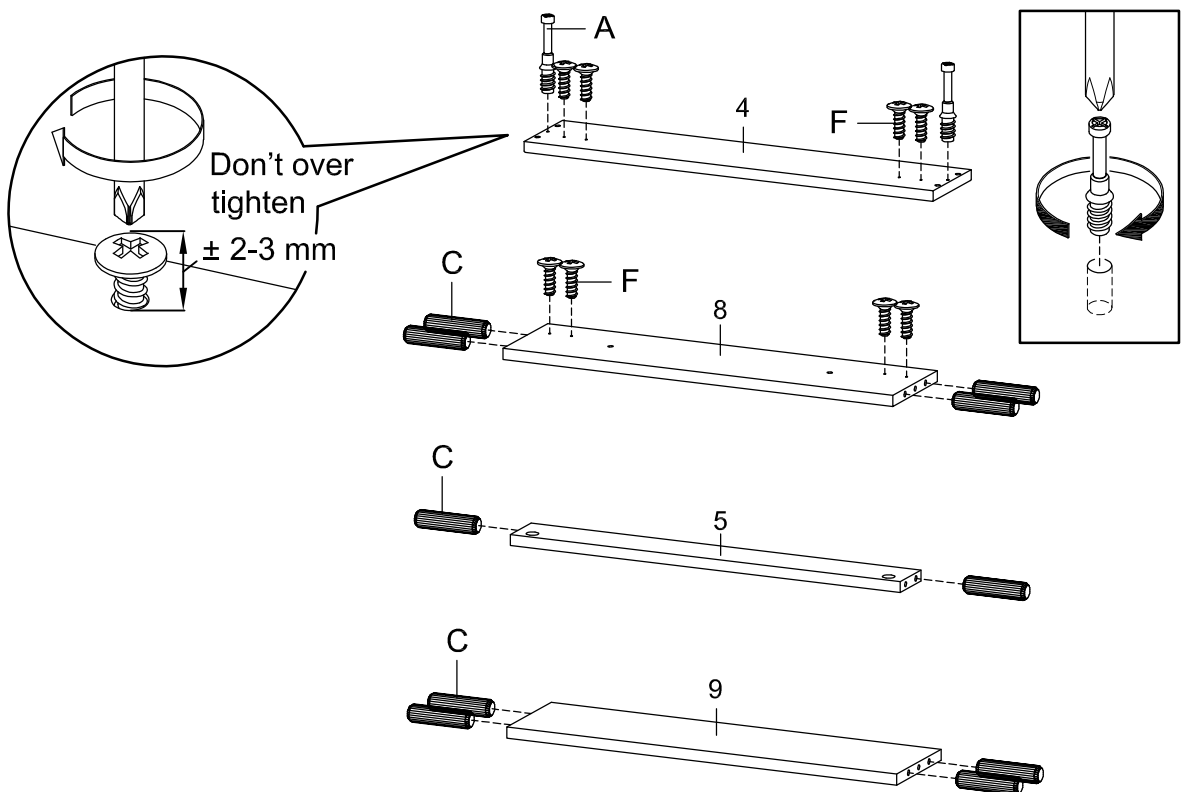
STEP 1:



A x 10	F x 8	C x 8	J x 1

Hardware required.
Screwdriver not included

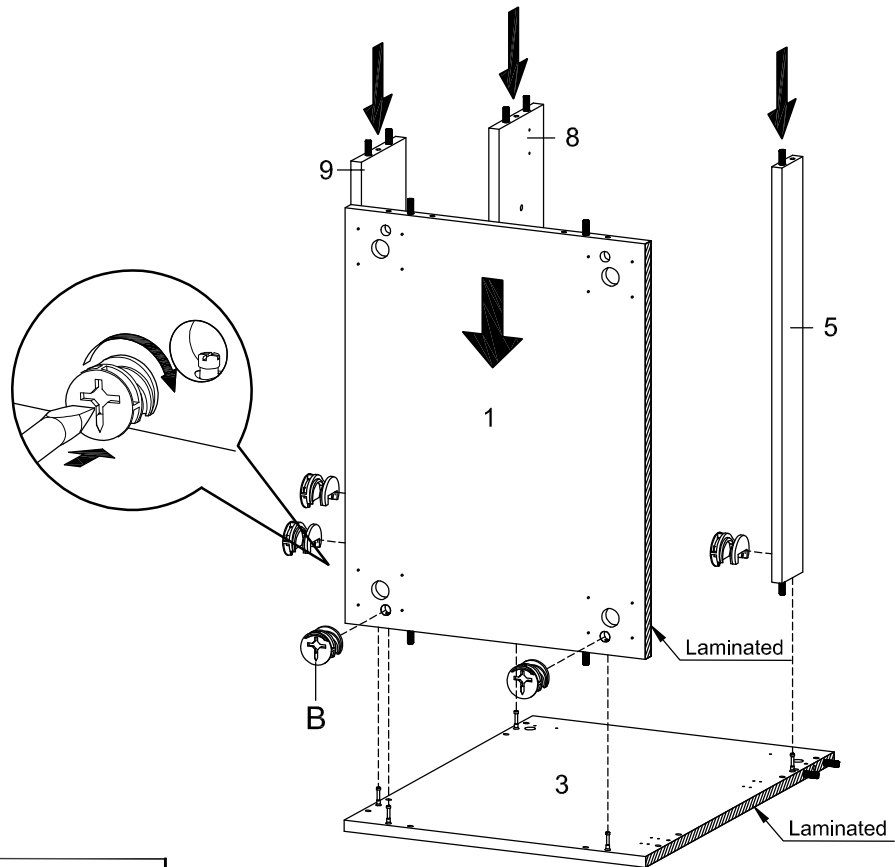
STEP 2:



A x 2	F x 8	C x 10	J x 1

Hardware required.
Screwdriver not included

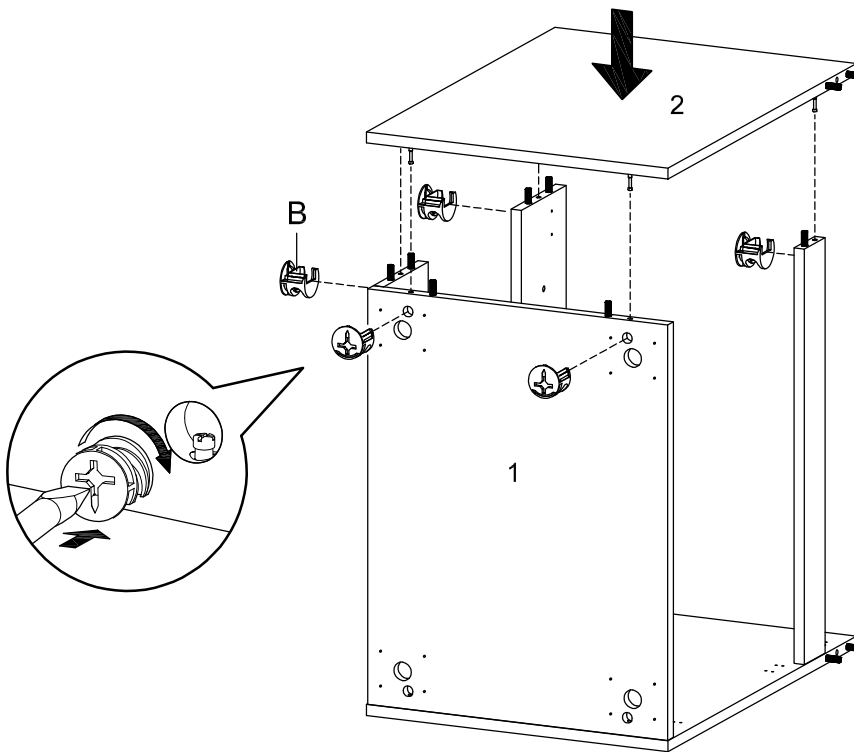
STEP 3:



B x 5	J x 1

Hardware required. Screwdriver not included

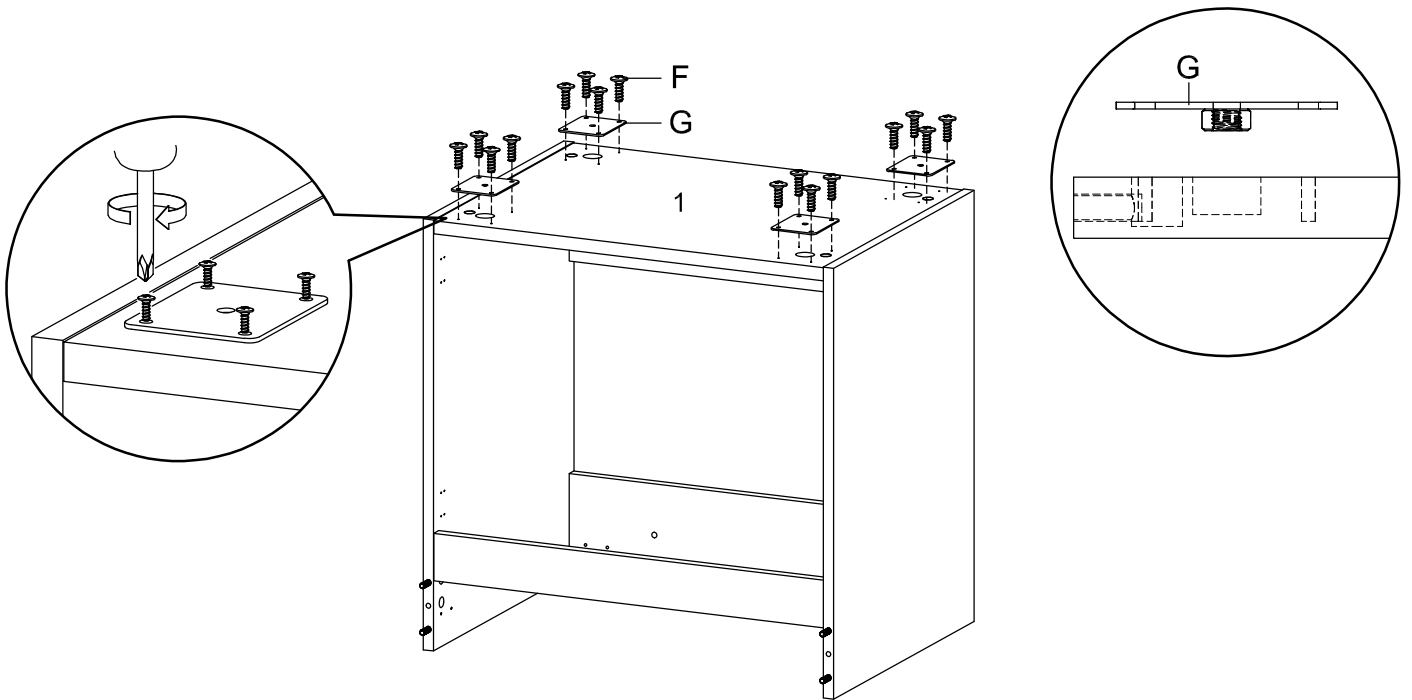
STEP 4:



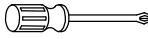


B x 5	J x 1

Hardware required. Screwdriver not included

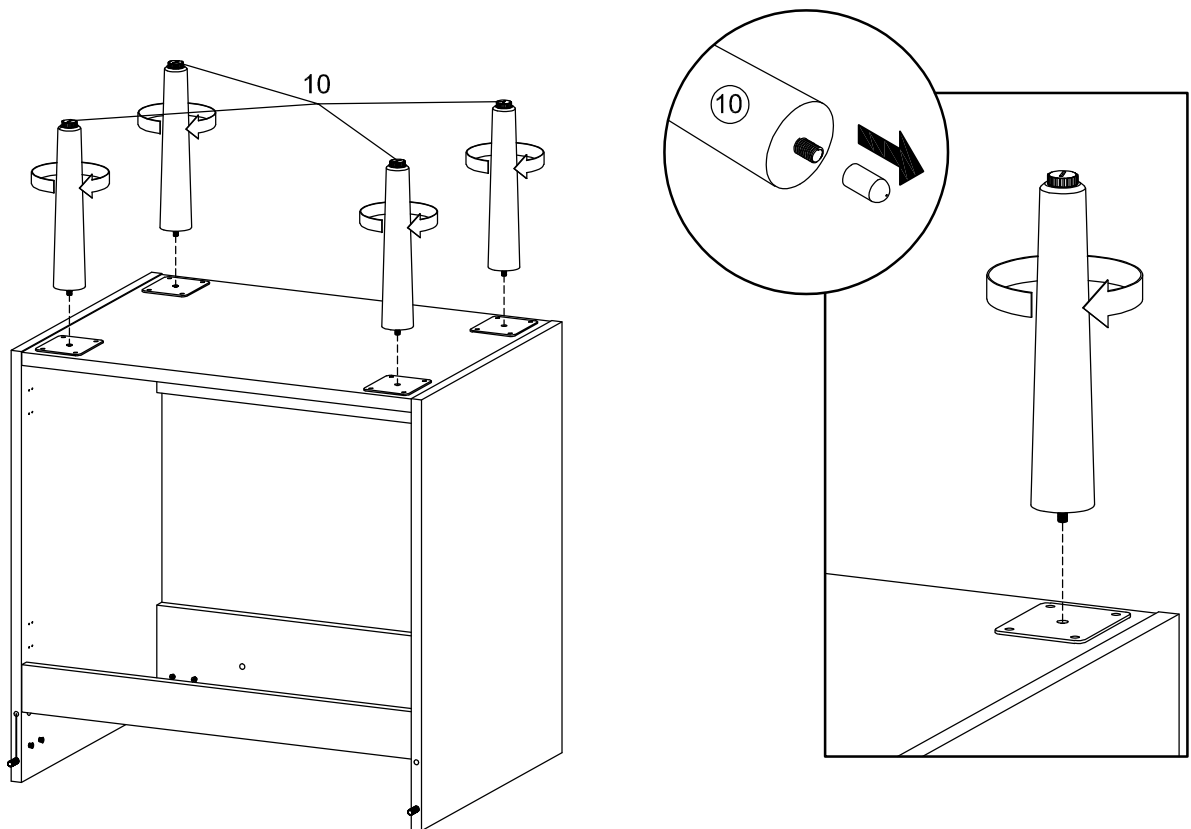
STEP 5:



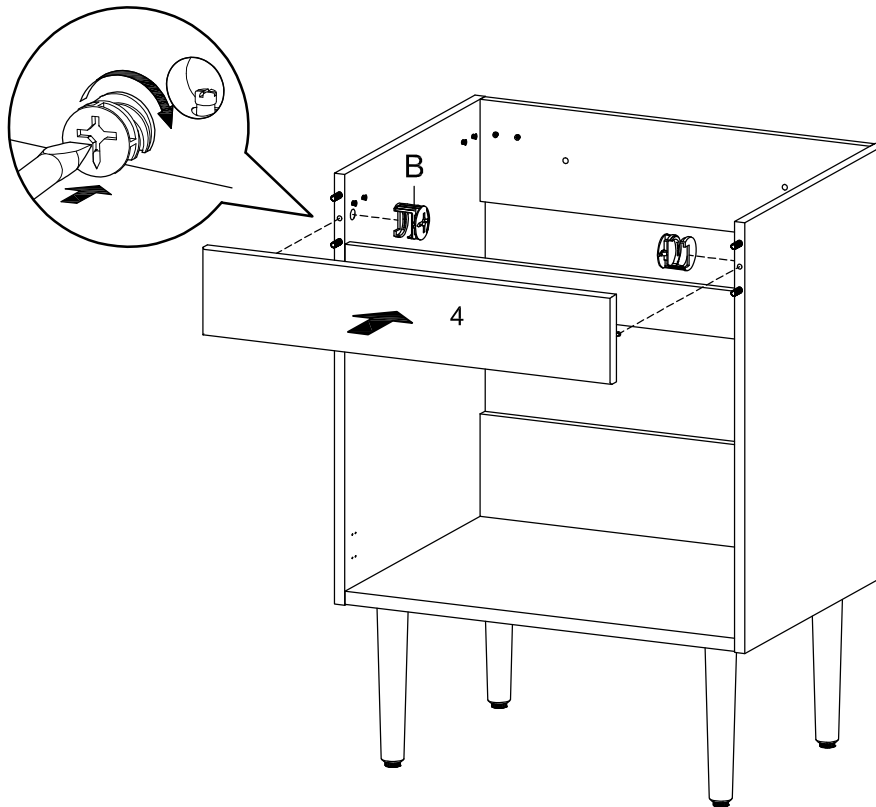
		
G x 4	F x 16	J x 1


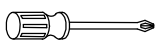
Hardware required. Screwdriver not included

STEP 6:



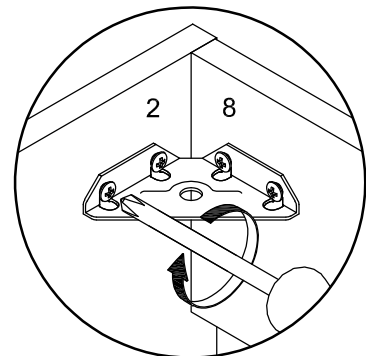
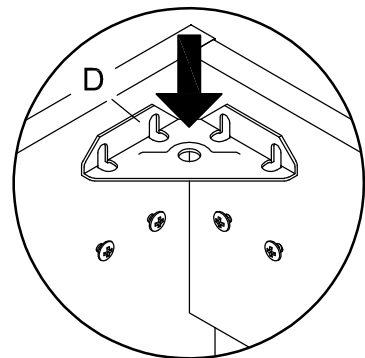
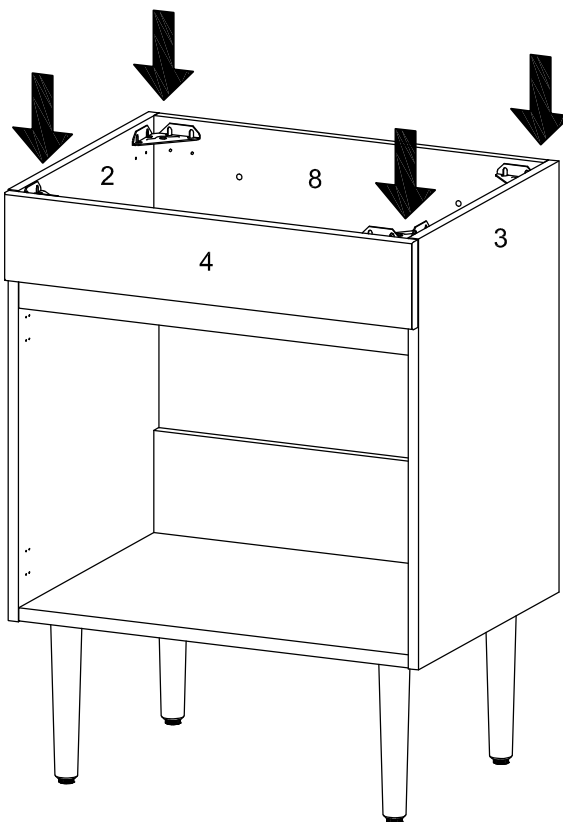
STEP 7:




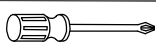
	
B x 2	J x 1

Hardware required. Screwdriver not included

STEP 8:

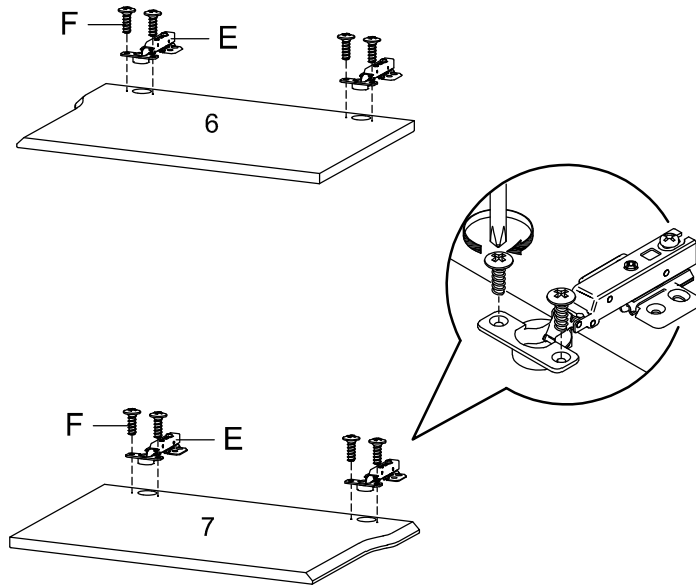


NOTE :
Tighten all the screw

	
D x 4	J x 1

Hardware required. Screwdriver not included

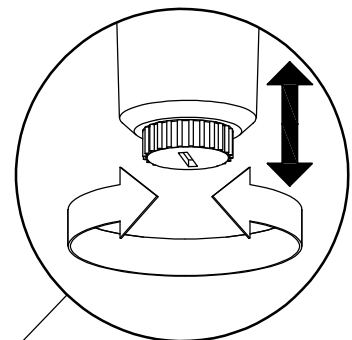
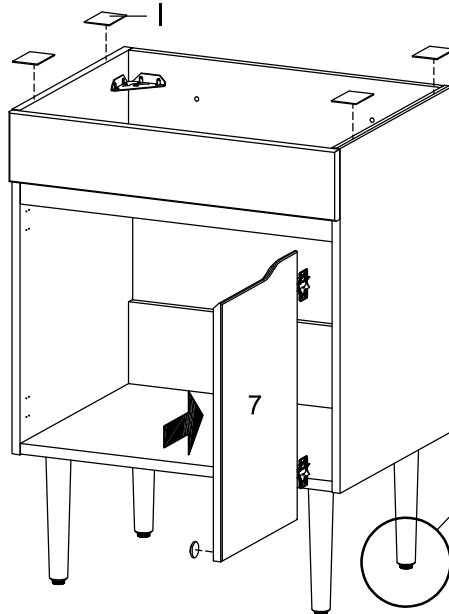
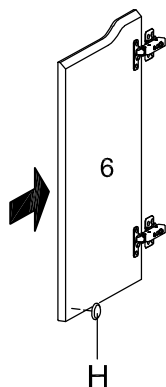
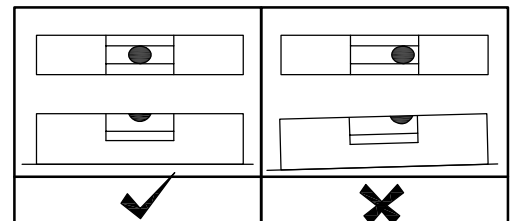
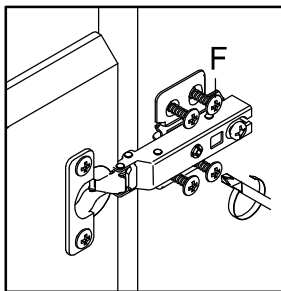
STEP 9:



E x 4	F x 8	J x 1

Hardware required. Screwdriver not included

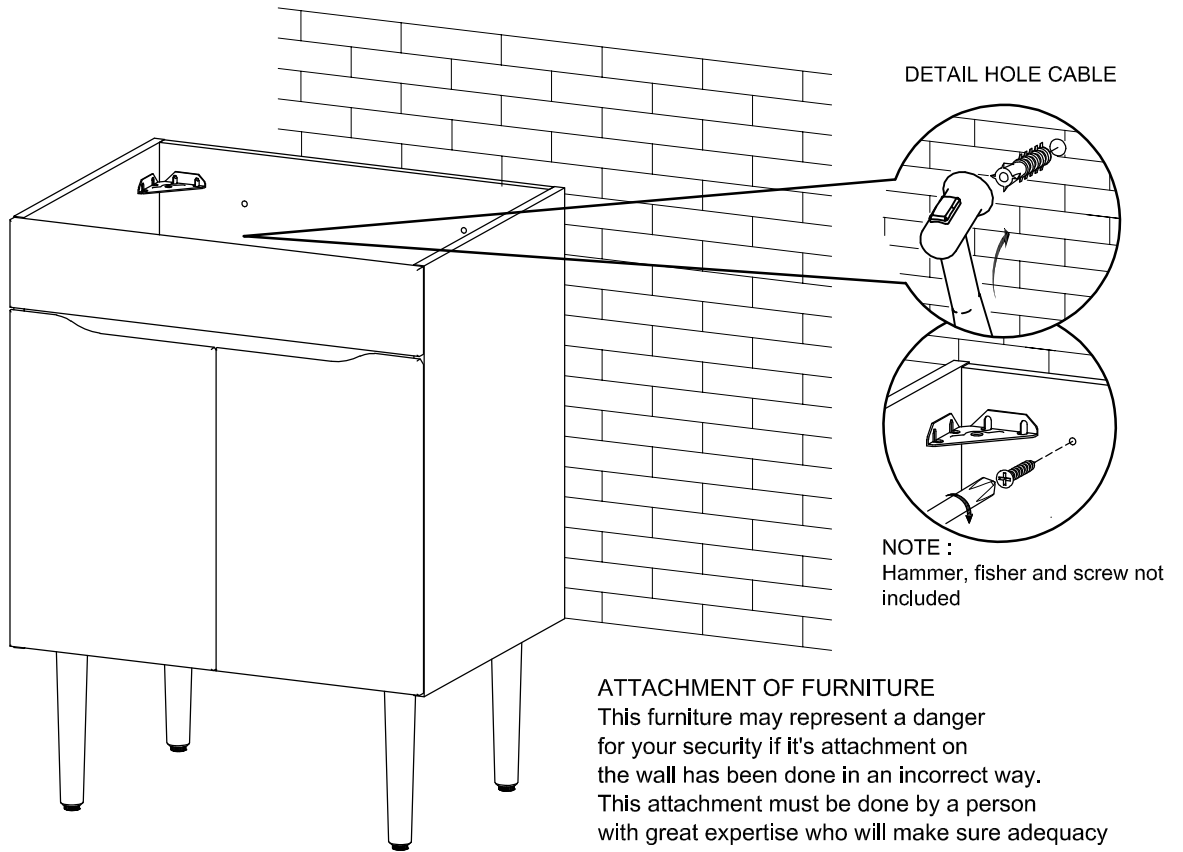
STEP 10:



F x 16	H x 2	I x 4	J x 1

Hardware required. Screwdriver not included

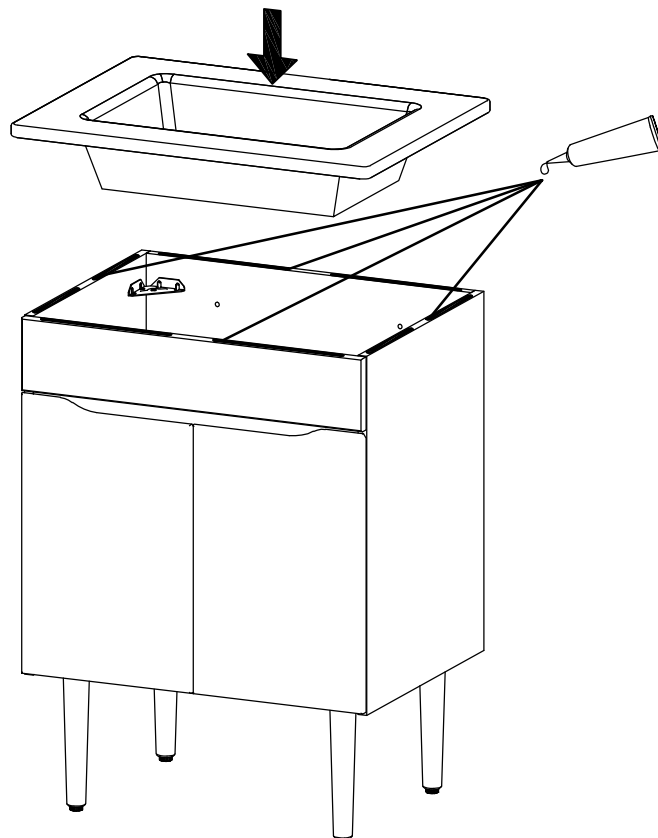
STEP 11:



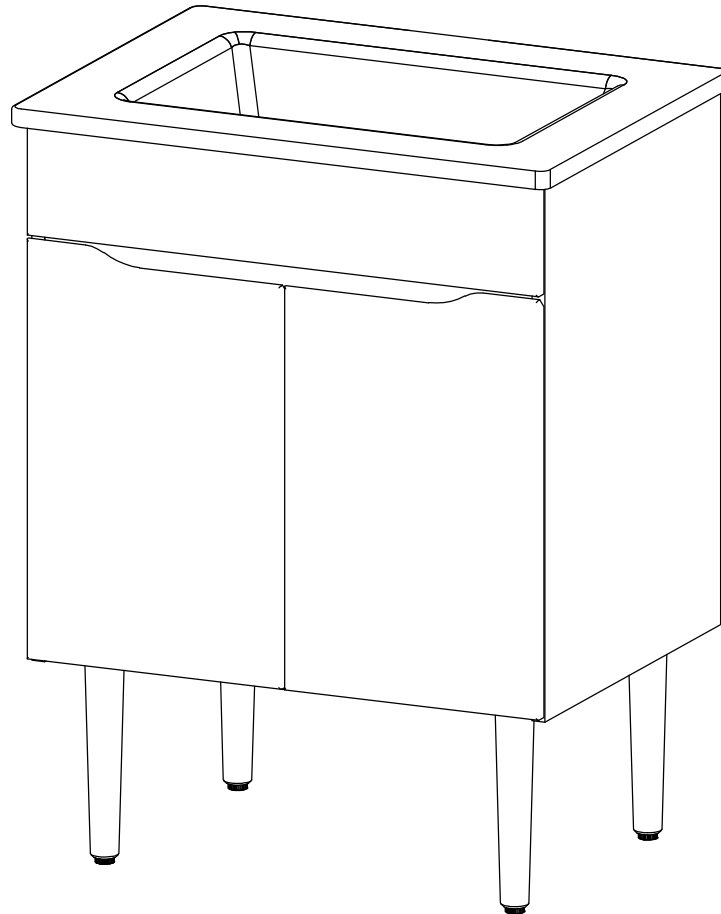
ATTACHMENT OF FURNITURE
 This furniture may represent a danger for your security if it's attachment on the wall has been done in an incorrect way. This attachment must be done by a person with great expertise who will make sure adequacy between the device of fixing and the wall. Please source the right fitting according to the wall type. For your safety, it is imperative to fix your furniture to the wall

STEP 12:

Apply a thin bead of silicone compound around the vanity base and set the vanity top carefully in place. Remove any excess silicone compound with a wet rag



STEP 13:



Assembly is complete and ready for sink installation.