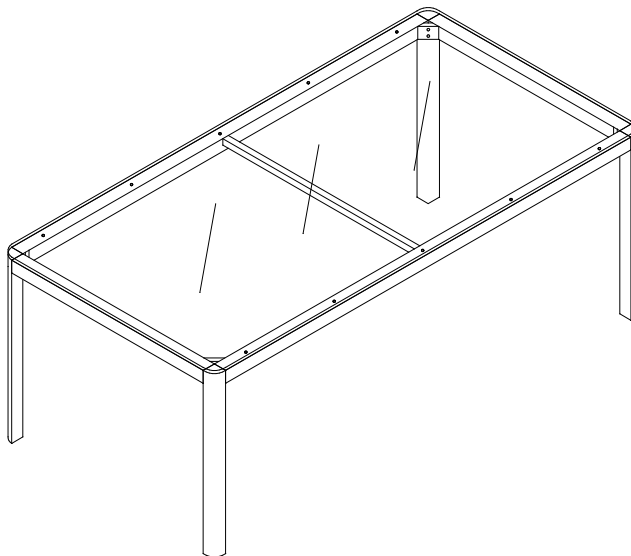


Thank you for purchasing the **MODWAY Table**.

Before you start, here are some helpful advice:

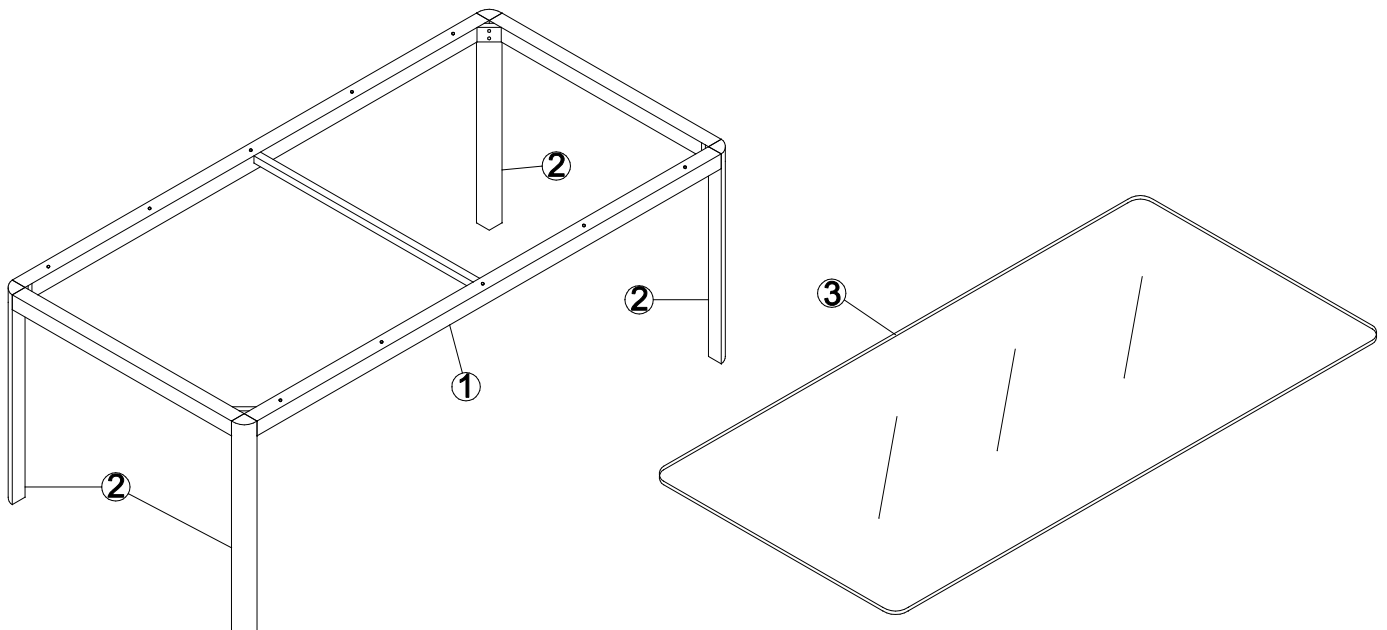
1. We suggest you spend a short time reading through this leaflet and then follow the simple step-by-step instructions.
2. Owing to the size and weight of the Table, we recommend that it is assembled by two adults, on a carpeted or padded area, in the room that it is intended for. Approximate assembly time: 30 minutes.
3. Please do not use any tools other than those provided or recommended in these instructions.
4. Please do not throw away any of the packaging or the instruction until you have checked all the components and hardware and the furniture is fully assembled. Please ensure that the packaging is disposed of in a safe and environmentally friendly way.
5. Assemble all components loosely until advised to tighten. Depending on use, it may be necessary to tighten the components from time to time, so please save the tools that have been provided.
6. Please keep all pieces out of reach of children.



### Hardware:

- |    |  |                 |    |
|----|--|-----------------|----|
| A. |  | Bolt M6x55mm    | x8 |
| B. |  | Flat Washer     | x8 |
| C. |  | Spring Washer   | x8 |
| D. |  | Allen Wrench M8 | x1 |

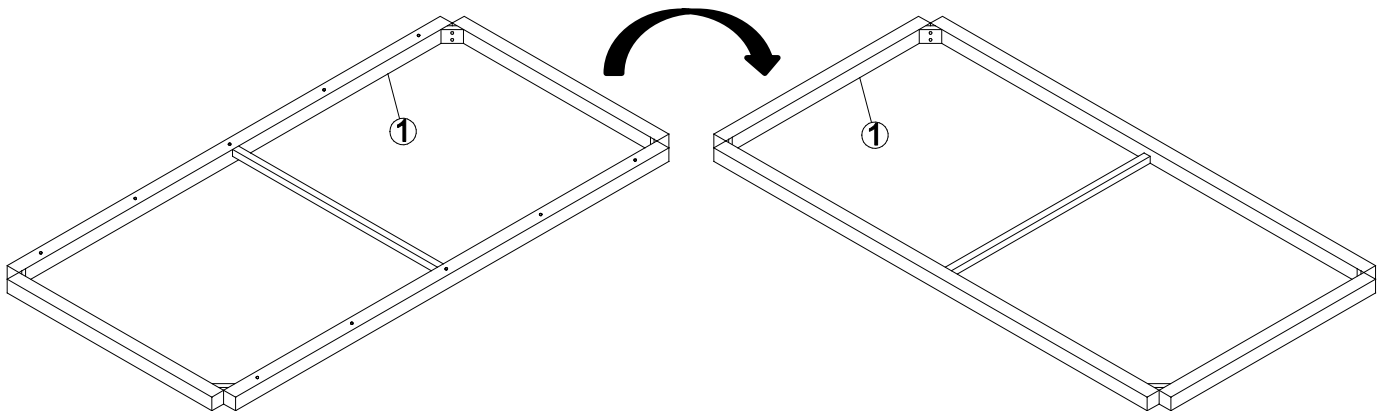
### Components:



- |          |    |        |    |              |    |
|----------|----|--------|----|--------------|----|
| 1. Frame | x1 | 2. Leg | x4 | 3. Glass Top | x1 |
|----------|----|--------|----|--------------|----|

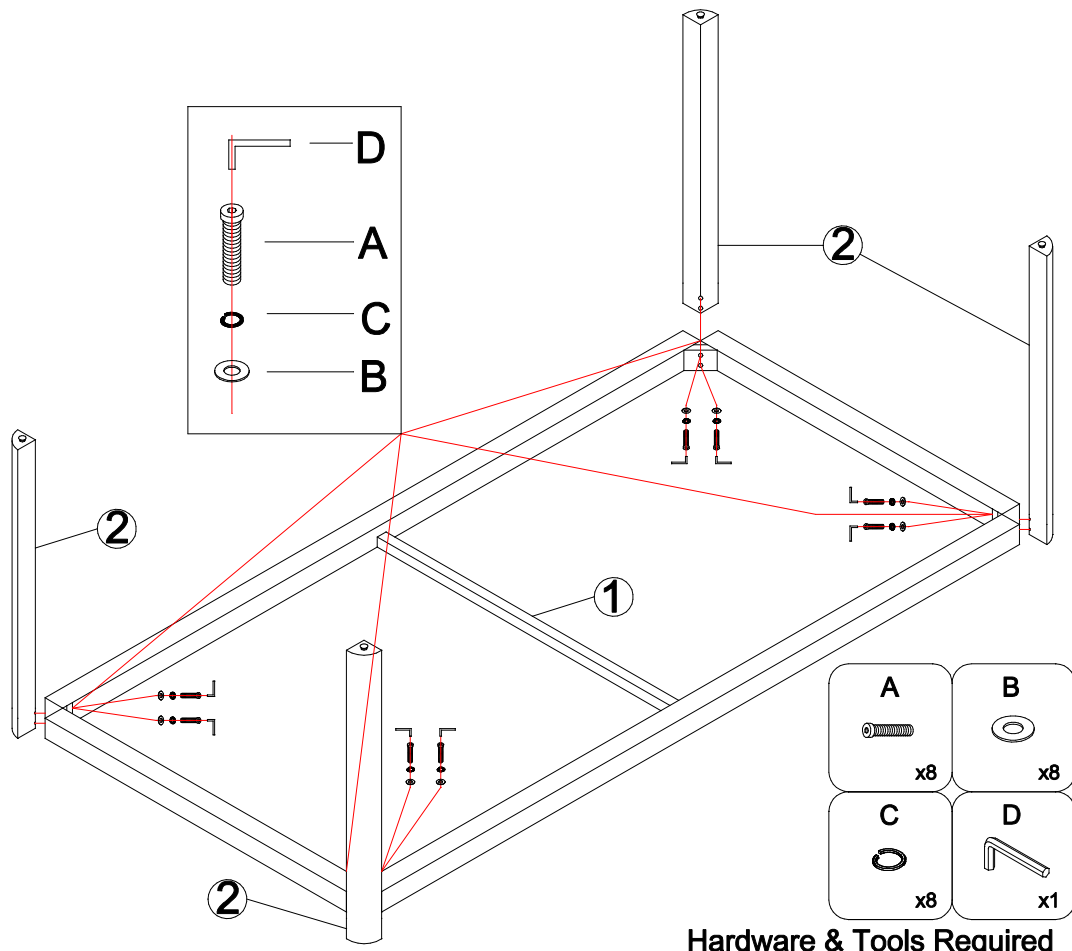
**STEP 1:**

Please put **Frame (1)** upside down on a carpeted or padded surface by two adults.



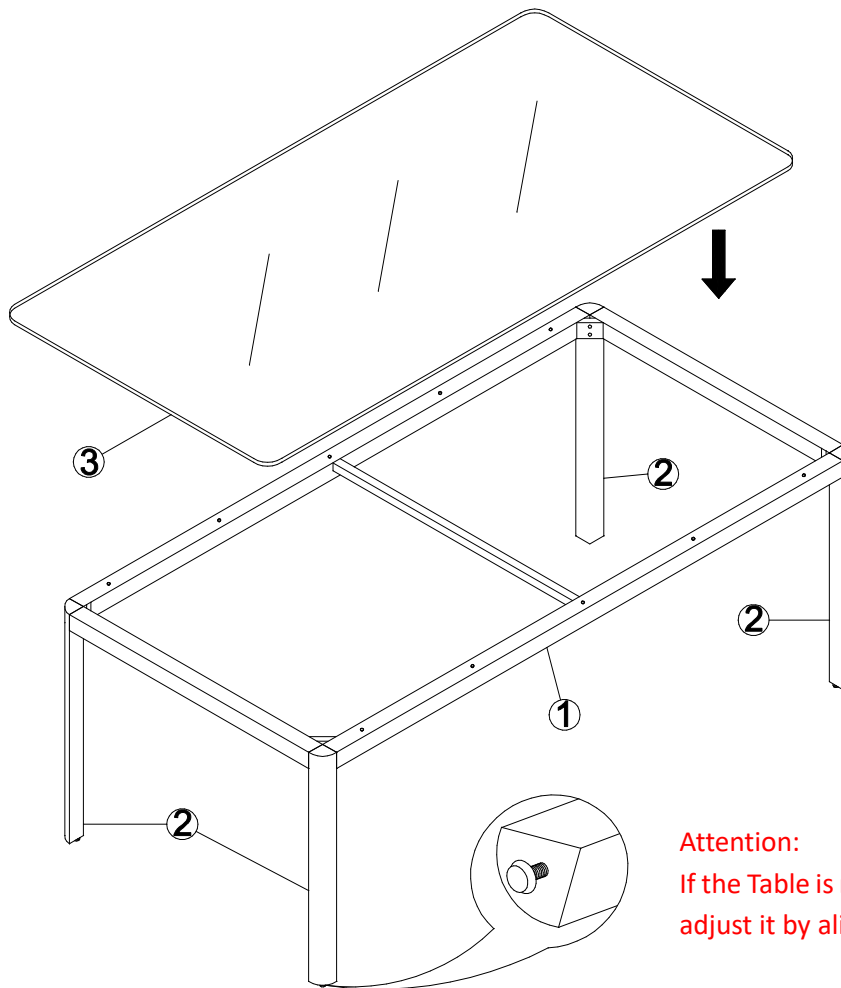
**STEP 2:**

1. Attach 1 piece of **Leg (2)** to the corner of the **Frame (1)** by using 2 pieces of **Bolts (A)** with 2 pieces of **Spring Washers (C)** and 2 pieces of **Flat Washers (B)** as shown.
2. Use **Allen Wrench (D)** to tighten **Bolts (A)**. Don't fully tight **Bolts (A)**.
3. Repeat the same steps for the other 3 pieces of **Legs (2)**.
4. When all **Legs (2)** are fixed, please fully tighten all **Bolts (A)**.

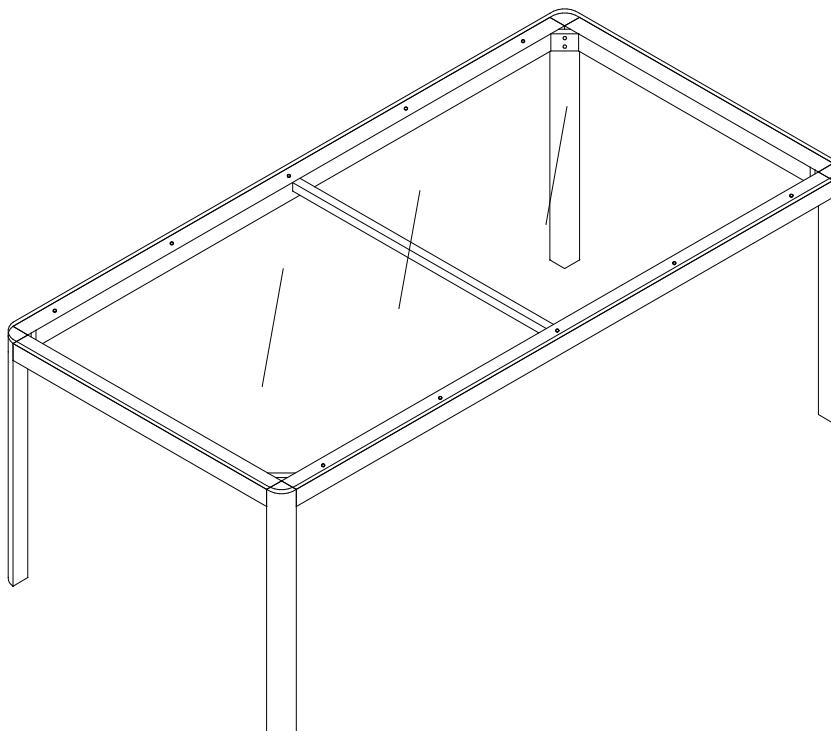


## STEP 3:

1. Carefully turn over the assembled table by two adults.
2. Put 1 piece of **Glass Top (3)** on the **Frame (1)** by two adults.



**Attention:**  
If the Table is not stable, you may  
adjust it by alignment pin.



Assembly is complete. Your Table is ready to enjoy now!