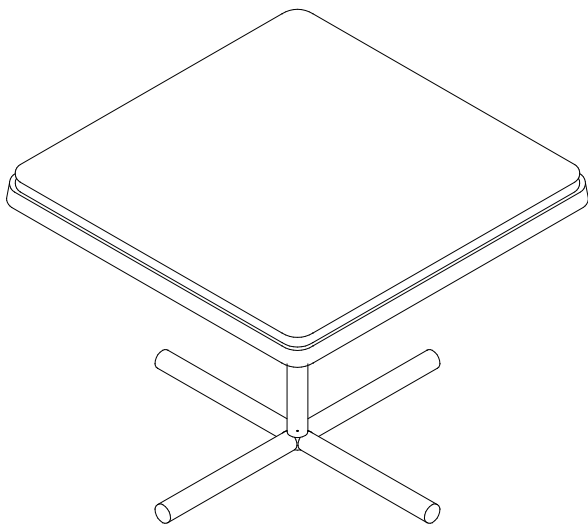


EEI-3575 TABLE

Thank you for purchasing the **MODWAY Table**.

Before you start, here are some helpful advice:

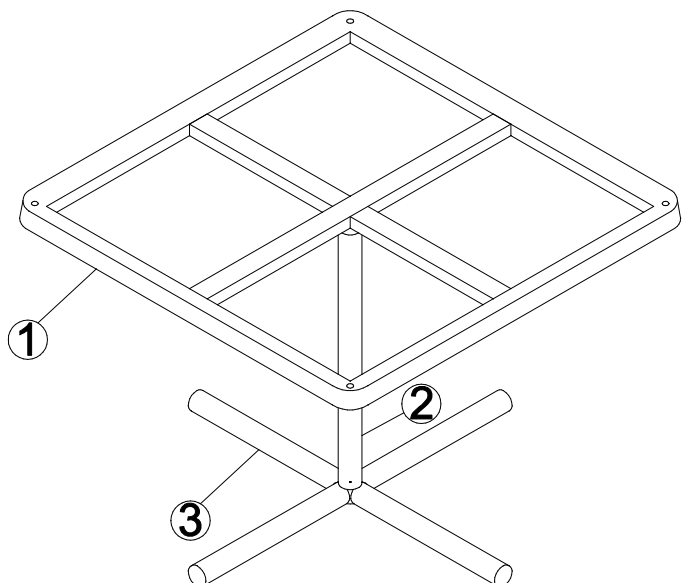
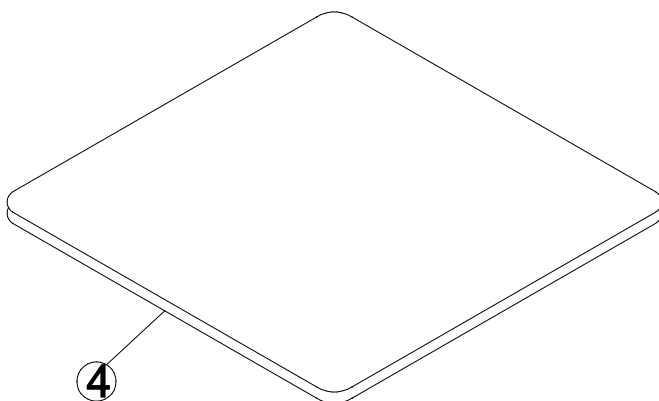
1. We suggest you spend a short time reading through this leaflet and then follow the simple step-by-step instructions.
2. Owing to the size and weight of the Table, we recommend that it is assembled by two adults, on a carpeted or padded area, in the room that it is intended for. Approximate assembly time: 30 minutes.
3. Please do not use any tools other than those provided or recommended in these instructions.
4. Please do not throw away any of the packaging or the instruction until you have checked all the components and hardware and the furniture is fully assembled. Please ensure that the packaging is disposed of in a safe and environmentally friendly way.
5. Assemble all components loosely until advised to tighten. Depending on use, it may be necessary to tighten the components from time to time, so please save the tools that have been provided.
6. Please keep all pieces out of reach of children.



Hardware:

- | | | | |
|----|--|----------------------|----|
| A. | | Long Bolt M10*1010mm | x1 |
| B. | | Nut M10 | x1 |
| C. | | Flat Washer M10 | x1 |
| D. | | Spring Washer M10 | x1 |
| E. | | Glass Top | x1 |
| F. | | Short Bolt M4*4mm | x2 |
| G. | | Allen Wrench M4 | x1 |

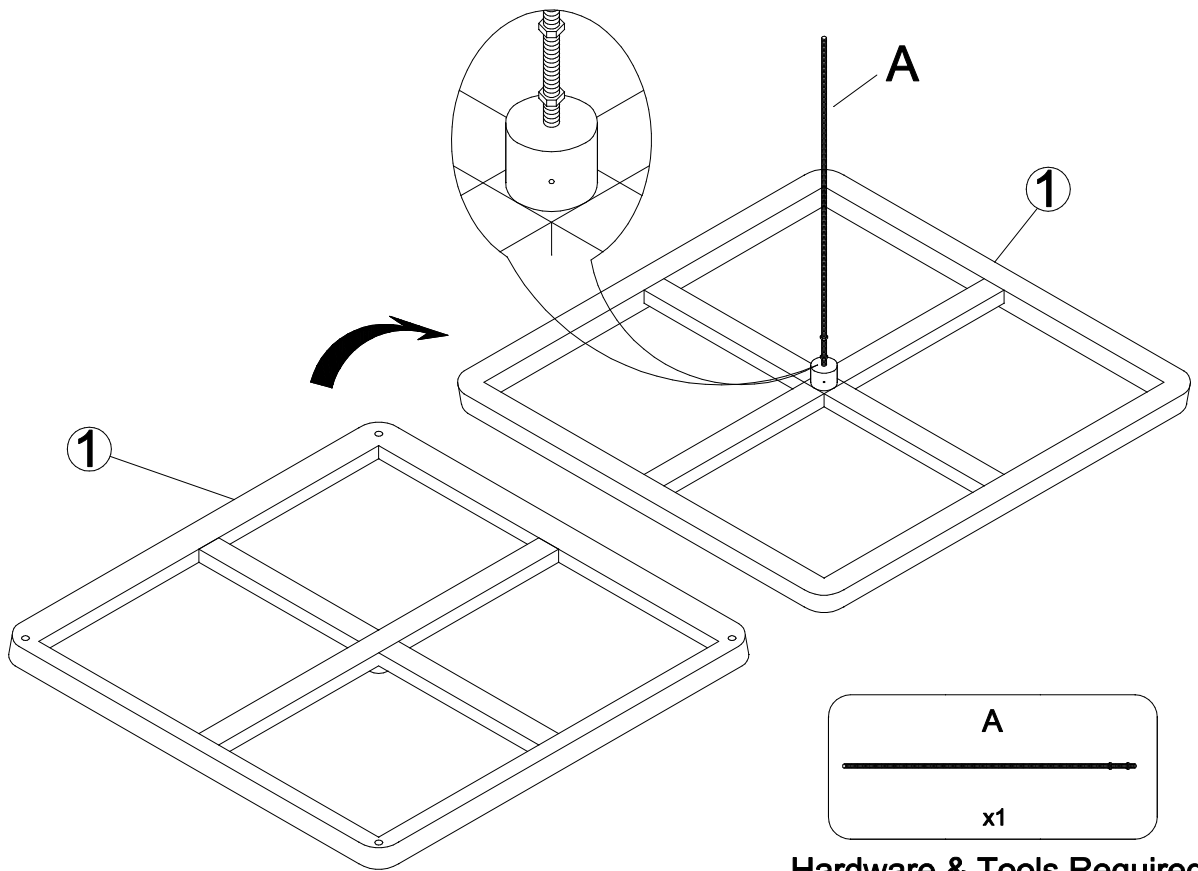
Components:



- | | | | | | | | |
|----------|----|------------|----|---------|----|--------------|----|
| 1. Frame | x1 | 2. Support | x1 | 3. Base | x1 | 4. Top Panel | x1 |
|----------|----|------------|----|---------|----|--------------|----|

STEP 1:

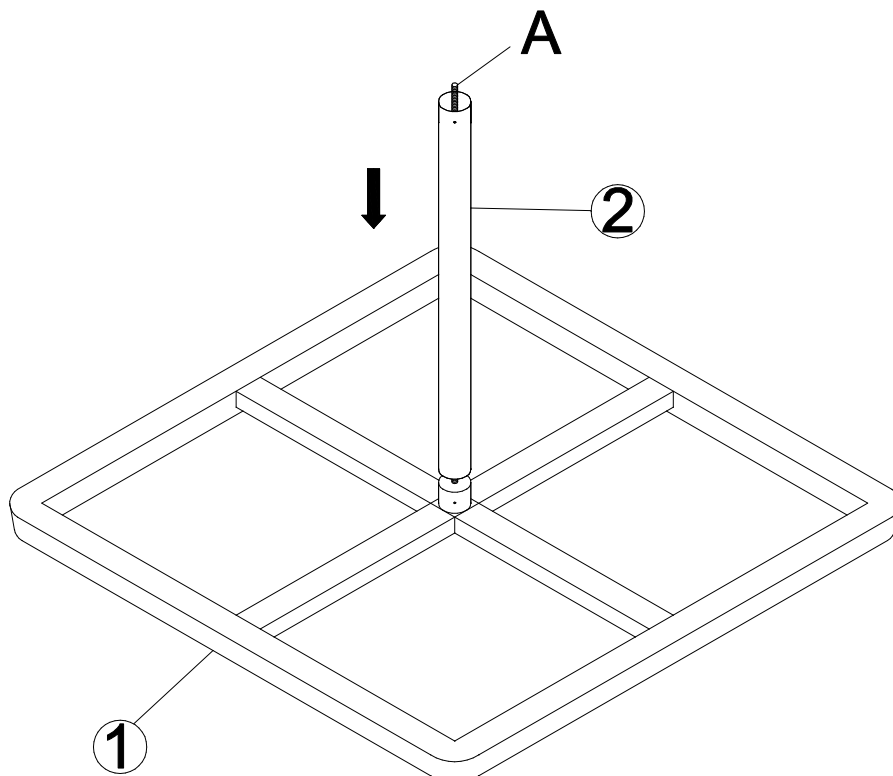
1. Please put **Frame (1)** upside down on a carpeted or padded surface.
2. Insert the **Long Bolt (A)** with fixed Nut into the pre-drilled holes on the **Frame (1)** as shown.
3. Tighten **Long Bolts (A)** clockwise until secure by hand.



Hardware & Tools Required

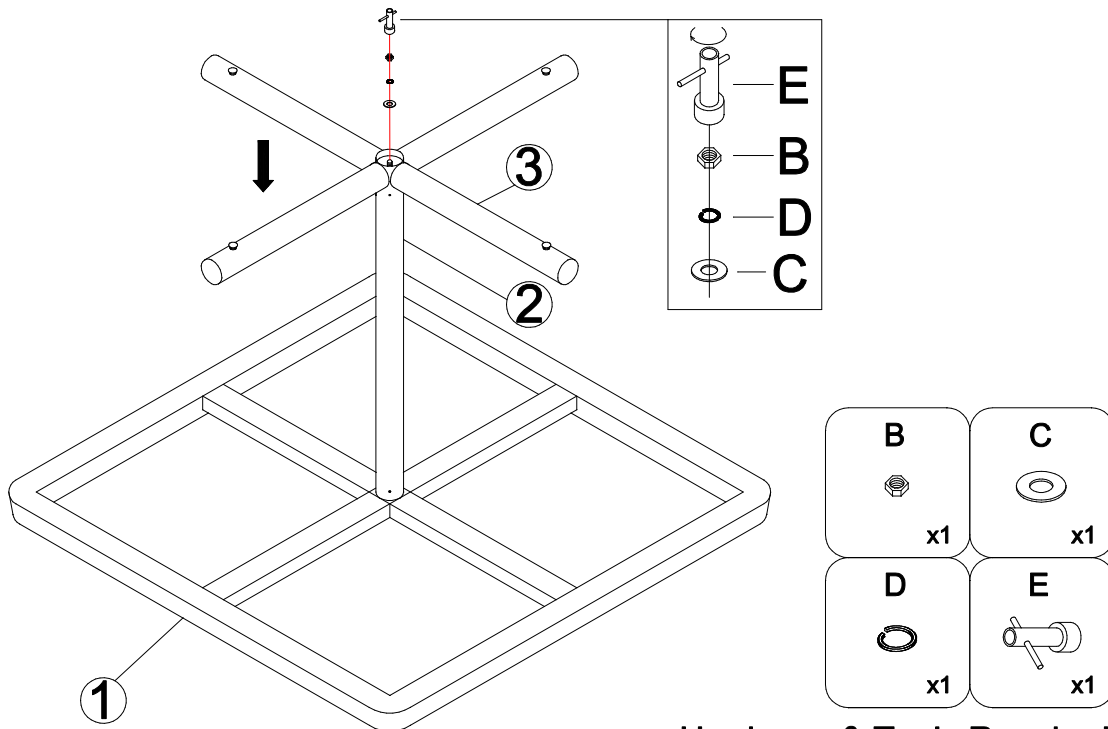
STEP 2:

Insert the **Support (2)** into the **Frame (1)** through **Long Bolt (A)** as shown by hand.



STEP 3:

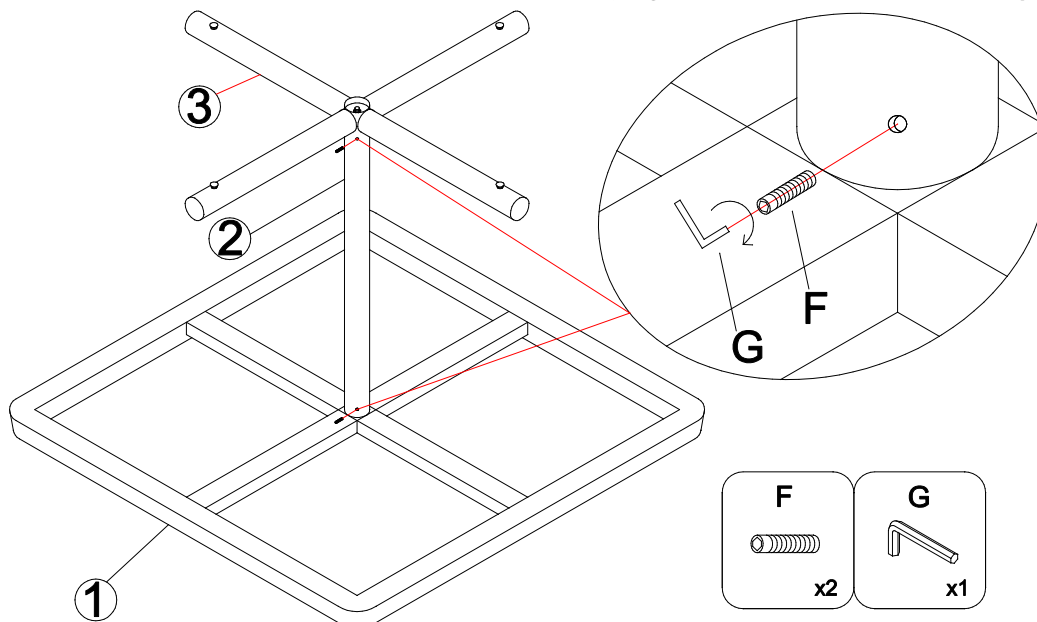
1. Insert the **Base (3)** into the **Support (2)** as shown by hand.
2. Attach **Base (3)** to the **Support (2)** by using 1 piece of **Nut (B)** with 1 piece of **Spring Washer (D)** and 1 piece of **Flat Washer (C)** as shown.
3. Use **Glass Top (E)** to tighten **Nut (B)** as shown. Don't tight **Nut (B)** fully.



Hardware & Tools Required

STEP 4:

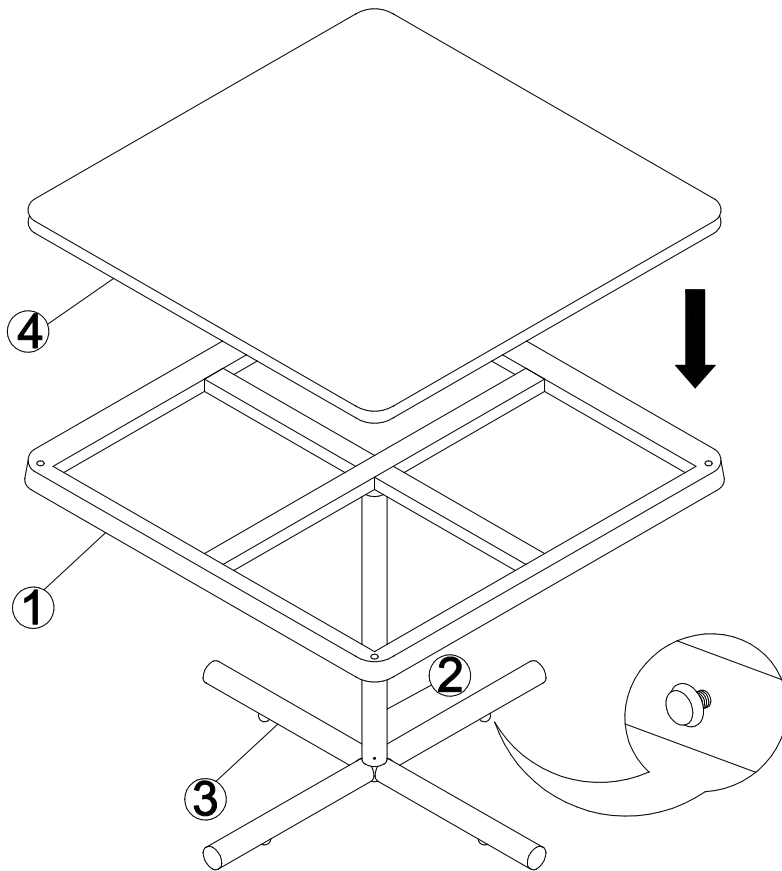
1. Rotate the **Support (2)** to assure the hole on the **Frame (1)** is aligned with the hole on the **Support (2)**, insert 1 piece of **Bolt (F)** to the hole and use **Allen Wrench (G)** to tighten **Bolt (F)** as shown. Don't tight **Bolt (F)** fully.
2. Rotate the **Base (3)** to assure the hole on the **Support (2)** is aligned with the hole on the **Base (3)**, insert 1 piece of **Bolt (F)** to the hole and use **Allen Wrench (G)** to tighten **Bolt (F)** as shown. Don't tight **Bolt (F)** fully.
3. When **Support (2)** and **Base (3)** are fixed, please fully tighten **Nut (B)** and all **Bolts (F)**.



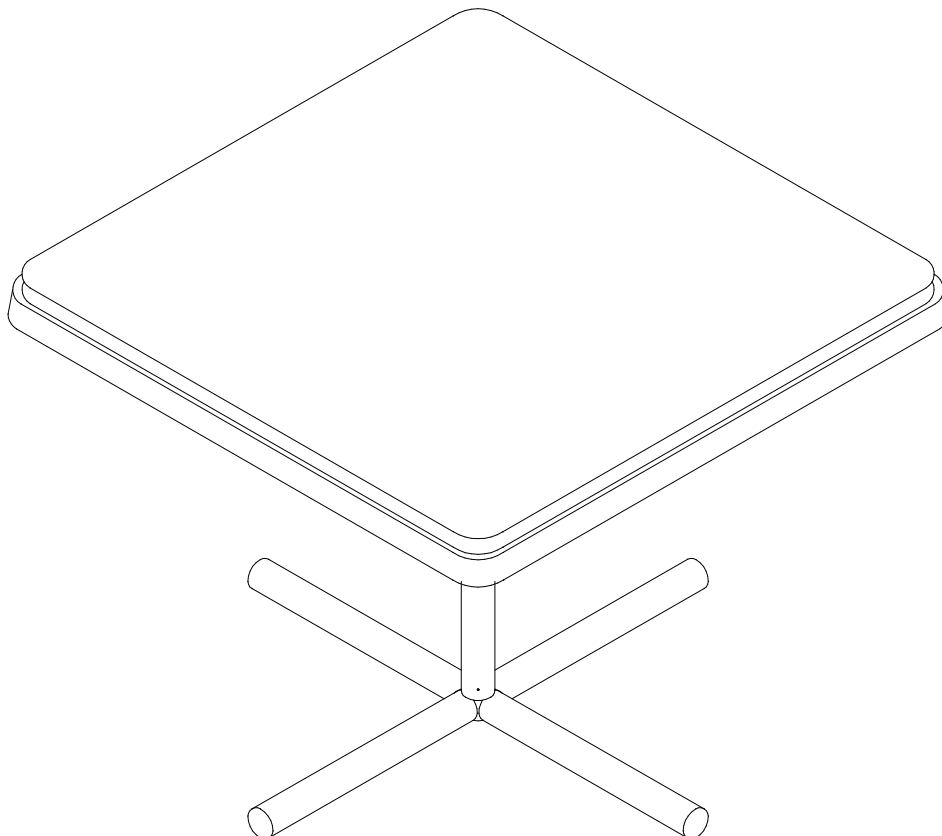
Hardware & Tools Required

STEP 5:

1. Carefully turn over the assembled table by two adults.
2. Carefully put **Top Panel (4)** on the **Frame (1)** as shown. Make sure the **Top Panel (4)** fits the **Frame (1)**.



Attention:
If the Table is not stable, you may adjust it by alignment pin.



Assembly is complete. Your Table is ready to enjoy now!