




Thank you for purchasing the **Round Dining Table !**

Before you start, here are some helpful advice:

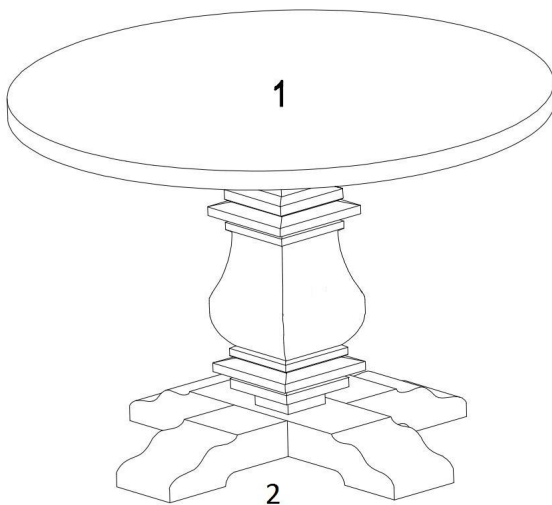
1. We suggest you spend a short time reading through this leaflet and then follow the simple step by step instructions.
2. Owing to the size and weight of the table, we recommend that it is assembled by two adults, on a carpeted or padded area, in the room that it is intended for. Approximate assembly time: 15 minutes.
3. Please do not use any tools other than those provided or recommended in these instructions.
4. Please do not throw away any of the packaging or instructions until you have checked all the components and hardware and the furniture is fully assembled.
5. Assemble all components loosely until advised to tighten. Depending on use, it may be necessary to tighten the components from time to time, so please save the tools that have been provided.
6. Please keep all pieces out of reach of children.



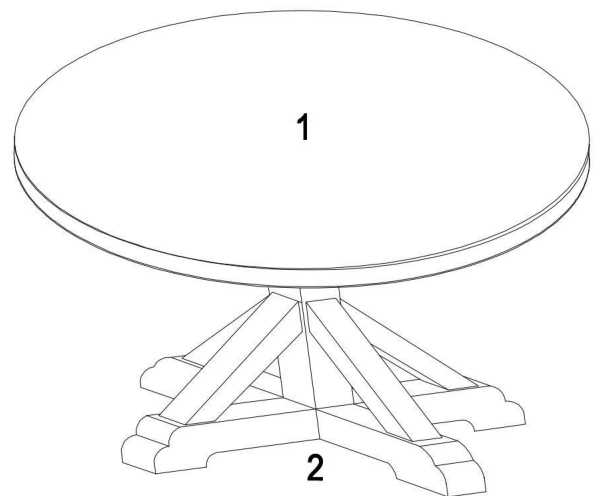
**Hardware:**

- |   |  |              |    |
|---|--|--------------|----|
| A |    | Bolt M8x45mm | x4 |
| B |  | Flat Washer  | x4 |
| C |  | Allen Wrench | x1 |

**Component:**



**1** Table Top x1  
EEI-3094/E EI-3095/E EI-3096



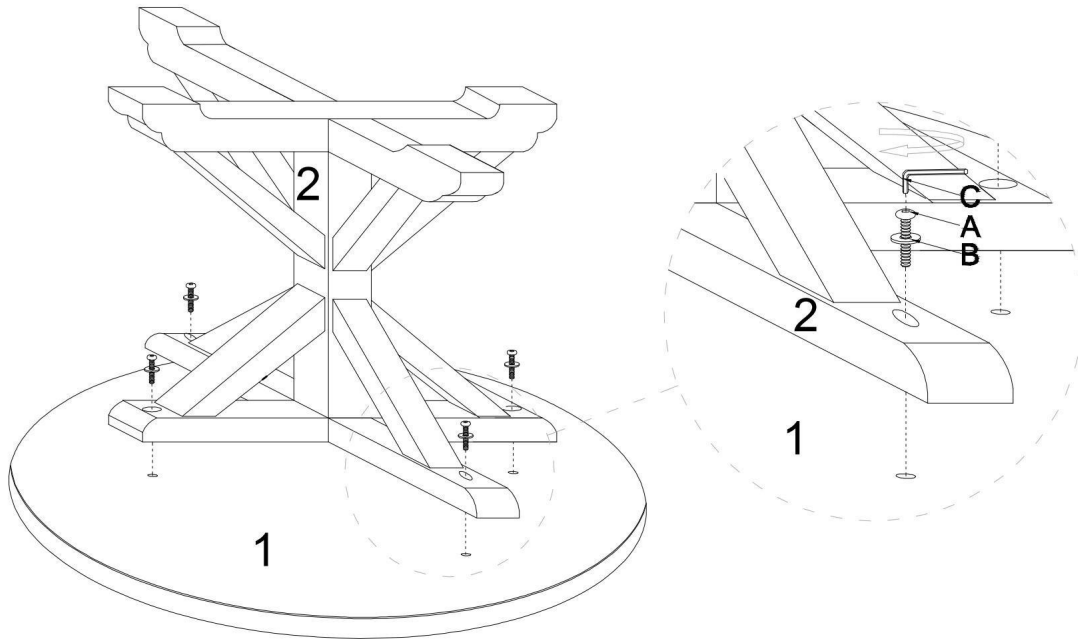
**2** Table Base x1  
EEI-3097/E EI-3098




**STEP 1:**

Please put the **Table Top (1)** upside down on a carpeted or padded surface.

Attach **Table Base (2)** to the bottom of **Top (1)** by using 4 pieces of **Bolts (A)** and **Flat Washers (B)** as shown.

Use **Allen Wrench (C)** to tighten the **Bolts (A)** clockwise until secure.

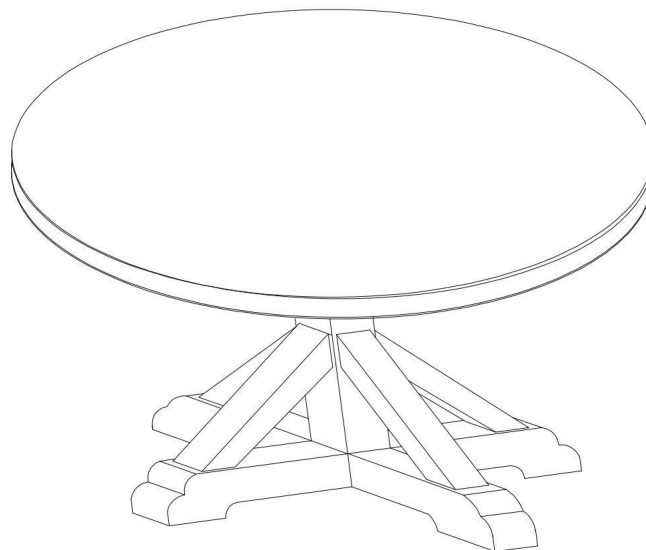


		
A x 4	B x 4	C x 1

Hardware & Tool required

**STEP 2:**

Carefully turn over the table.



Assembly is complete. The table is ready to enjoy now!