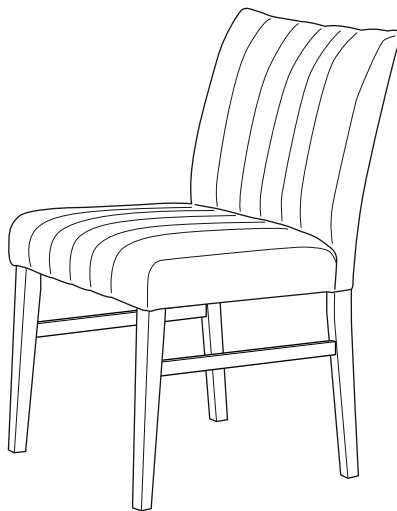


Thank you for purchasing the **MODWAY DINING CHAIR!**

Before you start, here are some helpful advice:

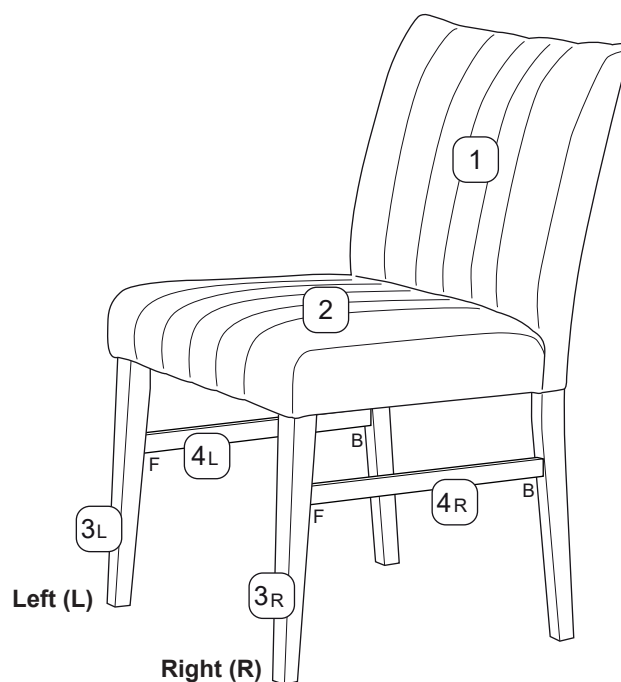
1. We suggest you spend a short time reading through this leaflet and then follow the simple step by step instructions.
2. Owing to the size and weight of the dining chair, we recommend that it is assembled by two adults, on a carpeted or padded area, in the room that it is intended for. Approximate assembly time: 30 minutes.
3. Please do not use any tools other than those provided or recommended in these instructions.
4. Please do not throw away any of the packaging or instructions until you have checked all the components and hardware and the furniture is fully assembled.
5. Assemble all components loosely until advised to tighten. Depending on use, it may be necessary to tighten the components from time to time, so please save the tools that have been provided.
6. Please keep all pieces out of reach of small children.



Hardware:

A		Bolt M6 x 40mm	x 2
B		Bolt M6 x 60mm	x 4
C		Bolt M6 x 80mm	x 4
D		Spring Washer M6	x 10
E		Flat Washer M6	x 10
F		Allen Wrench	x 1
G		CSK M4 x 32mm	x 4

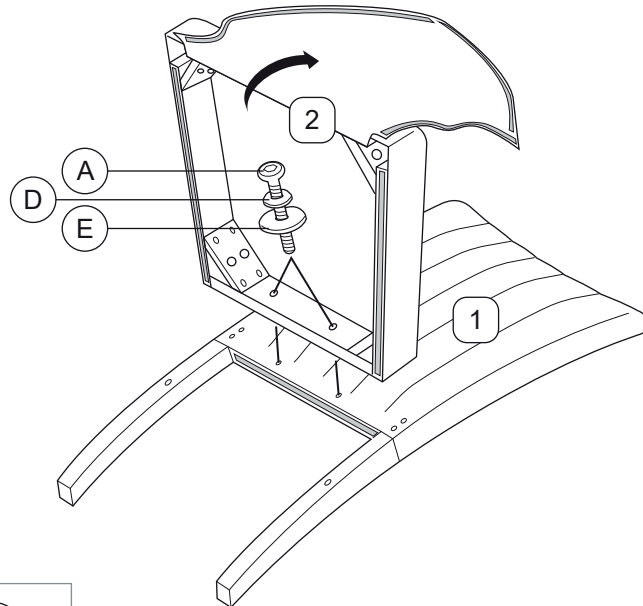
Component:



1	Chair Back	x1	2	Seat Frame	x1	3	Front Leg (Left &Right)	x2	4	Stretcher (Left & Right)	x2
---	------------	----	---	------------	----	---	-------------------------	----	---	--------------------------	----

STEP 1:

- 1: Please put **Chair Back (1)** upside down on a carpeted or padded area.
- 2: Then open the black fabric which is attached by the Velcro from back to front on the bottom of the **Seat Frame (2)**. The inside of the **Seat Frame (2)** will now be visible.
- 3: Attach **Seat Frame (2)** to **Chair Back (1)** by using 2 pieces of **Bolt (A)**, 2 pieces of **Spring Washer (D)** and 2 pieces of **Flat Washer (E)** as shown.
- 4: Do not fully tighten **Bolt (A)** at this step.

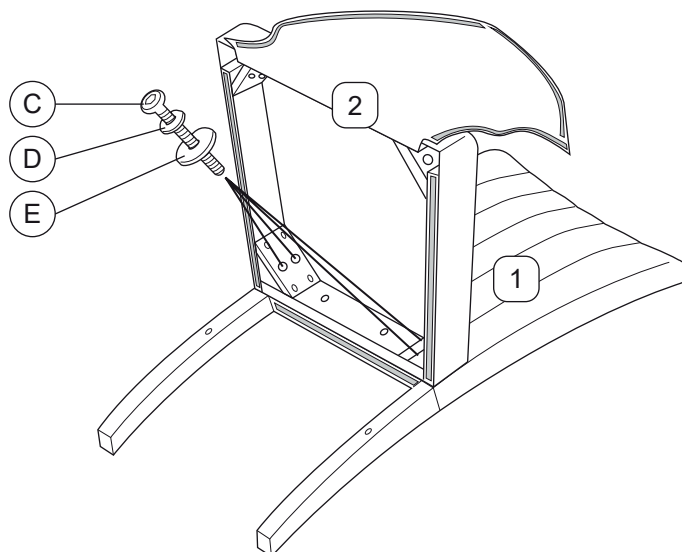


A x 2	D x 2	E x 2

Hardware & Tool required

STEP 2:

- 1: Attach **Seat Frame (2)** to **Chair Back (1)** by 4 pieces of **Bolt (C)**, 4 pieces of **Spring Washer (D)** and 4 pieces of **Flat Washer (E)** as shown.
- 2: Do not fully tighten **Bolts (C)** at this step also.

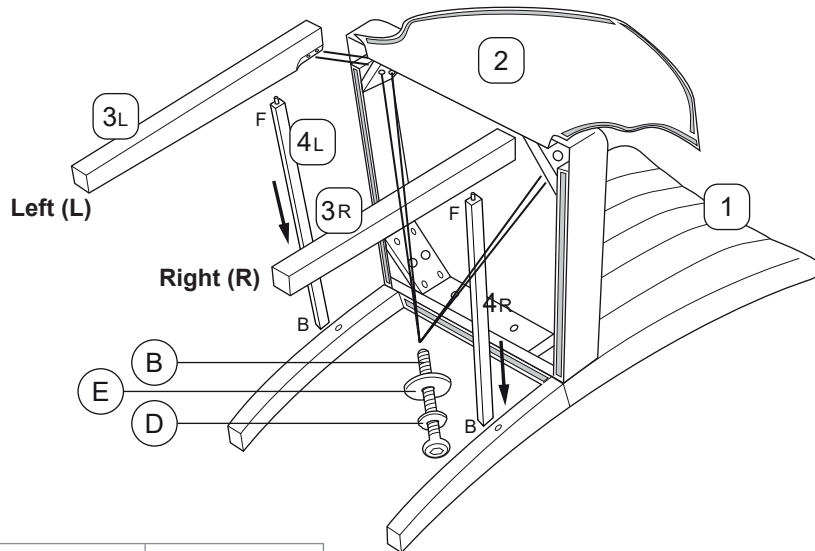


C x 4	D x 4	E x 4

Hardware & Tool required

STEP 3:

- 1: Insert **Stretcher (4)** into the upper hole on the bottom of **Front Leg (3)** and **Seat Frame (2)** as shown.
- 2: Insert 1 piece of **Front Leg (3)** into the upper hole on the bottom of **Seat Frame (2)** as shown.
- 3: Attach by 2 pieces of **Bolt (B)**, 2 pieces of **Spring Washer (D)** and 2 pieces of **Flat Washer (E)** as shown.
- 4: Repeat the same steps for **Front Leg (3)**.
- 5: Do not fully tighten **Bolt (B)** for either leg.

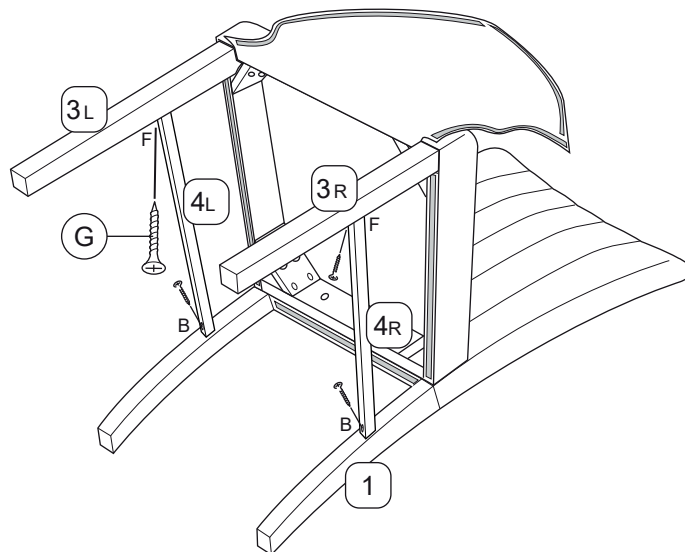


B x 4	D x 4	E x 4

Hardware & Tool required

STEP 4:

- 1: Attach 1 piece of **CSK M4 (G)** to the **Stretcher (4)** to **Chair Back (1)** and **Front Leg (3)**.
- 2: Repeat steps to the other side of the **Stretcher (4)**.

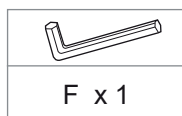
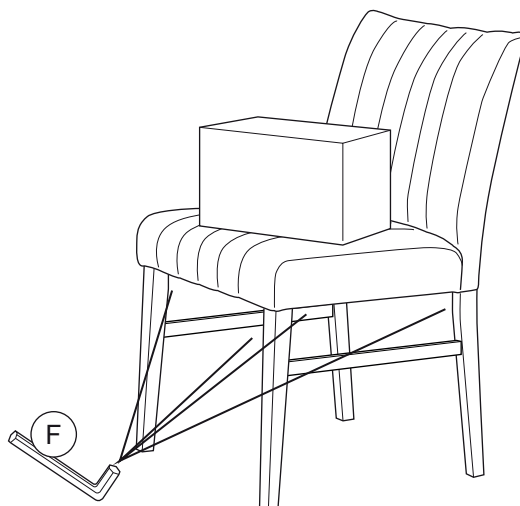


G x 4

Hardware & Tool required

STEP 5:

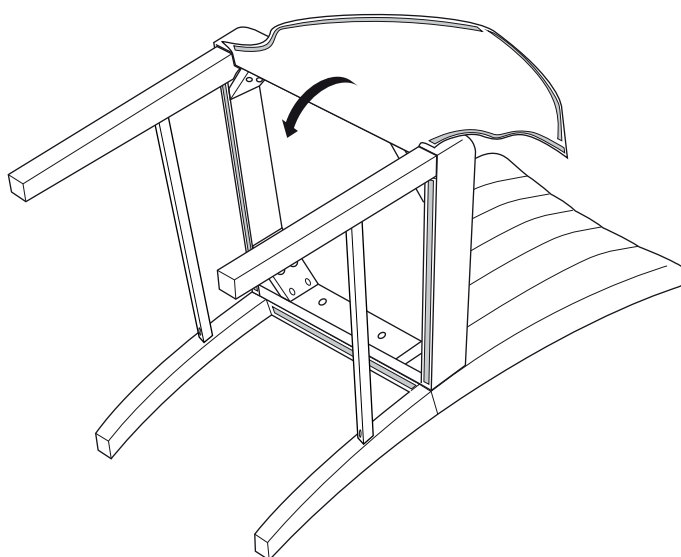
- 1: Carefully turn over the chair.
- 2: Please put a heavy object or seat one adult on top of the **Seat Frame (2)** to pressure the chair for leveling.
- 3: Fully tighten the **Bolts (A & B & C)** with **Allen Wrench (F)**.



Hardware & Tool required

STEP 6:

- 1: Please put back **Bottom Base Fabric** to connection Bottom of **Seat Frame (2)**.



Assembly is complete. The chair is ready to use now!

Hardware & Tool required