

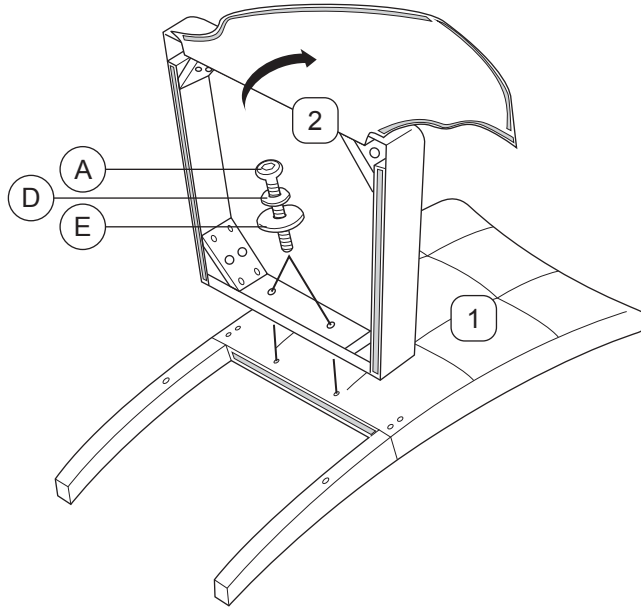
STEP 1:




Please put **Chair Back (1)** upside down on a carpeted or padded area.

Then open the black fabric which is attached by the Velcro from back to front on the bottom of the **Seat Frame (2)**. The inside of the **Seat Frame (2)** will now be visible.

Attach **Seat Frame (2)** to **Chair Back (1)** by using 2 pieces of **Bolt (A)**, 2 pieces of **Spring Washer (D)** and 2 pieces of **Flat Washer (E)** as shown.

Do not fully tighten **Bolt (A)** at this step.



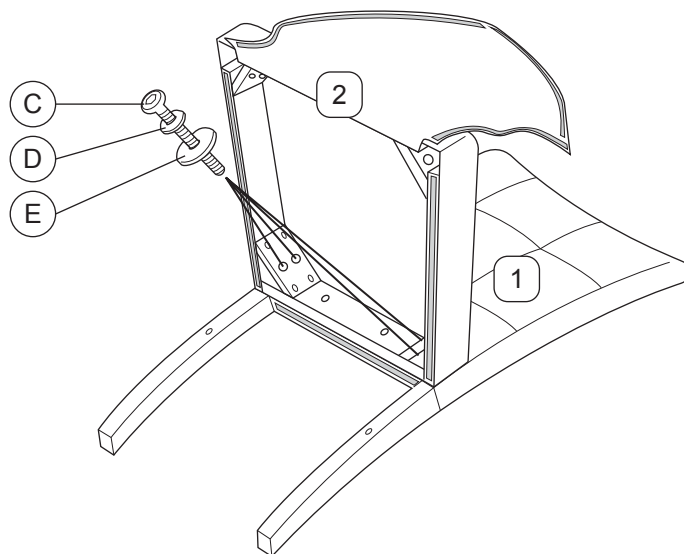
		
A x 2	D x 2	E x 2

Hardware & Tool required

STEP 2:

Attach **Seat Frame (2)** to **Chair Back (1)** by 4 pieces of **Bolt (C)**, 4 pieces of **Spring Washer (D)** and 4 pieces of **Flat Washer (E)** as shown.

Do not fully tighten **Bolts (C)** at this step also.



		
C x 4	D x 4	E x 4

Hardware & Tool required

STEP 3:

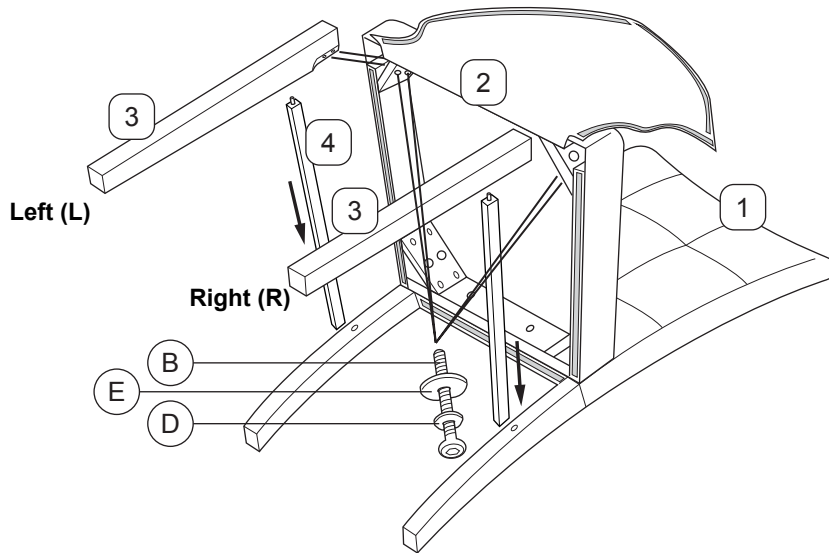
Insert **Stretcher (4)** into the upper hole on the bottom of **Front Leg (3)** and **Seat Frame (2)** as shown.




Insert 1 piece of **Front Leg (3)** into the upper hole on the bottom of **Seat Frame (2)** as shown.

Attach by 2 pieces of **Bolt (B)**, 2 pieces of **Spring Washer (D)** and 2 piece of **Flat Washer (E)** as shown.

Repeat the same steps for **Front Leg (3)**.

Do not fully tighten **Bolts (B)** for either leg.



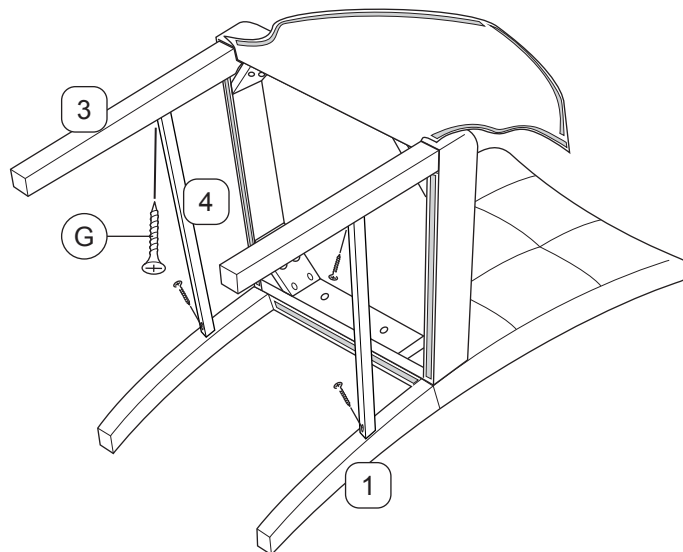
		
B x 4	D x 4	E x 4


Hardware & Tool required

STEP 4:

Attach 1 piece of **CSK M4 (G)** to the **Stretcher (4)** to **Chair Back (1)** and **Front Leg (3)**.

Repeat steps to the other side of the Stretcher.




G x 4

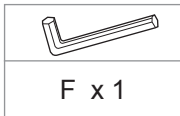
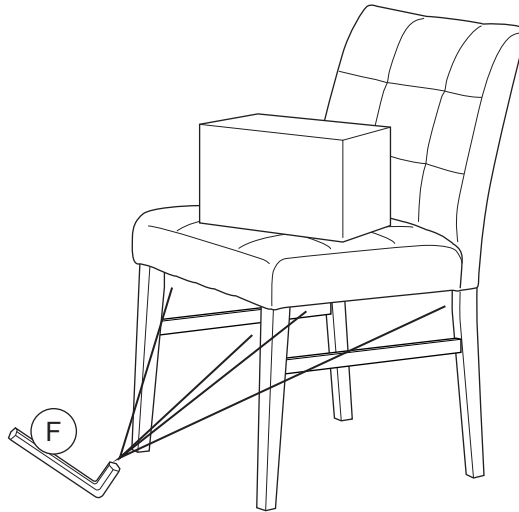
Hardware & Tool required

STEP 5:

Carefully turn over the chair.

Please put a heavy object or seat one adult on top of the **Seat Frame (2)** to pressure the chair for leveling.

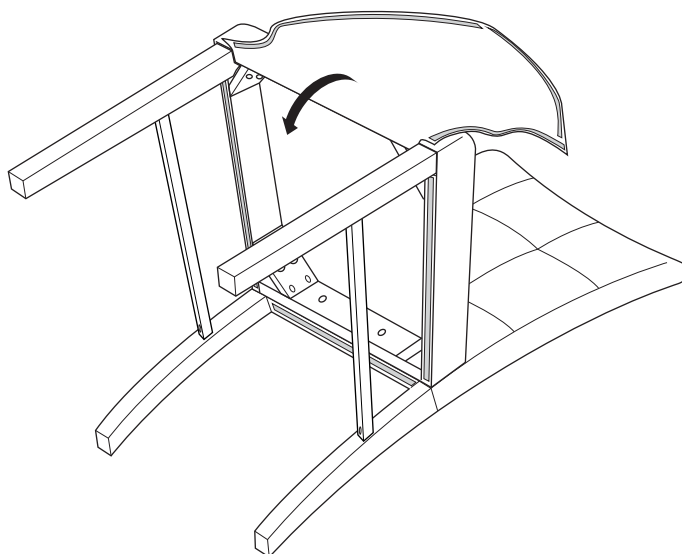
Fully tighten the **Bolts (A & B & C)** with **Allen Wrench (F)**.



Hardware & Tool required

STEP 6:

Please put back **Bottom Base Fabric** to connection Bottom of **Seat Frame (2)**.



Assembly is complete. The chair is ready to use now!

Hardware & Tool required