

EEI-3064 SOFA/ EEI-3065 CHAIR

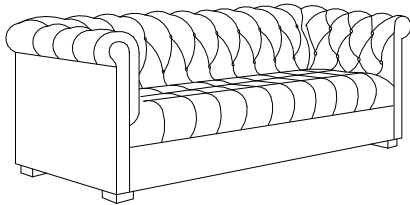


Thank you for purchasing the **MODWAY SOFA/ CHAIR**.

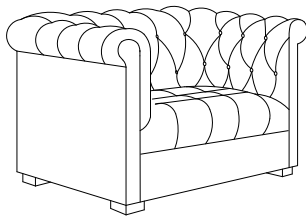
Before you start, here are some helpful advice:

1. We suggest you spend a short time reading through this leaflet and then follow the simple step-by-step instructions.
2. Owing to the size and weight of the sofa/ chair, we recommend that it is assembled by two adults, on a carpeted or padded area, in the room that it is intended for. Approximate assembly time: 20 minutes.
3. Please do not use any tools other than those provided or recommended in these instructions.
4. Please do not throw away any of the packaging or the instruction until you have checked all the components and hardware and the furniture is fully assembled. Please ensure that the packaging is disposed of in a safe and environmentally friendly way.
5. Assemble all components loosely until advised to tighten. Depending on use, it may be necessary to tighten the components from time to time, so please save the tools that have been provided.
6. Please keep all fitting out of reach of children.

EEI-3064



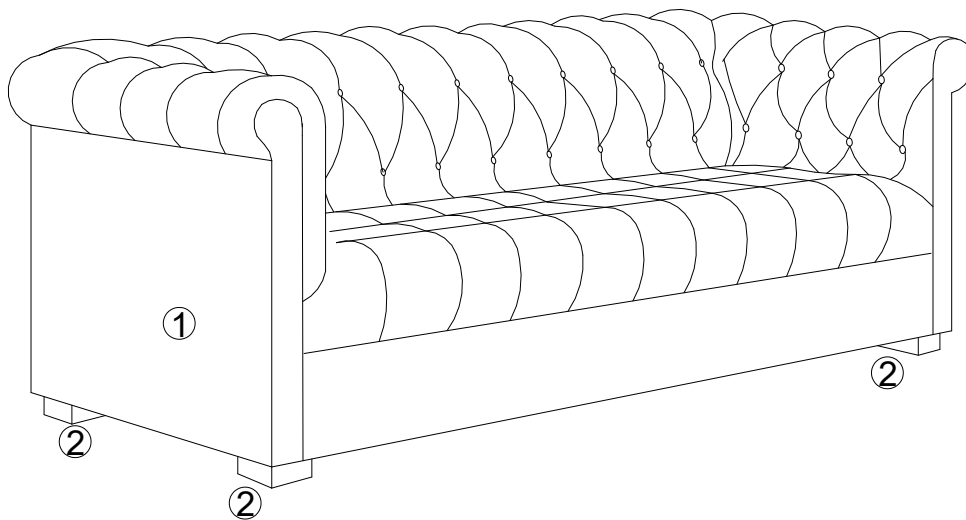
EEI-3065



Hardware:

- | | | | |
|----|--|---------------|-----|
| A. | | Bolt M8x80mm | x8 |
| B. | | Spring Washer | x 8 |
| C. | | Flat Washer | x 8 |
| D. | | Allen Wrench | x1 |

Component:



1 Sofa Body x1 2 Leg x 4

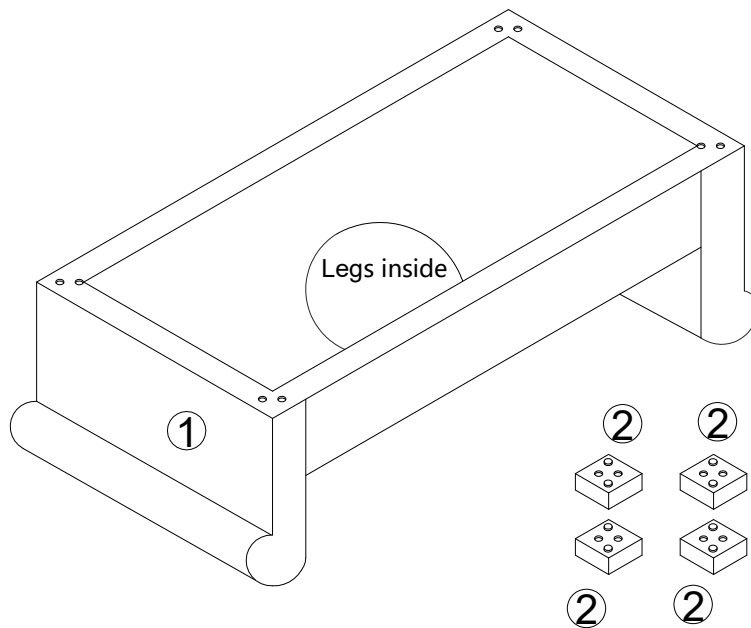
EEI-3064 SOFA/ EEI-3065 CHAIR



STEP 1:

Please put **Sofa Body (1)** on a carpeted or padded surface.

Open the Velcro strip on the bottom of the **Sofa Body (1)** and take out the 4 pieces of **Legs (2)** from the legs box.

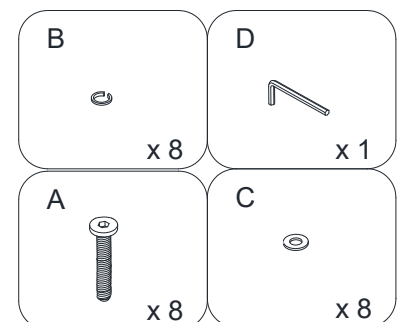
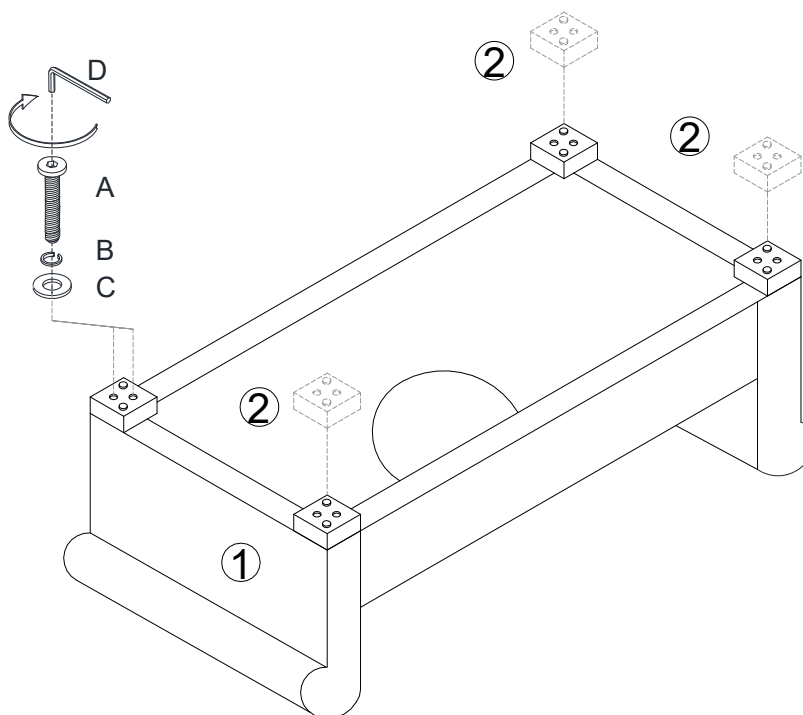


STEP 2:

Attach 1 piece of **Leg (2)** to the bottom of **Sofa Body (1)** by using 2 pieces of **Bolts (A)** with 2 pieces of **Spring Washers (B)** and 2 pieces of **Flat Washers (C)** as shown.

Repeat the same steps for other 3 pieces of **Legs (2)**.

Tighten **Bolts (A)** by using **Allen Wrench (D)** as shown.



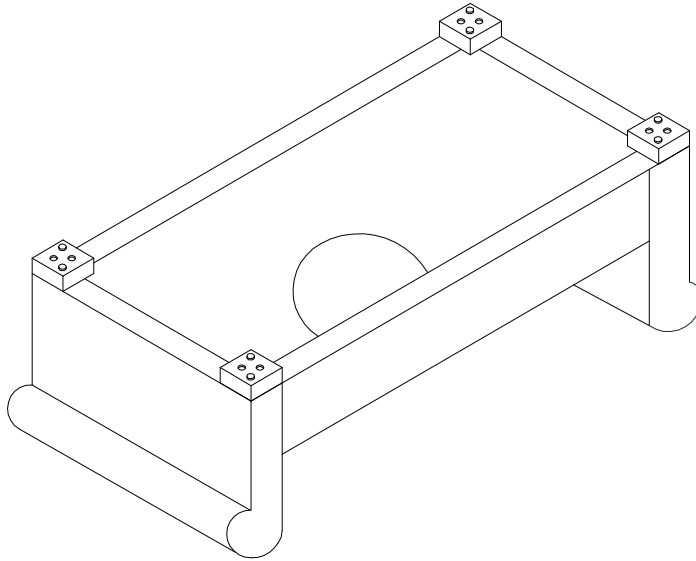
Hardware & Tools required

EEI-3064 SOFA/ EEI-3065 CHAIR



STEP 3:

Close the Velcro strip on the bottom of the **Sofa Body (1)**.



STEP 4:

Carefully turn over the assembled **Sofa Body (1)** and **Legs (2)** from step 3 as shown. Assembly is complete. Your Sofa/Chair is ready to be used now!

