

EEI-3059 SOFA/EEI-3060 CHAIR



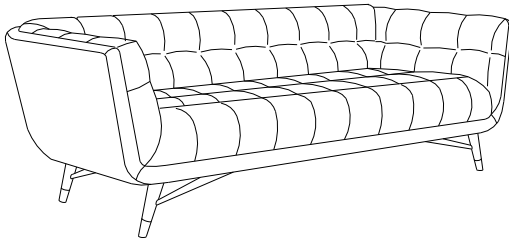
Thank you for purchasing the MODWAY SOFA/CHAIR.

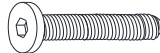
Before you start, here are some helpful advice:

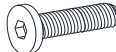
1. We suggest you spend a short time reading through this leaflet and then follow the simple step-by-step instructions.
2. Owing to the size and weight of the sofa/chair, we recommend that it is assembled by two adults, on a carpeted or padded area, in the room that it is intended for. Approximate assembly time: 20 minutes.
3. Please do not use any tools other than those provided or recommended in these instructions.
4. Please do not throw away any of the packaging or the instruction until you have checked all the components and hardware and the furniture is fully assembled. Please ensure that the packaging is disposed of in a safe and environmentally friendly way.
5. Assemble all components loosely until advised to tighten. Depending on use, it may be necessary to tighten the components from time to time, so please save the tools that have been provided.
6. Please keep all fitting out of reach of children.

Hardware:

EEI-3059



A.  Bolt M8x 65mm x 8

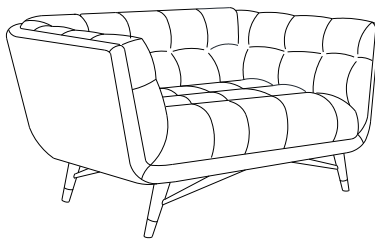
B.  Bolt M8x 55mm x 4

C.  Spring Washer x 12

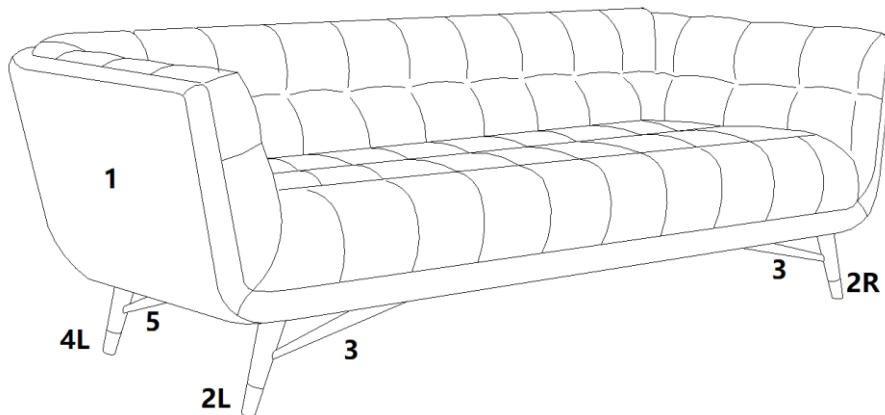
D.  Flat Washer x 12

E.  Allen Wrench x1

EEI-3060



Components:



- | | | |
|-------------------|-------------------------|---------------------------|
| 1 Sofa Body x1 | 2L/2R Front Leg x 2 | 3 Front leg stretcher x 2 |
| 4L/4R Back Leg x2 | 5 Back leg stretcher x2 | |

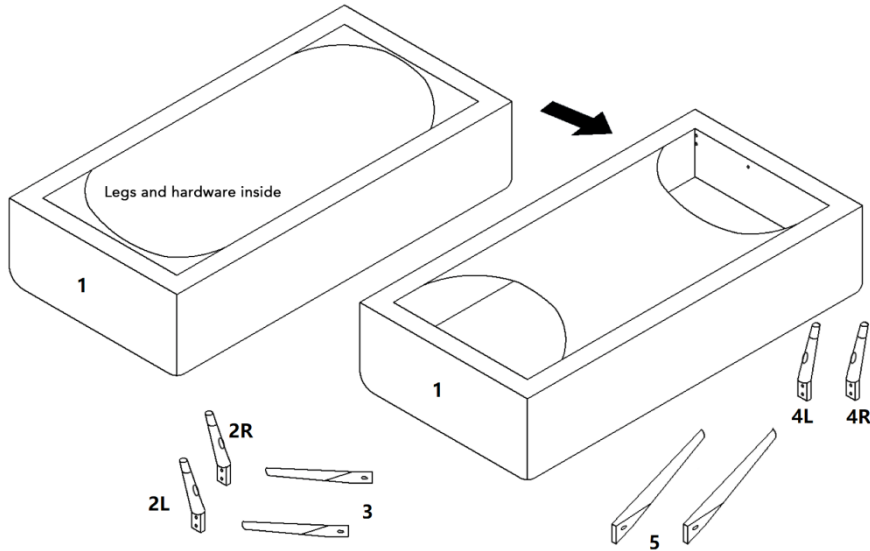
EEI-3059 SOFA/EEI-3060 CHAIR



STEP 1:

Please put **Sofa Body (1)** on a carpeted or padded surface.

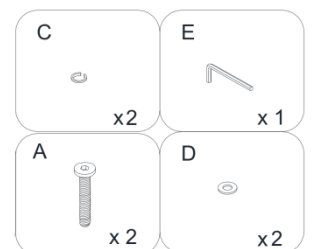
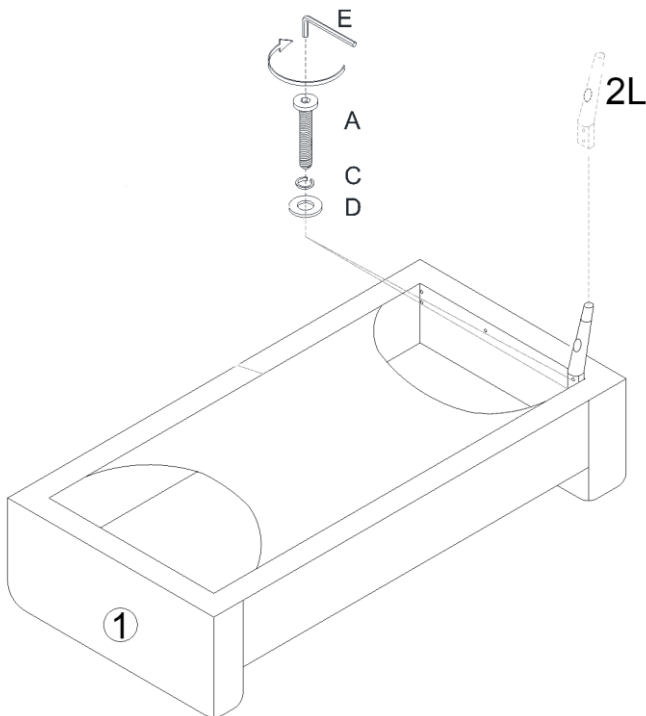
Open the zipper on the bottom of the **Sofa Body (1)** and take out the 2 pieces of **Front Legs (2L/2R)** & **Front leg stretcher (3)** and 2 pieces of **Back Legs (4L/4R)** & **Back leg stretcher (5)** and hardware from the legs box.



STEP 2:

Attach 1 piece of **Front Leg (2L)** to the bottom of **Sofa Body (1)** by using 2 pieces of **Bolts (A)** with 2 pieces of **Spring Washer (C)** and 2 pieces of **Flat Washer (D)** as shown.

Tighten **Bolts (A)** by using **Allen Wrench (E)** as shown.

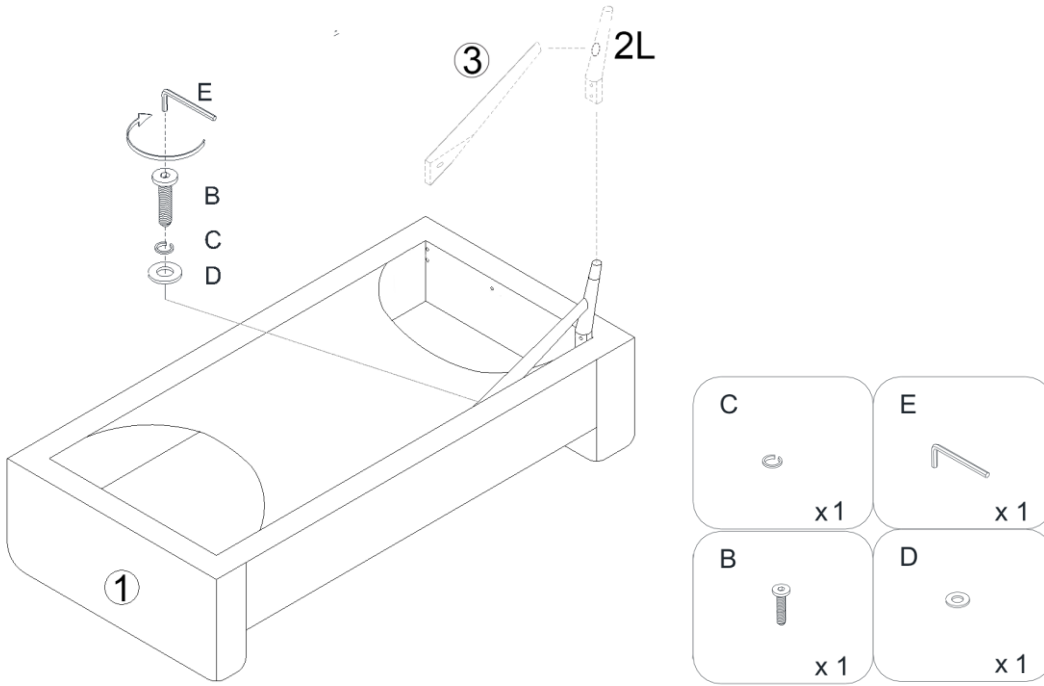


EEI-3059 SOFA/EEI-3060 CHAIR



STEP 3:

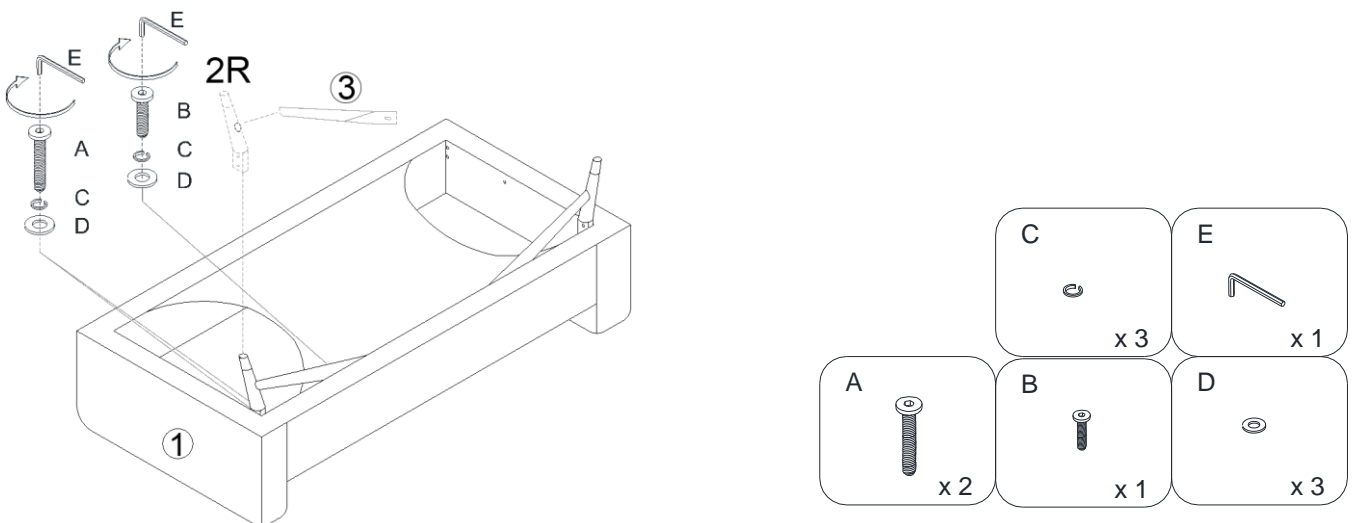
Insert the smaller end of **Front Leg stretcher(3)** into the hole of **Front Leg (2L)** and attach the other end of **Front Leg stretcher (3)** to the bottom of **Sofa Body (1)** by using 1 piece of **Bolts (B)** with 1 piece of **Spring Washer (C)** and 1 piece of **Flat Washer (D)** as shown.



Hardware & Tools required

STEP 4:

Attach 1 piece of **Front Leg (2R) & Front Leg stretcher (3)** to the bottom of **Sofa Body (1)** by using 2 pieces of **Bolts (A)** and 1 piece of **Bolt (B)** with 3 pieces of **Spring Washer (C)** and 3 pieces of **Flat Washer (D)** as shown. Tighten Bolts by using **Allen Wrench (E)** as shown



Hardware & Tools required

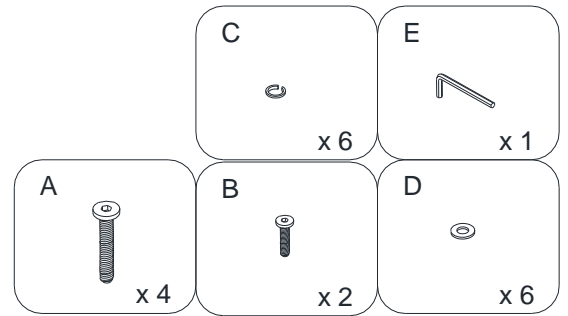
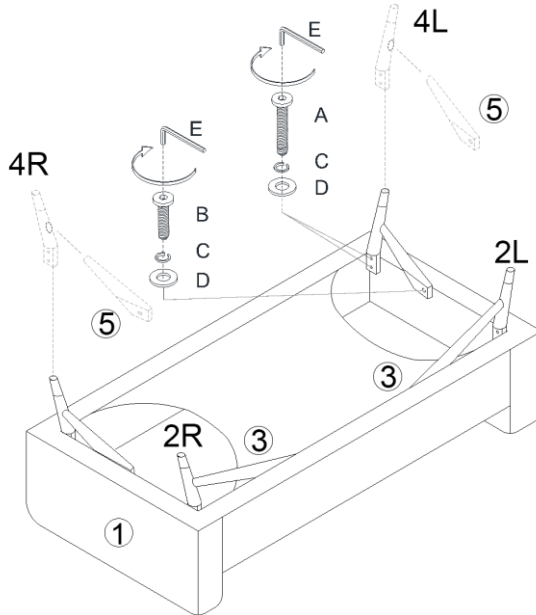
EEI-3059 SOFA/EEI-3060 CHAIR



STEP 5:

Repeat the same steps for other pieces of **Leg (4R/4L) & Back Leg stretcher (5)**.

Tighten Bolts by using **Allen Wrench (E)** as shown

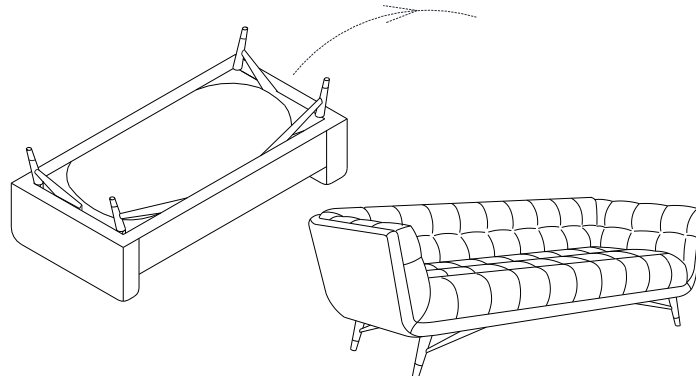
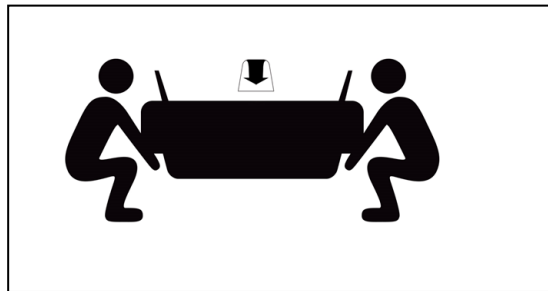
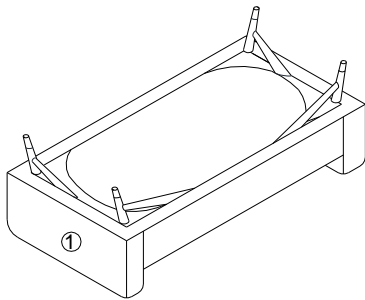


Hardware & Tools required

STEP 6:

Close the zipper on the bottom of the **Sofa Body (1)**.

Carefully turn over the assembled **Sofa Body (1)** and **Legs (2) & (4)** from step 5 by two adults as shown to avoid leg crack.



Assembly is complete. Your Sofa/Chair is ready to be used now!