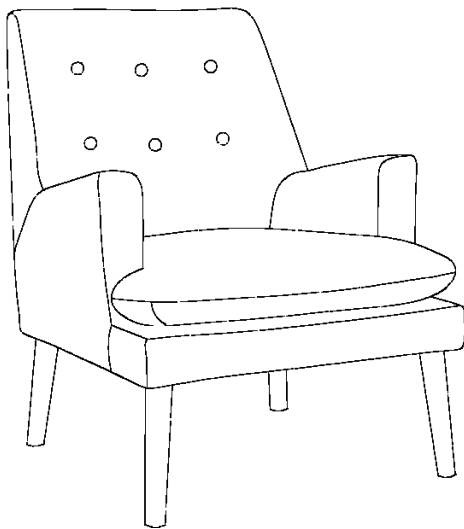


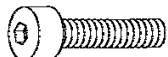
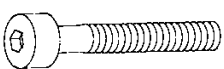


Thank you for purchasing the **MODWAY CHAIR**!

Before you start, here are some helpful advice:

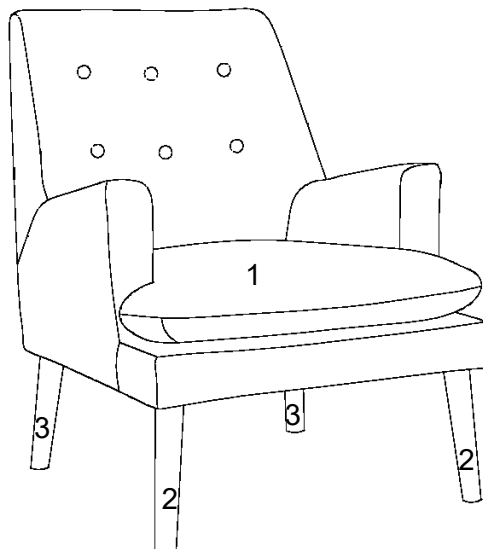
1. We suggest you spend a short time reading through this leaflet and then follow the simple step-by-step instructions.
2. Owing to the size and weight of the chair, we recommend that it is assembled by two adults, on a carpeted or padded area, in the room that it is intended for. Approximate assembly time: 30 minutes.
3. Please do not use any tools other than those provided or recommended in these instructions.
4. Please do not throw away any of the packaging or the instruction until you have checked all the components and hardware and the furniture is fully assembled. Please ensure that the packaging is disposed of in a safe and environmentally friendly way.
5. Assemble all components loosely until advised to tighten. Depending on use, it may be necessary to tighten the components from time to time, so please save the tools that have been provided.
6. Please keep all fitting out of reach of children.



### Hardware:

A		Short Bolt M8x65mm	x4
B		Long Bolt M8x75mm	x4
C		Flat Washer M8	x8
D		Allen Wrench M5	x1

### Component:

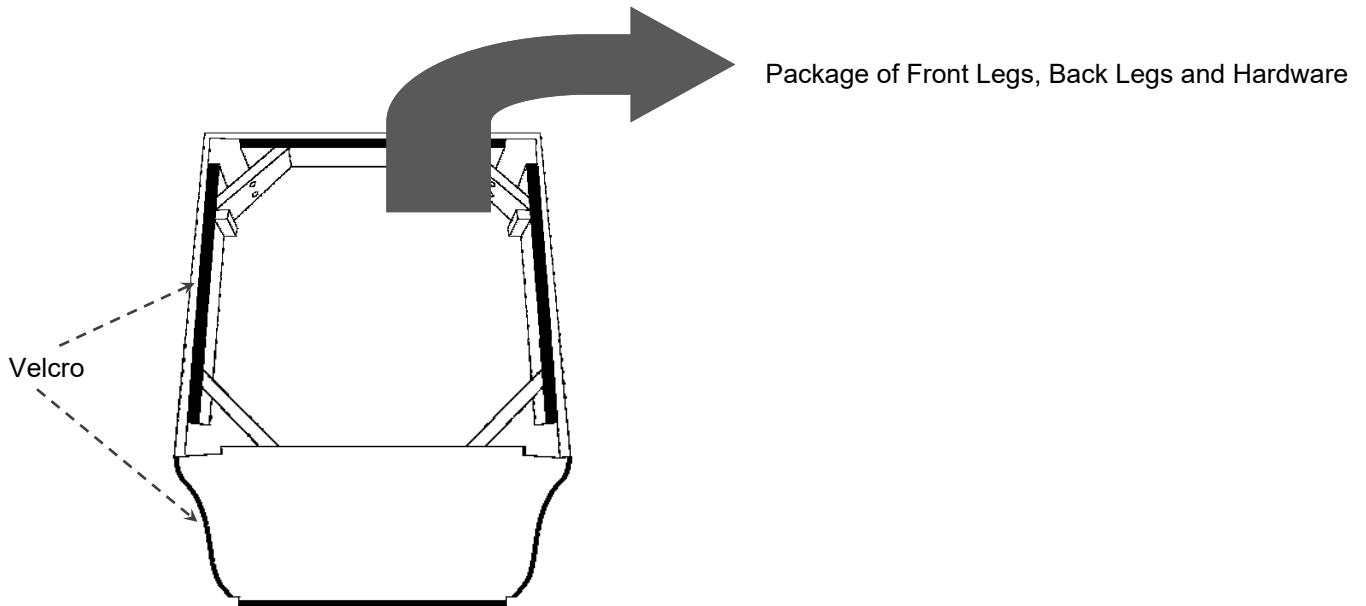


1	Chair Body	x1	2	Front Leg	x2	3	Back Leg	x2
---	------------	----	---	-----------	----	---	----------	----

## STEP 1:

Put **Chair Body (1)** upside down on a carpeted or padded surface.

Open Velcro on bottom of **Chair Body (1)** and find the package of **Front Legs (2)**, **Back Legs (3)** and Hardware as shown.



## STEP 2:

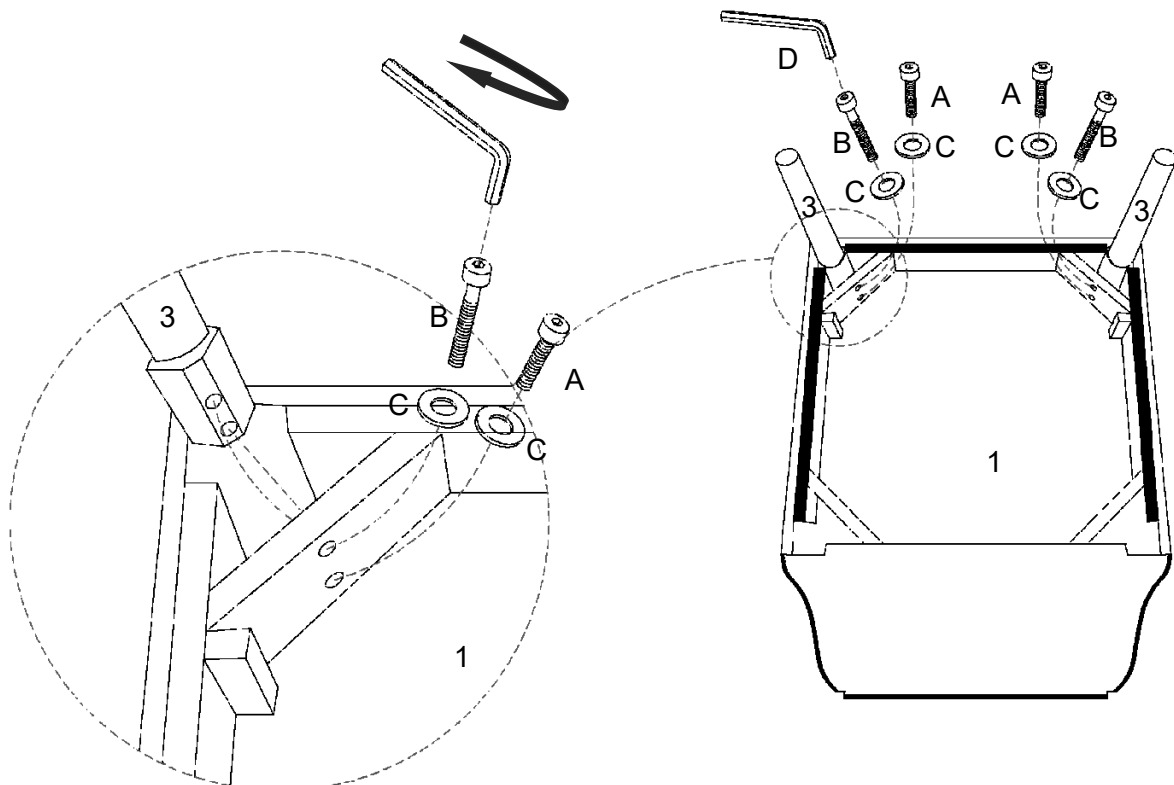
Make the position for assembling **Front Legs (2)** and **Back Legs (3)** fully visible.

Place 2 pieces of **Back Legs (3)** to the back position of **Chair Body (1)** as shown.

Insert 2 pieces of **Short Bolt (A)** with 2 pieces of **Flat Washer (C)** into the bottom pre-drilled holes on **Back Legs (3)** through the bottom pre-drilled on the back of **Chair Body (1)**.

Insert 2 pieces of **Long Bolt (B)** with 2 pieces of **Flat Washer (C)** into the top pre-drilled holes on **Back Legs (3)** through the top pre-drilled on the back of **Chair Body (1)**.

Use **Allen Wrench (D)** to tighten **Short Bolts (A)** and **Long Bolts (B)**. Do not fully tighten the **Bolts (A&B)** at this step.



Ax2	Bx2	Cx4	Dx1

Hardware & Tools required

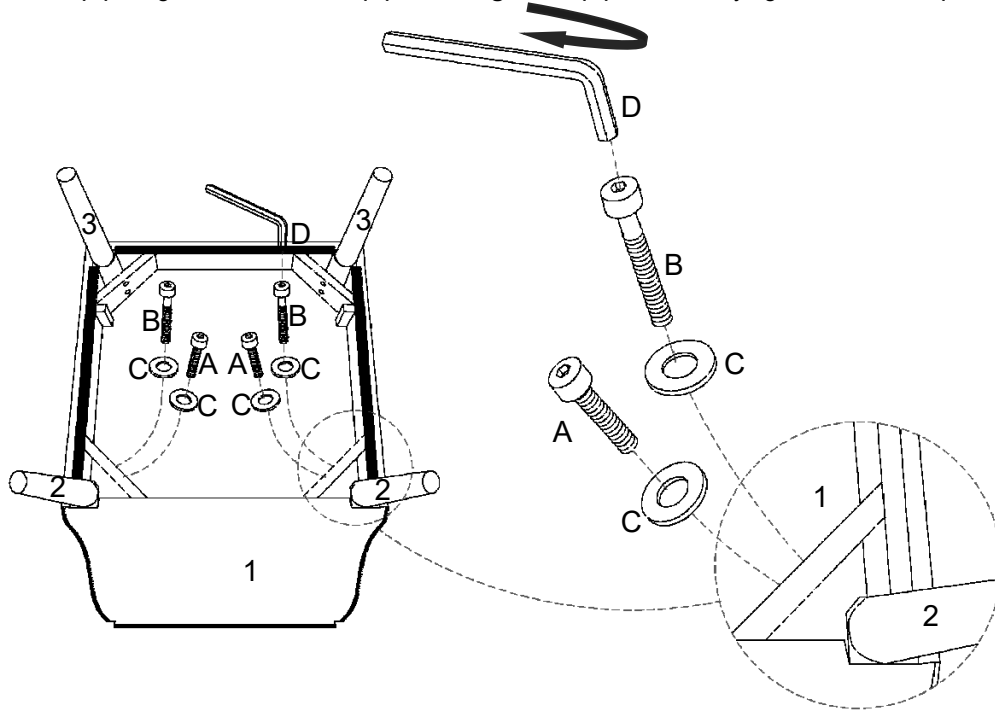
### STEP 3:

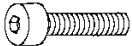
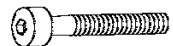


Place 2 pieces of **Front Legs (2)** to the front position of **Chair Body (1)** as shown.

Insert 2 pieces of **Short Bolt (A)** with 2 pieces of **Flat Washer (C)** into the bottom pre-drilled holes on **Front Legs (2)** through the bottom pre-drilled on the back of **Chair Body (1)**.

Insert 2 pieces of **Long Bolt (B)** with 2 pieces of **Flat Washer (C)** into the top pre-drilled holes on **Front Legs (2)** through the top pre-drilled on the front of **Chair Body (1)**.

Use **Allen Wrench (D)** to tighten **Short Bolts (A)** and **Long Bolts (B)**. Do not fully tighten the **Bolts (A&B)** at this step.



			
Ax2	Bx2	Cx4	Dx1

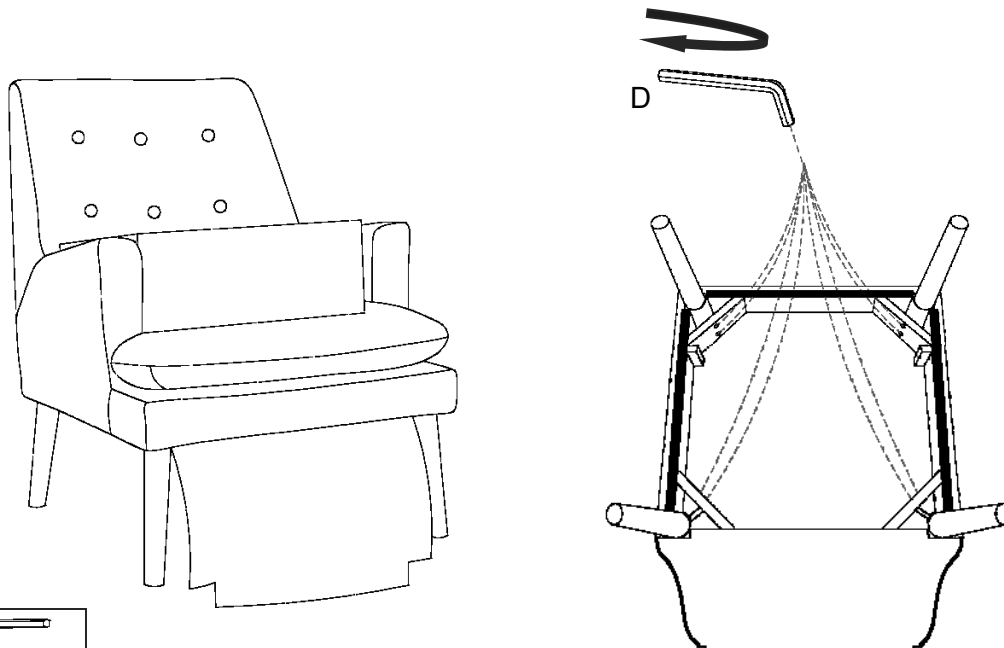
Hardware & Tools required


### STEP 4:

Carefully turn over the assembling chair .

Please put a heavy object or seat one adult on top of the assembled Chair to pressure the chair for leveling.

Turn upside down again, then use **Allen Wrench (D)** to tighten **Short Bolts (A)** and **Long Bolts (B)** clockwise until secure.

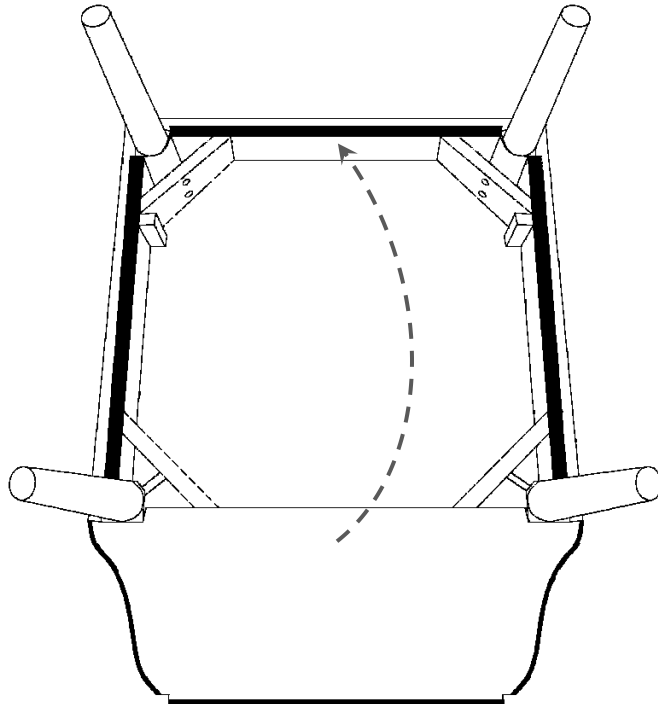



Dx1

Hardware & Tools required

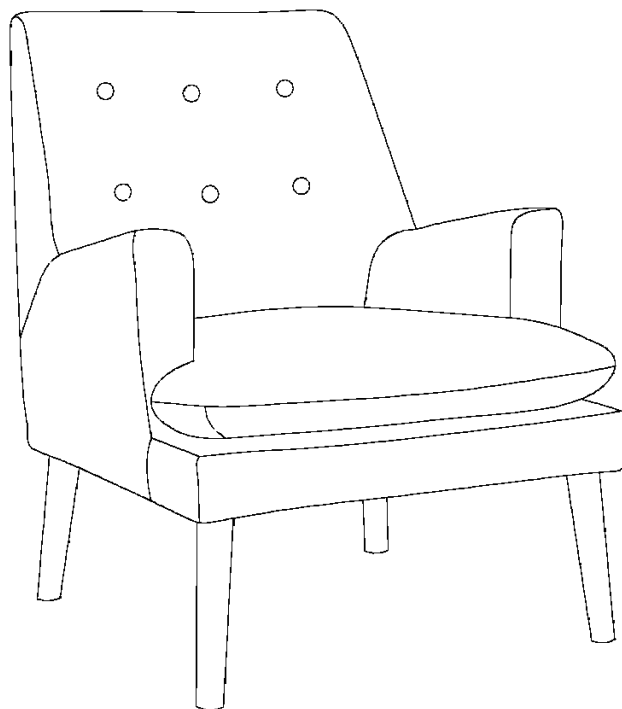
## STEP 5:

Carefully cover the bottom of **Chair Body (1)** by Velcro as shown.



## STEP 6:

Carefully turn over the assembled Chair.



Assembly is complete. Your chair is ready to be used now!