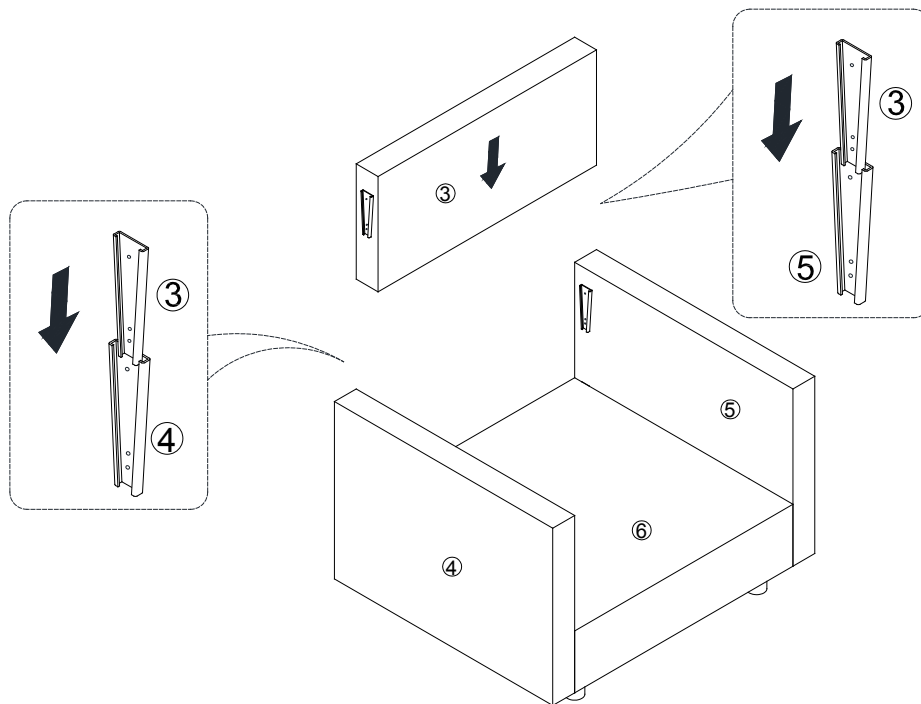


STEP 5:

Slide the two clips of **Back Frame (3)** to the clips of the side of the **Left Arm (4)**, **Right Arm (5)** by hand in the direction of the arrow as shown.

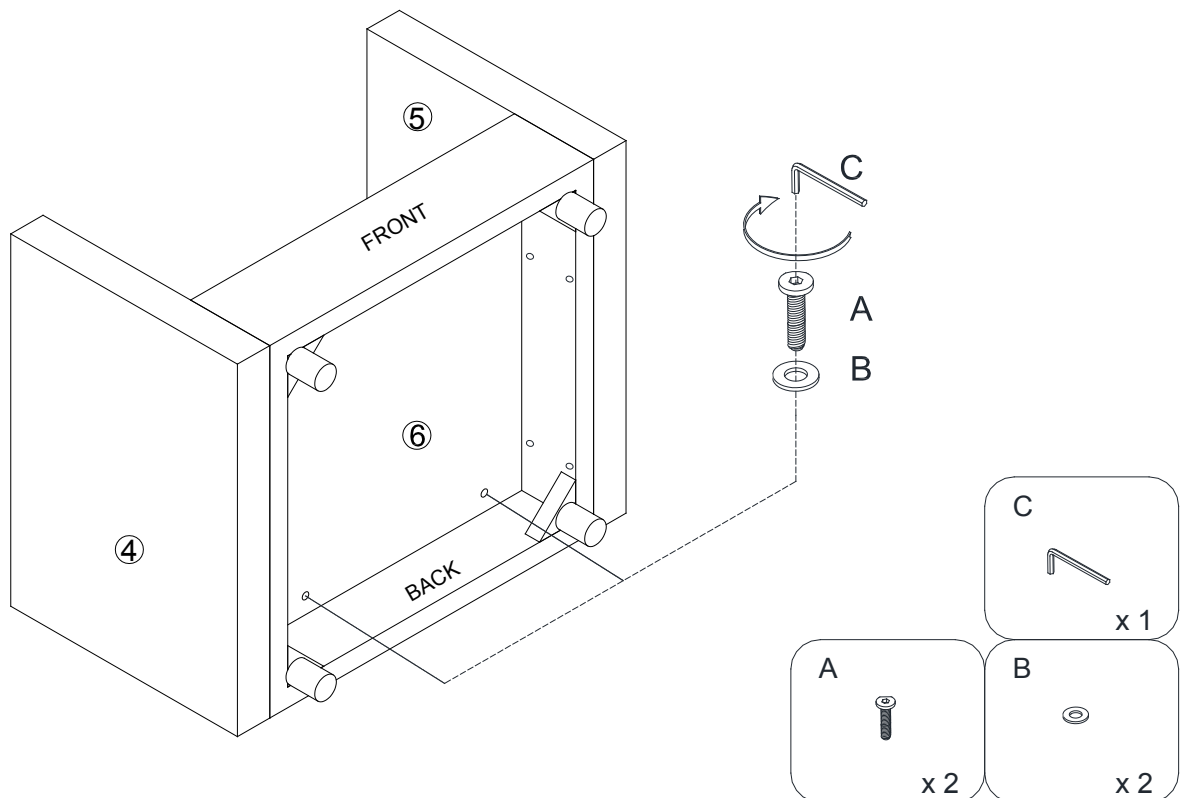


STEP 6:

Insert 2 pieces of **Bolts (A)** with 2 pieces of **Flat Washers (B)** into the pre-drilled holes on **Seat Frame (6)**.

Use **Allen Wrench (C)** to tighten **Bolts (A)** as shown. Don't tight **Bolts (A)** fully.

When **Left Arm (4)**, **Right Arm (5)** and **Back Frame (3)** fixed, please fully tighten all **Bolts (A)**.



Hardware & Tools required

EEI-3045 Chair

STEP 7:

Put **Back Cushion (1)** and **Seat Cushion (2)** to the assembled chair as shown.

Assembly is complete. Your Chair is ready to be used now!

