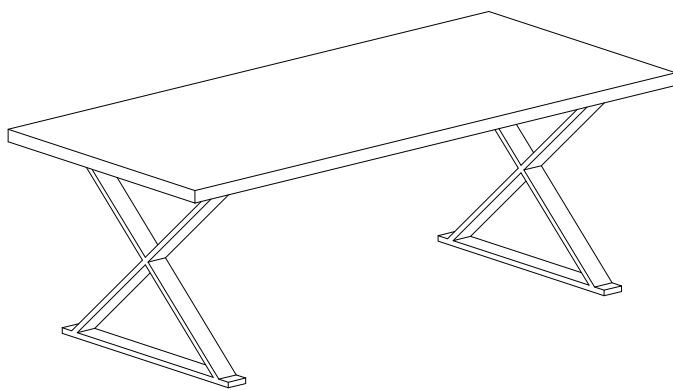


# EEI-2874/ EEI-2875/ EEI-2876 DINNING TABLE

Thank you for purchasing the **MODWAY DINING TABLE** !

Before you start, here is some helpful advice:

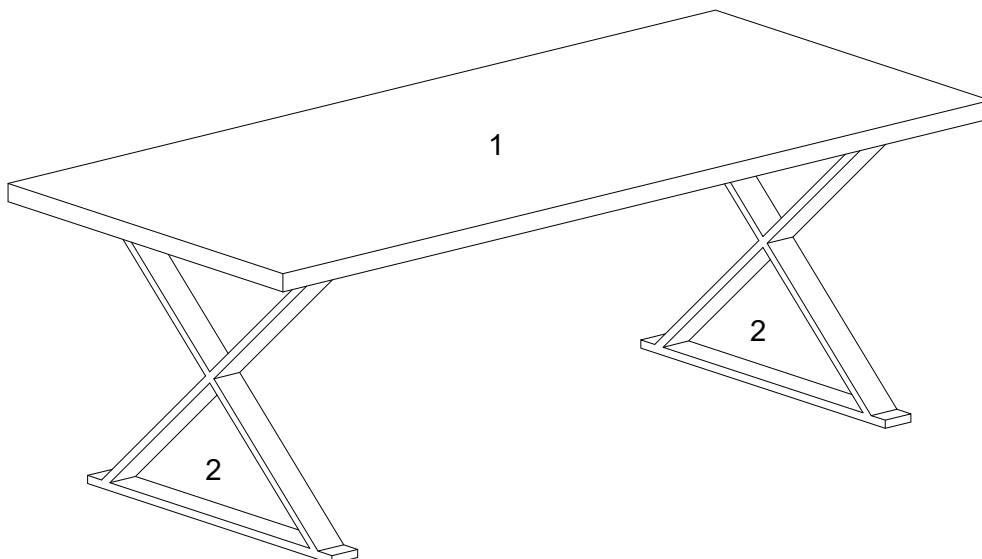
1. We suggest you spend a short time reading through this leaflet and then follow the simple step-by-step instructions.
2. Owing to the size and weight of the dining table, we recommend that it is assembled by two adults, on a carpeted or padded area, in the room that it is intended for. Approximate assembly time: 30 minutes.
3. Please do not use any tools other than those provided or recommended in these instructions.
4. Please do not throw away any of the packaging or the instruction until you have checked all the components and hardware and the furniture is fully assembled. Please ensure that the packaging is disposed of in a safe and environmentally friendly way.
5. Assemble all components loosely until advised to tighten. Depending on use, it may be necessary to tighten the components from time to time, so please save the tools that have been provided.
6. Please keep all fitting out of reach of children.



## Hardware:

A		Bolt M8x40mm	x12
B		Flat Washer M8	x12
C		Allen Wrench M5	x1

## Components:



1 Top Frame x1

2 Leg x2

# EEI-2874/ EEI-2875/ EEI-2876 DINNING TABLE

## STEP 1:

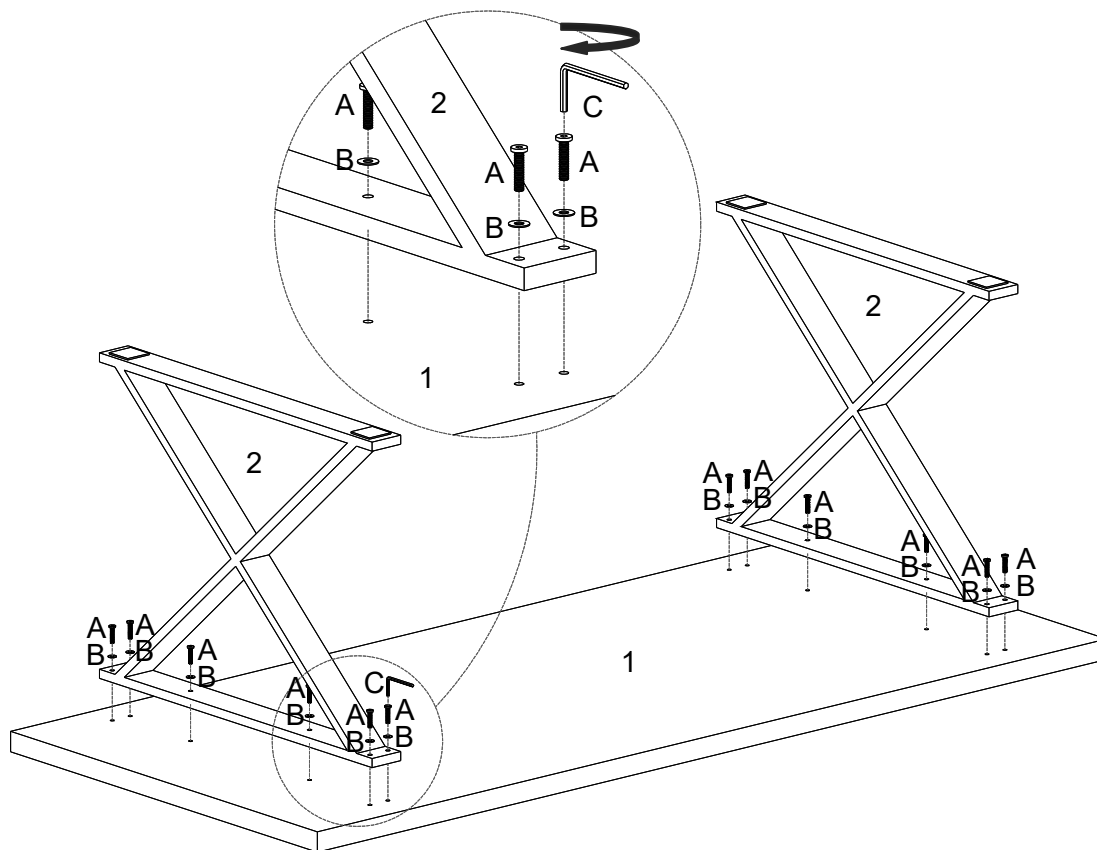
Put **Table Top (1)** upside down on a carpeted or padded surface.

Place 1 piece of **Leg (2)** to **Table Top (1)** as shown.

Insert 6 pieces of **Bolts (A)** with 6 pieces of **Flat Washers (B)** into the pre-drilled holes on **Table Top (1)** through the pre-drilled holes on **Legs (B)**.

Use **Allen Wrench (C)** to tighten **Bolts (A)** clockwise until secure.

Repeat the same steps for the remaining **Leg (B)**.

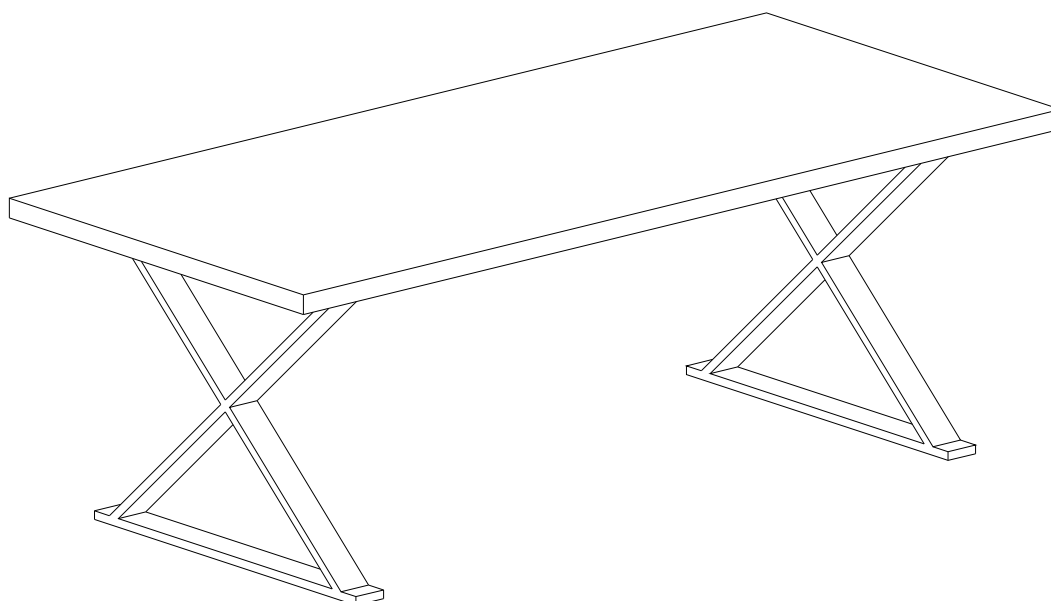


Ax12	Bx12	Cx1

Hardware & Tools required

## STEP 2:

Carefully turn over the assembled dining table.



Assembly is complete. Your dining table is ready to be used now!