

EEI -3027 ROCKING CHAIR



Thank you for purchasing the MODWAY ROCKING CHAIR !

Before you start, here are some helpful advice:

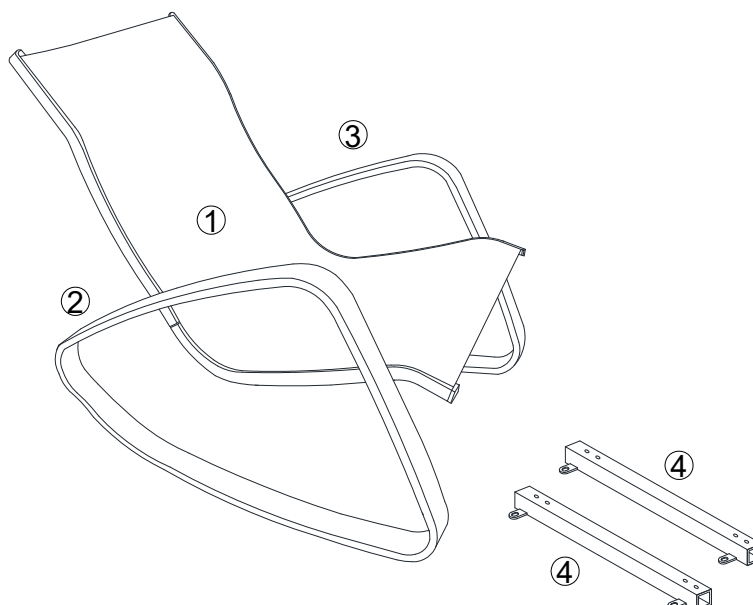
1. We suggest you spend a short time reading through this leaflet and then follow the simple step-by-step instructions.
2. Owing to the size and weight of the chair, we recommend that it is assembled by two adults, on a carpeted or padded area, in the room that it is intended for. Approximate assembly time: 30 minutes.
3. Please do not use any tools other than those provided or recommended in these instructions.
4. Please do not throw away any of the packaging or the instruction until you have checked all the components and hardware and the furniture is fully assembled. Please ensure that the packaging is disposed of in a safe and environmentally friendly way.
5. Assemble all components loosely until advised to tighten. Depending on use, it may be necessary to tighten the components from time to time, so please save the tools that have been provided.
6. Please keep all fitting out of reach of children.



Hardware:

A.		Bolt M6x35mm	x 3
B.		Bolt M6x25mm	x 4
C.		Bolt M6x15mm	x 8
D.		Flat Washer	x 15
E.		Nut	x 3
F.		Allen Wrench	x 1
G.		Wrench	x 1

Component:



1 Mesh with Frame x 1

2 Left Arm x 1

3 Right Arm x 1

4 Rail x 2

EEI -3027 ROCKING CHAIR

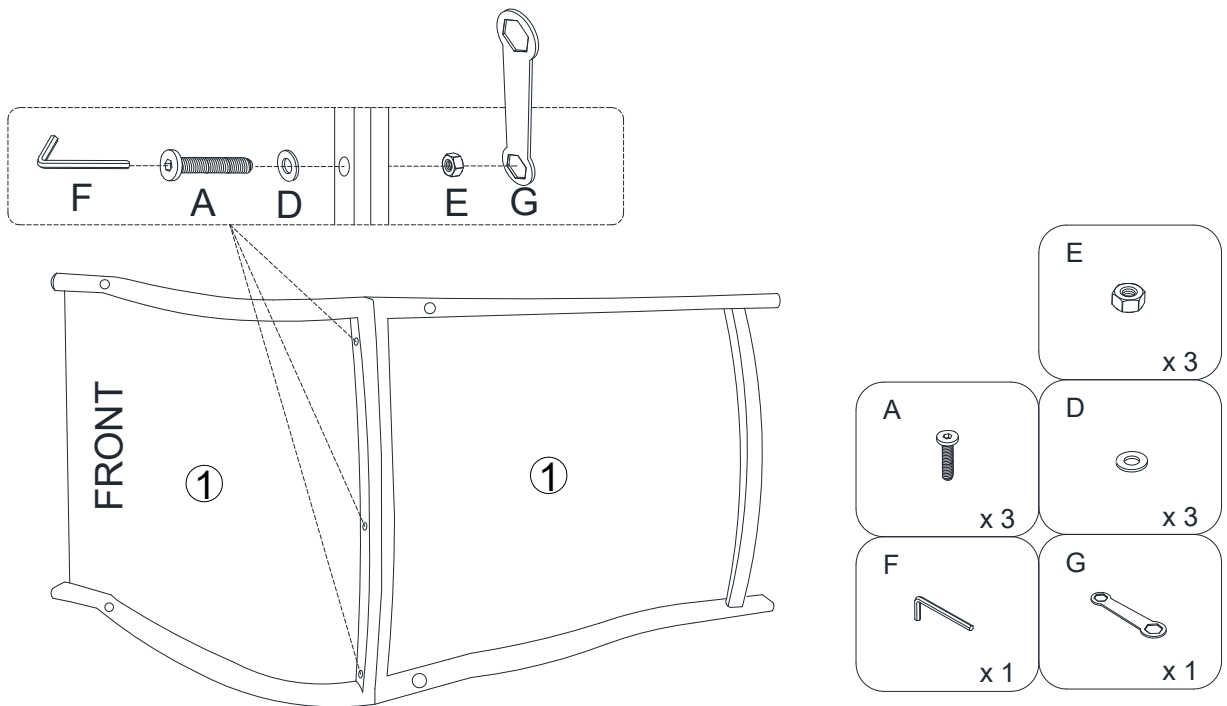


STEP 1:

Please open **Mesh with Frame (1)** and put on a carpeted or padded surface.

Insert 3 pieces of **Bolts (A)** with 3 pieces of **Flat Washers (D)** into the top holes on the back frame of **Mesh with Frame (1)** as shown.

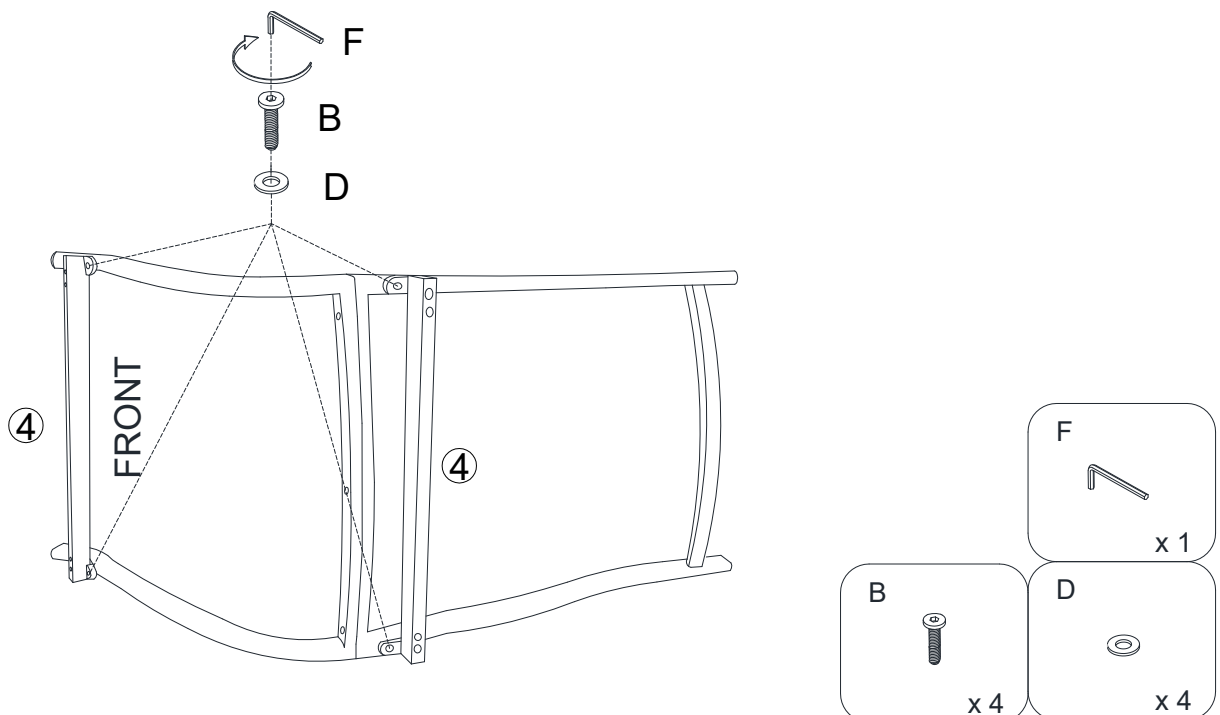
Then insert 3 pieces of **Nuts (E)** into the **Bolts (A)**, tighten **Bolts (A)** by using **Allen Wrench (F)** and **Wrench (G)** as shown.



Hardware & Tools required

STEP 2:

Attach 2 pieces of **Rails (4)** to the bottom of back frame of **Mesh with Frame (1)** by using 4 pieces of **Bolts (B)** with 4 pieces of **Flat Washers (D)** as shown. Tighten **Bolts (B)** by using **Allen Wrench (F)** as shown.

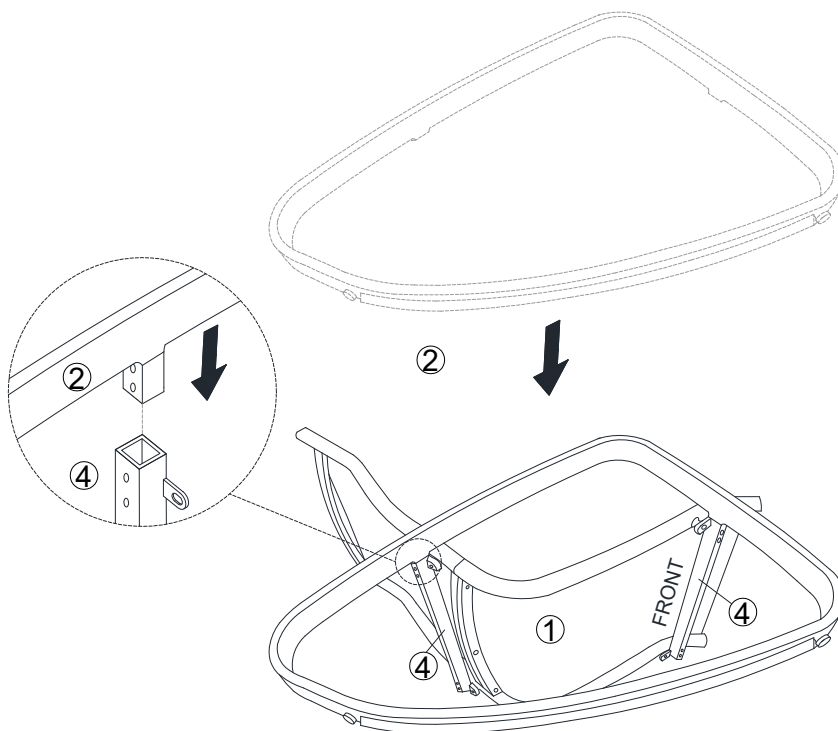


Hardware & Tools required

EEI -3027 ROCKING CHAIR

STEP 3:

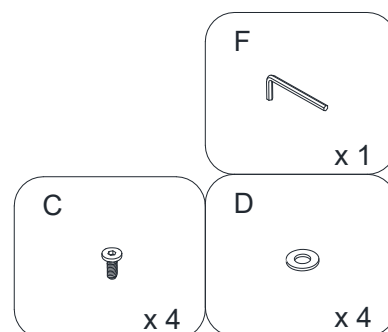
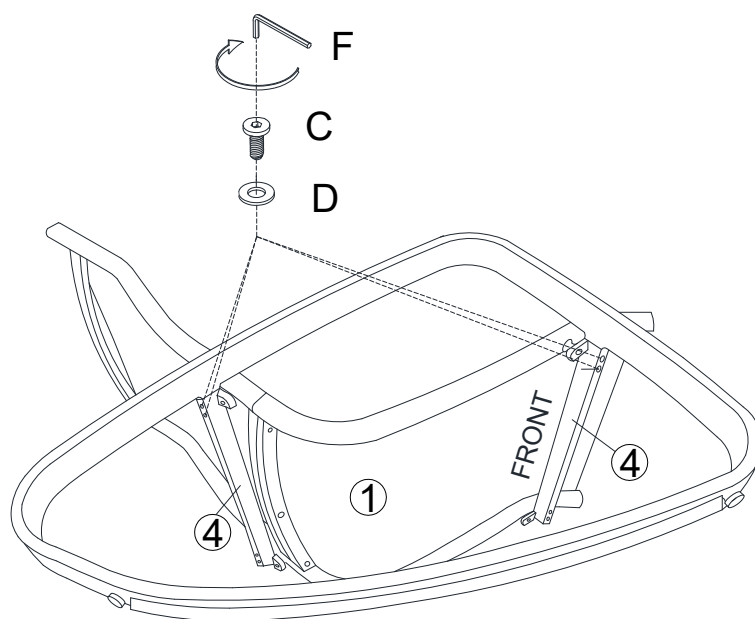
Insert **Left Arm (2)** into the pre-drilled holes on **Rails (4)** as shown.



STEP 4:

Insert 4 pieces of **Bolt (C)** with 4 pieces of **Flat Washers (D)** into the pre-drilled holes on **Rails (4)**.

Tighten **Bolts (C)** by using **Allen Wrench (F)** as shown

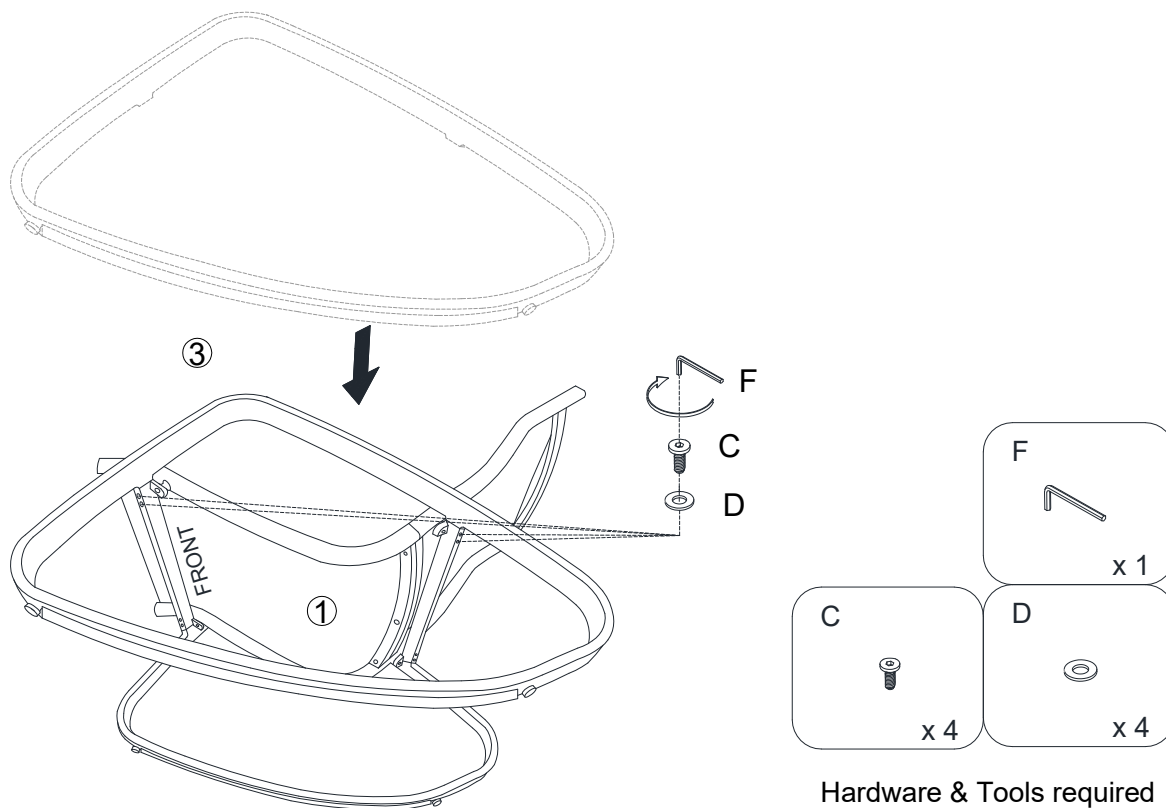


Hardware & Tools required

EEI -3027 ROCKING CHAIR

STEP 5:

Attach **Right Arm (3)** into the pre-drilled holes on **Rail (4)** then insert 4 pieces of **Bolts (C)** with 4 pieces of **Flat Washers (D)** as shown. Tighten **Bolts (C)** by using **Allen Wrench (F)** as shown.



STEP 6:

Carefully turn over the assembled rocking chair.

Assembly is complete. Your rocking chair is ready to be used now!

