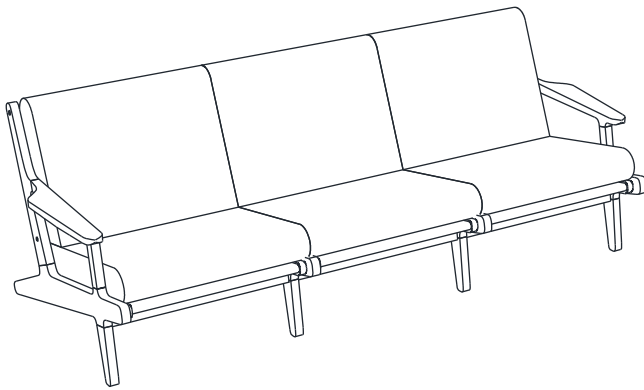




Thank you for purchasing the **MODWAY THREE SEATER!**

Before you start, here are some helpful advice:

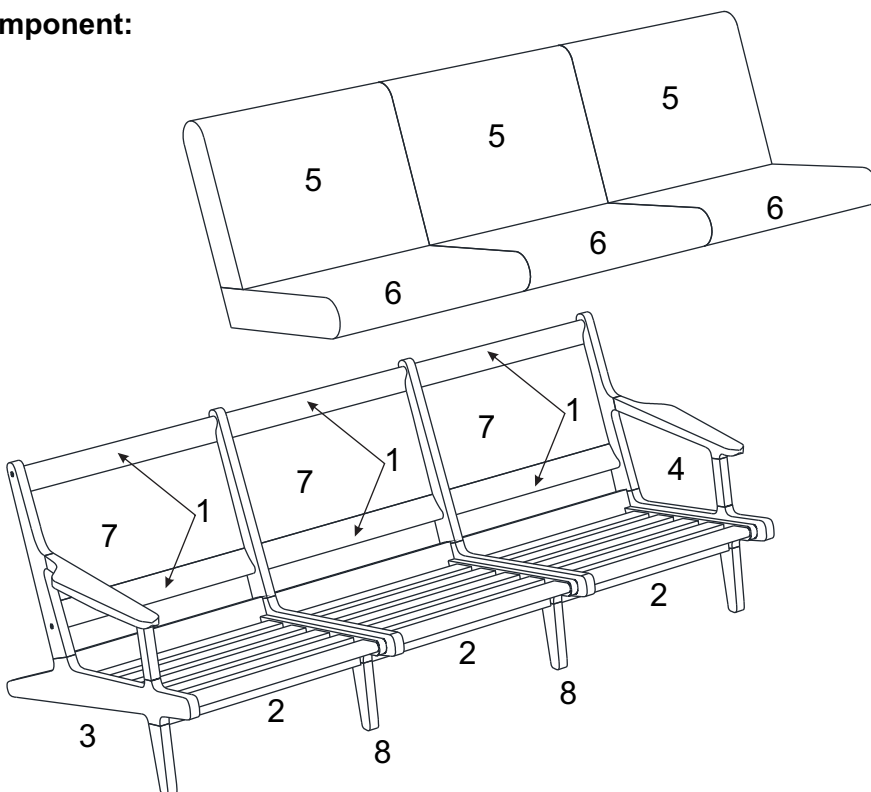
1. We suggest you spend a short time reading through this leaflet and then follow the simple step by step instructions.
2. Owing to the size and weight of the three seater, we recommend that it is assembled by two adults, on a carpeted or padded area, in the room that it is intended for. Approximate assembly time: 30 minutes.
3. Please do not use any tools other than those provided or recommended in these instructions.
4. Please do not throw away any of the packaging or instructions until you have checked all the components and hardware and the furniture is fully assembled.
5. Assemble all components loosely until advised to tighten. Depending on use, it may be necessary to tighten the components from time to time, so please save the tools that have been provided.
6. Please keep all pieces out of reach of small children.



### Hardware:

- |   |  |                 |      |
|---|--|-----------------|------|
| A |    | Bolt M8x40mm    | x 16 |
| B |  | Allen Wrench M5 | x 1  |

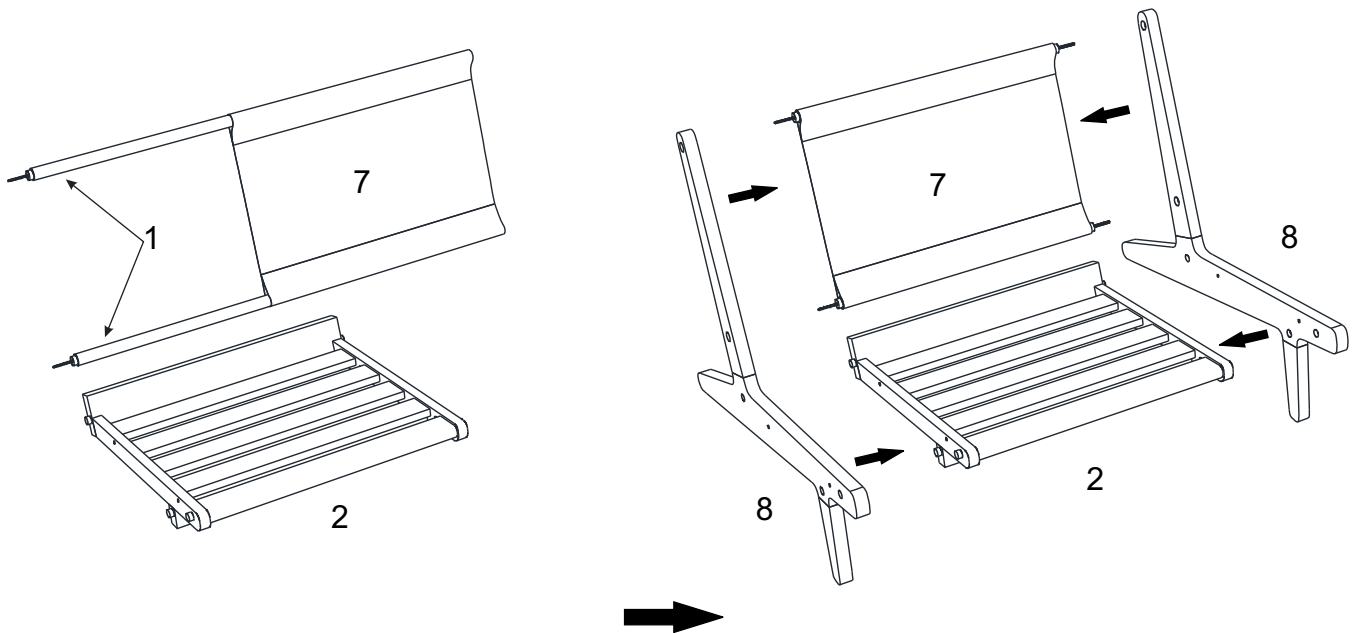
### Component:



- |                 |    |
|-----------------|----|
| 1. Chair Back   | x6 |
| 2. Chair Seat   | x3 |
| 3. Left Frame   | x1 |
| 4. Right Frame  | x1 |
| 5. Back Cushion | x3 |
| 6. Seat Cushion | x3 |
| 7. Batyline     | x3 |
| 8. Middle Frame | x1 |

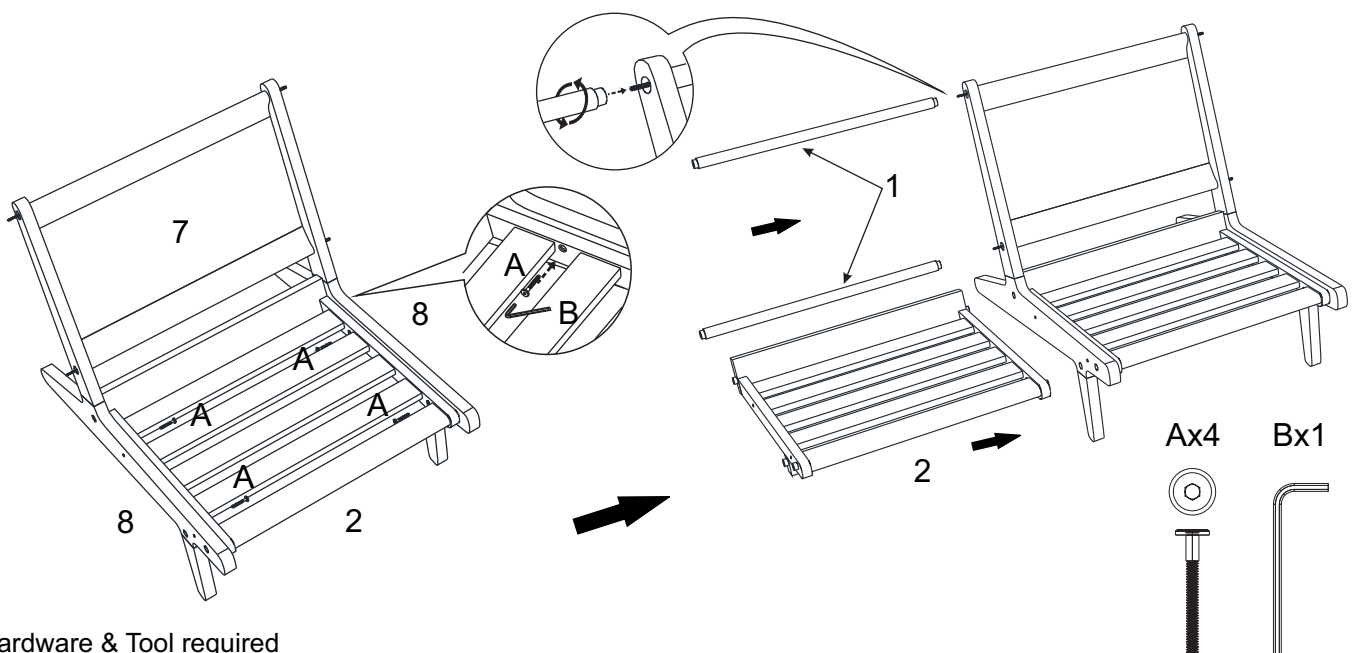
## STEP 1:

Please assembled middle seater first including the back side.  
 Please put left side top and bottom wooden bar trough pre drilled holes one by one.  
 Insert wooden bar or **Chair Back (1)** and **Chair Seat (2)** on **Middle Frame (8)**.



## STEP 2:

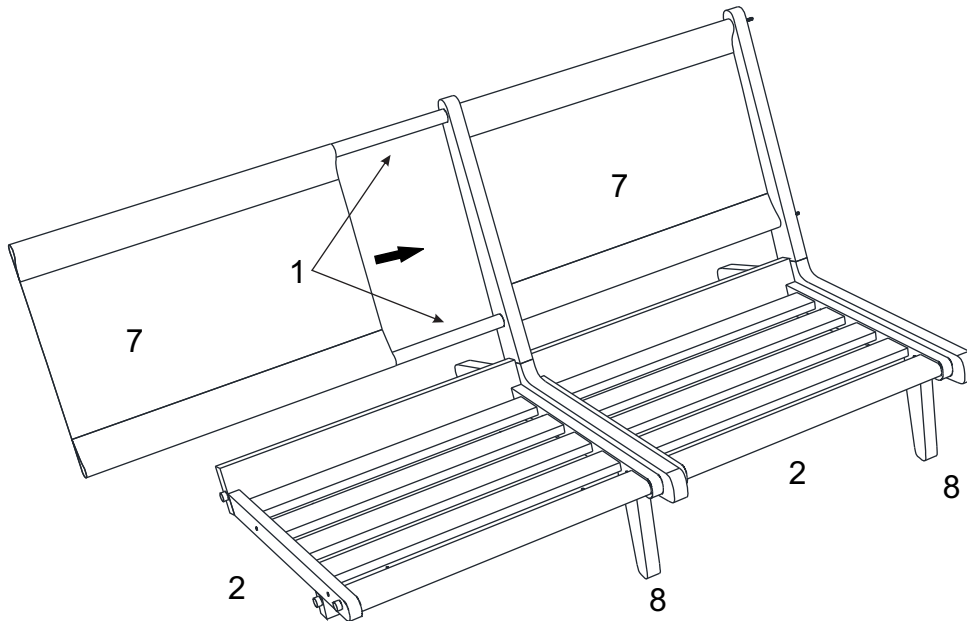
Insert 2 pieces of **Bolt (A)** into the pre-drilled holes on **Chair seat (2)** through the top pre-drilled holes on **Middle Frame (8)**.  
 Use **Allen Wrench (B)** to tighten **Bolts (A)** clockwise until secure.  
 Repeat the same steps for right section.  
 Insert the tenon on **Chair Back (1)** and **Chair Seat (2)** into the rabbet on **Middle Seater**.



Hardware & Tool required

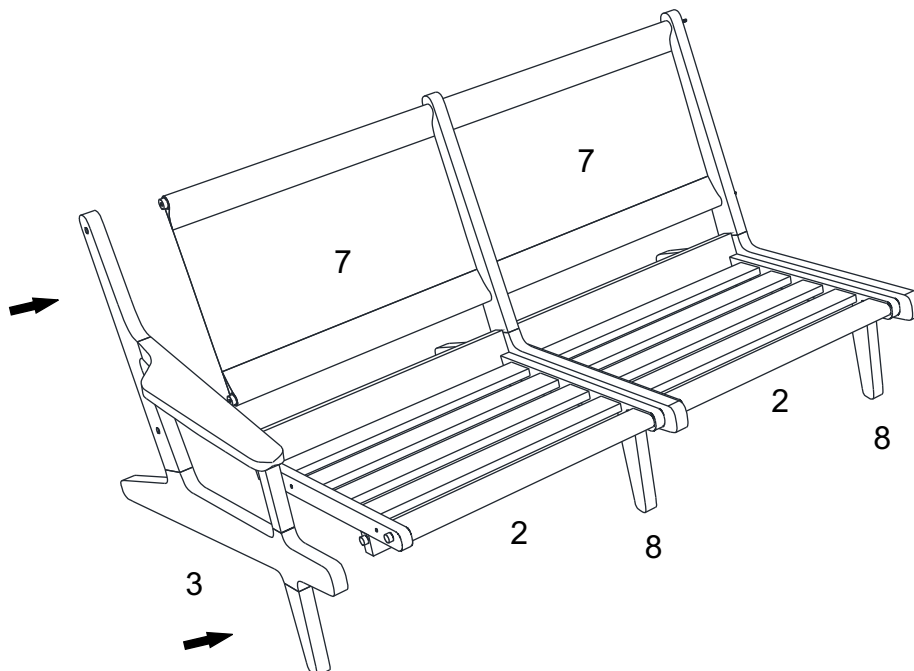
## STEP 3:

Insert **Batyline fabric (7)** on wooden bar.



## STEP 4:

Carefully position **Left Frame (3)** to the assembled **Chair Back (1)** and **Chair Seat (2)** as shown. Insert the tenon on **Chair Back (1)** and **Chair Seat (2)** into the rabbet on **Left Frame (3)**.

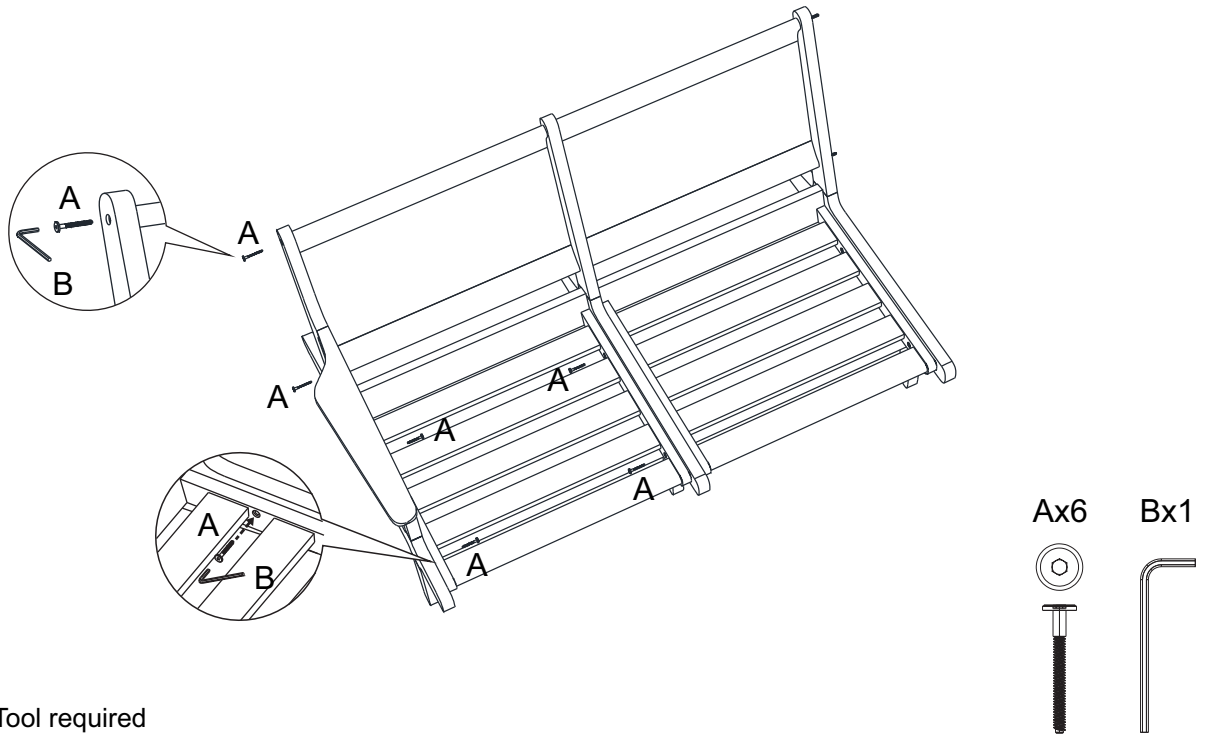


## STEP 5:

Insert 2 pieces of **Bolt (A)** into the pre-drilled holes on **Chair Back (1)** through the top pre-drilled holes on **Left Frame (3)**.

Insert 2 piece of **Bolt (A)** into the pre-drilled holes on **Chair Seat (2)** through the top pre-drilled holes on **Left Frame (3)**.

Use **Allen Wrench (B)** to tighten **Bolts (A)** clockwise until secure.



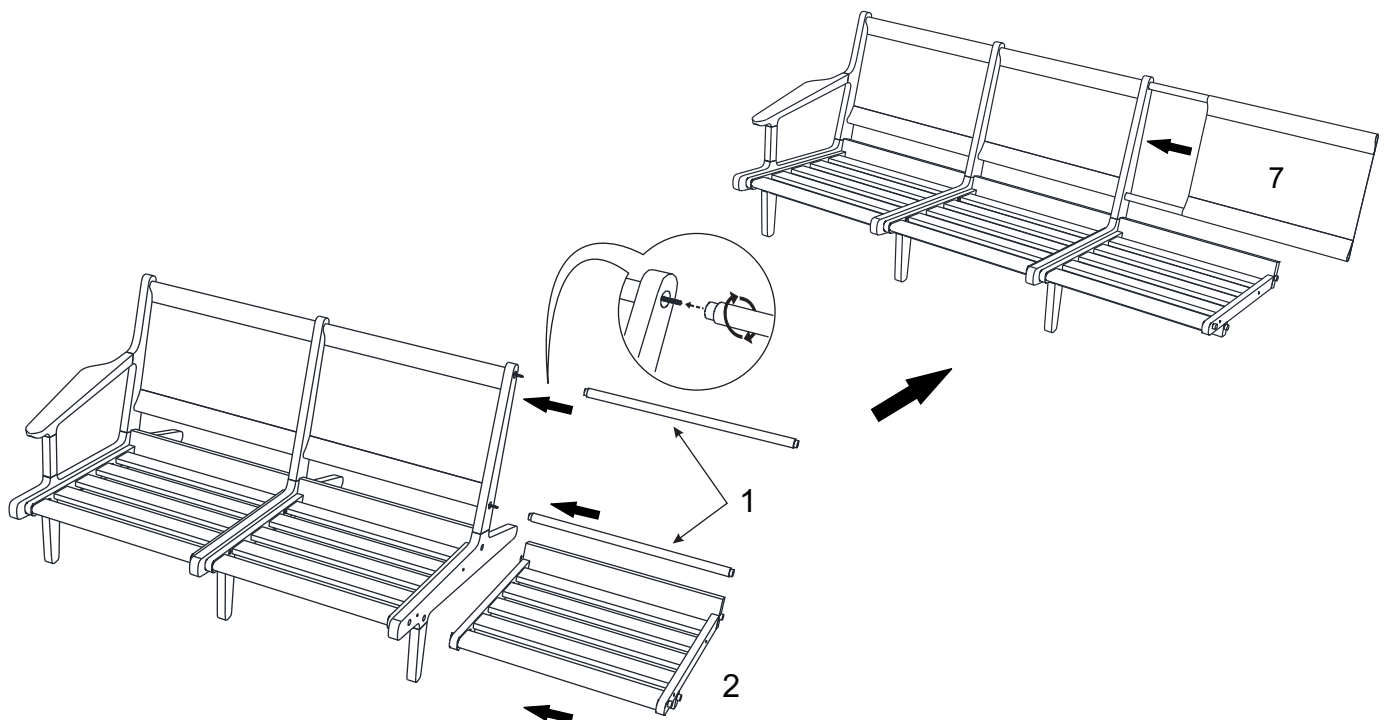
Hardware & Tool required

## STEP 6:

Insert the tenon on **Chair Back (1)** and **Chair Seat (2)** into the rabbet on Middle Seater as shown.

Insert **Batyline fabric (7)** on wooden bar. Carefully position **Right Frame (4)** to the assembled **Chair Back (1)** and **Chair Seat (2)** as shown.

Insert the tenon on **Chair Back (1)** and **Chair Seat (2)** into the rabbet on **Right Frame (4)**.



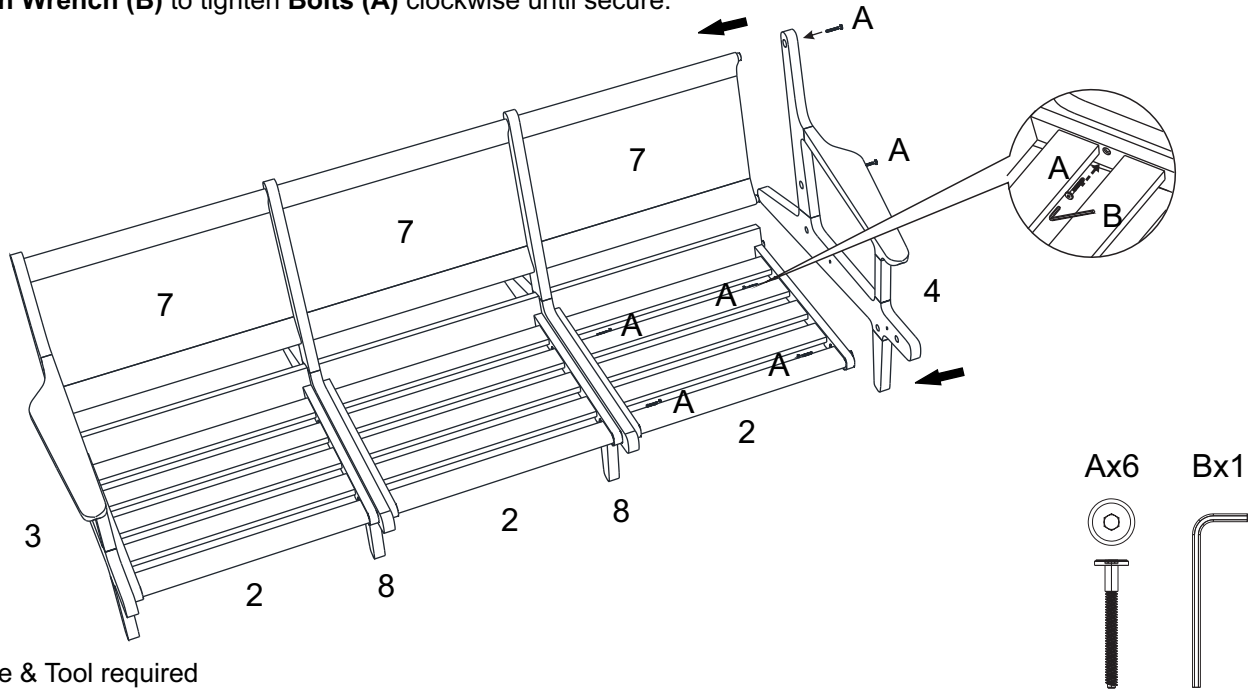
## STEP 7:

Carefully position **Right Frame (4)** to the assembled **Chair Back (1)** and **Chair Seat (2)** as shown. Insert the tenon on **Chair Back (1)** and **Chair Seat (2)** into the rabbet on **Right Frame (4)**.

Insert 2 pieces of **Bolt (A)** into the pre-drilled holes on **Chair Back (1)** through the top pre-drilled holes on **Right Frame (4)**.

Insert 2 piece of Bolt (A) into the pre-drilled holes on **Chair Seat (2)** through the top pre-drilled holes on **Right Frame (4)**.

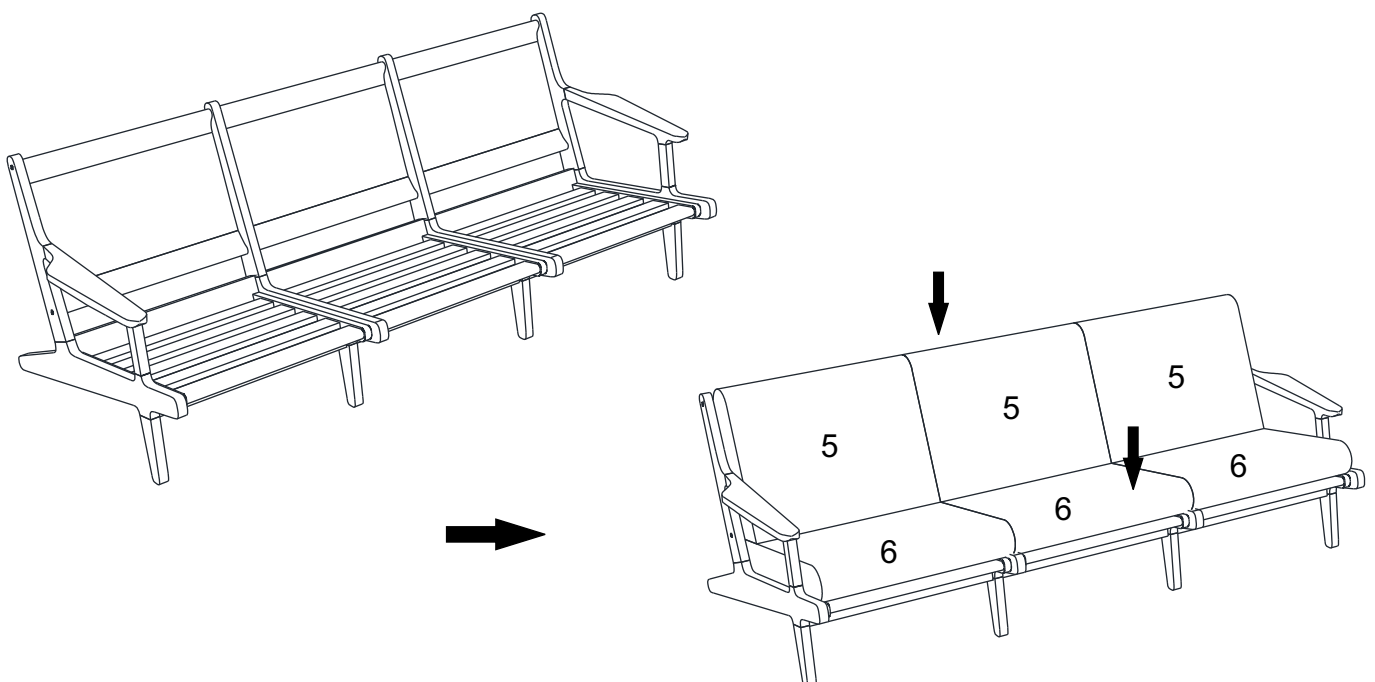
Use **Allen Wrench (B)** to tighten **Bolts (A)** clockwise until secure.



Hardware & Tool required

## STEP 8:

Carefully position the assembled chair to the desired location. **Put Back Cushion (5)** and **Seat Cushion (6)** into the assembled chair as shown.



Assembly is complete. Your three seater is ready to be used now!