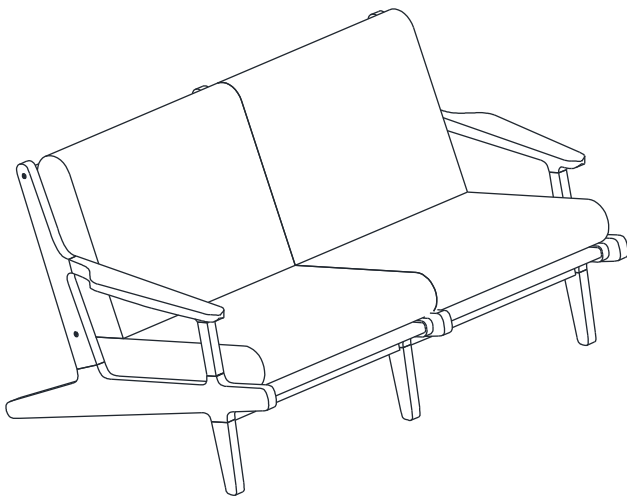




Thank you for purchasing the **MODWAY LOVESEAT!**

Before you start, here are some helpful advice:

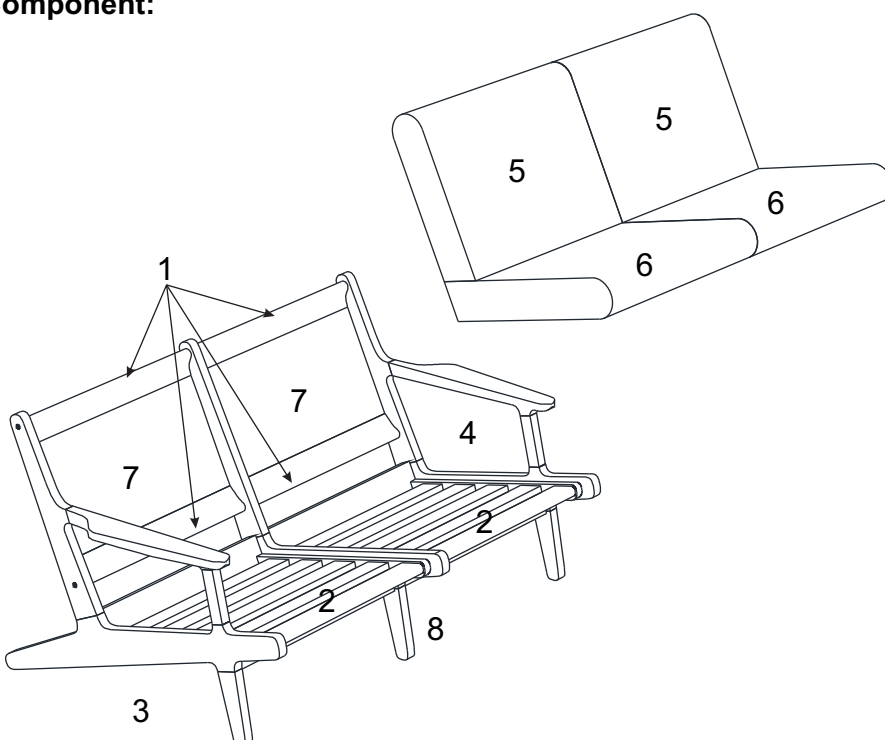
1. We suggest you spend a short time reading through this leaflet and then follow the simple step by step instructions.
2. Owing to the size and weight of the loveseat, we recommend that it is assembled by two adults, on a carpeted or padded area, in the room that it is intended for. Approximate assembly time: 30 minutes.
3. Please do not use any tools other than those provided or recommended in these instructions.
4. Please do not throw away any of the packaging or instructions until you have checked all the components and hardware and the furniture is fully assembled.
5. Assemble all components loosely until advised to tighten. Depending on use, it may be necessary to tighten the components from time to time, so please save the tools that have been provided.
6. Please keep all pieces out of reach of small children.



Hardware:

A		Bolt M8x40mm	x 12
B		Allen Wrench M5	x 1

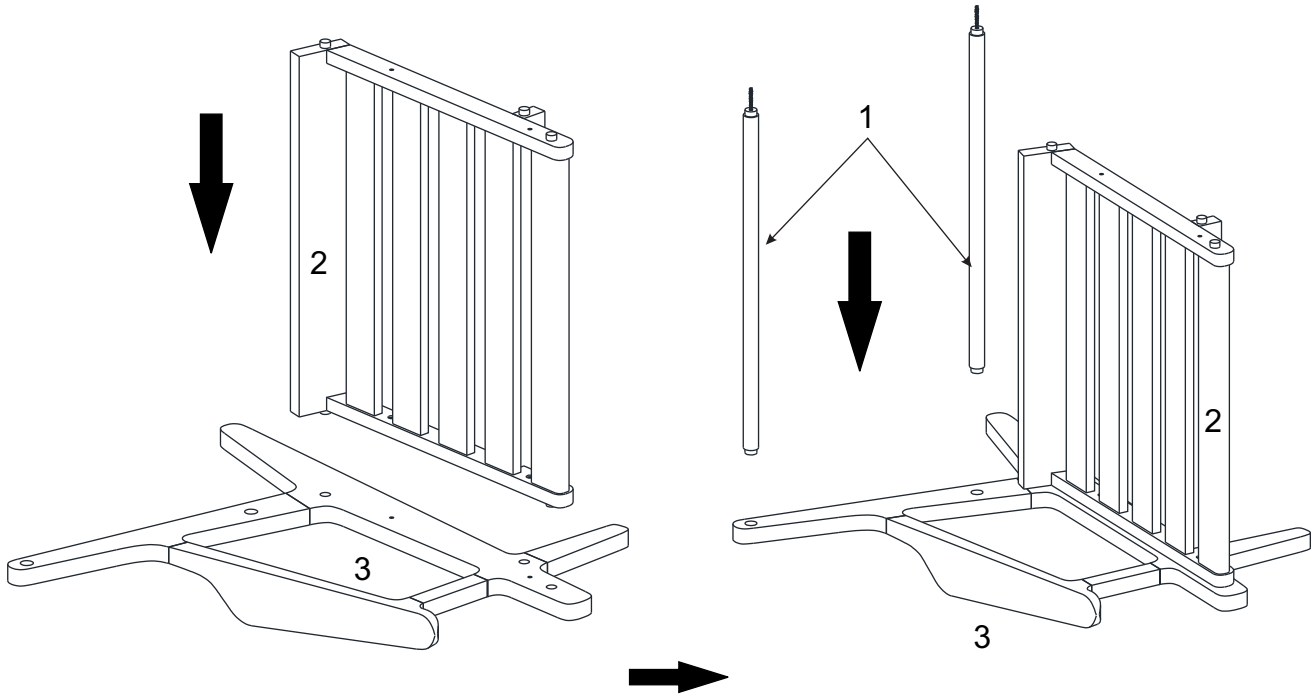
Component:



1. Chair Back	x4
2. Chair Seat	x2
3. Left Frame	x1
4. Right Frame	x1
5. Back Cushion	x2
6. Seat Cushion	x2
7. Batyline	x2
8. Middle Frame	x1

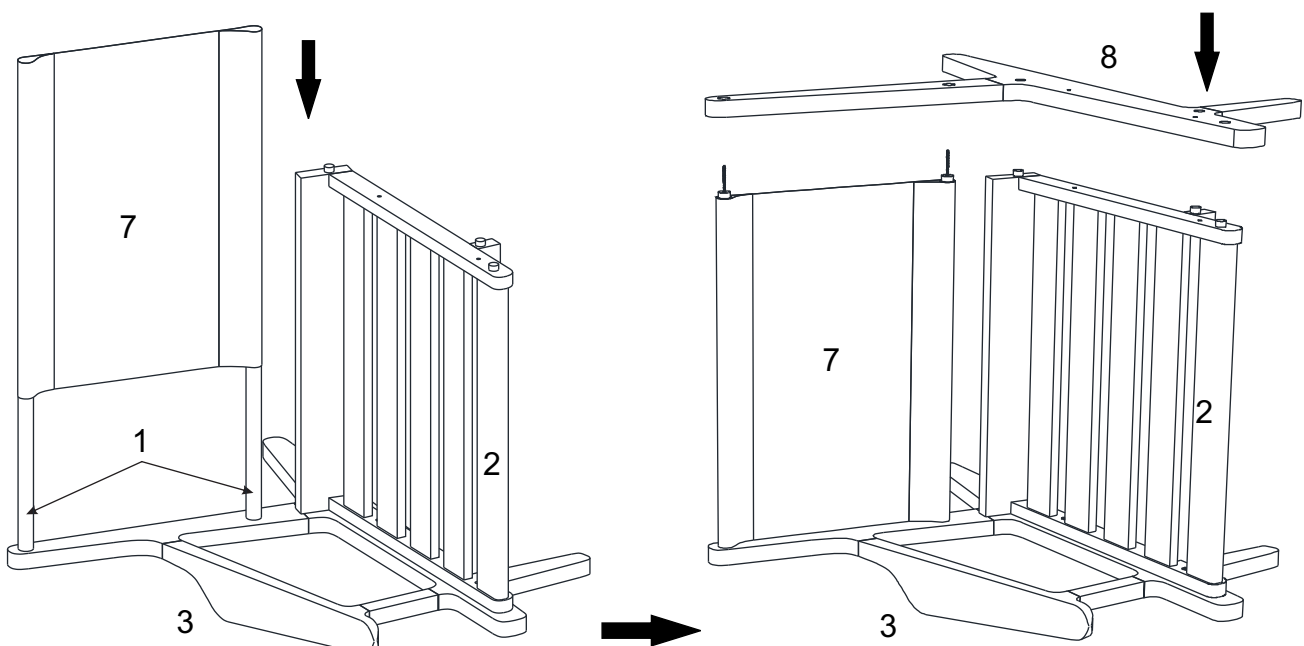
STEP 1:

Please put **Left Frame (3)** on a carpeted or padded area.
 Insert the tenon on **Chair Seat (2)** into the rabbet on **Left Frame (3)** at first.
 Insert Wooden Bar or **Chair Back (1)** one by one through the drilling hole.



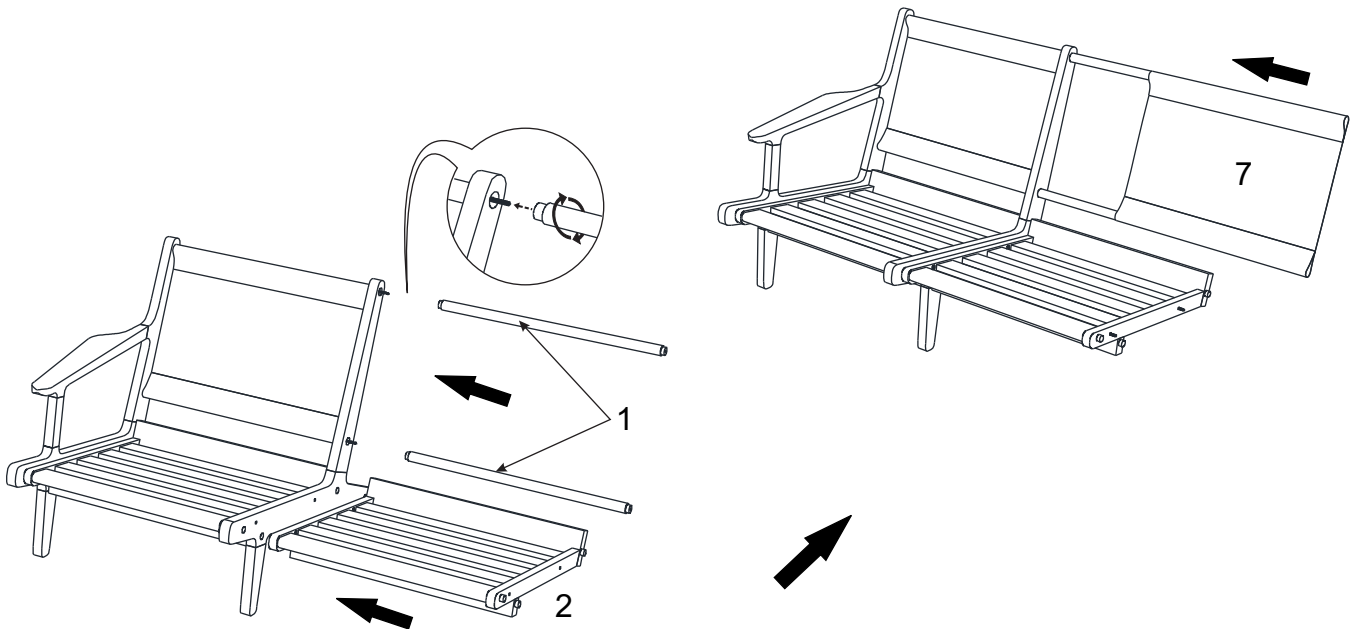
STEP 2:

Please insert **Batyline fabric (7)**.
 Carefully position **Middle Frame (8)** to the assembled **Chair Back (1)**, **Chair Seat (2)** and **Left Frame (3)** as shown.
 Insert the tenon on **Chair Back (1)** and **Chair Seat (2)** into the rabbet on **Middle Frame (8)**.



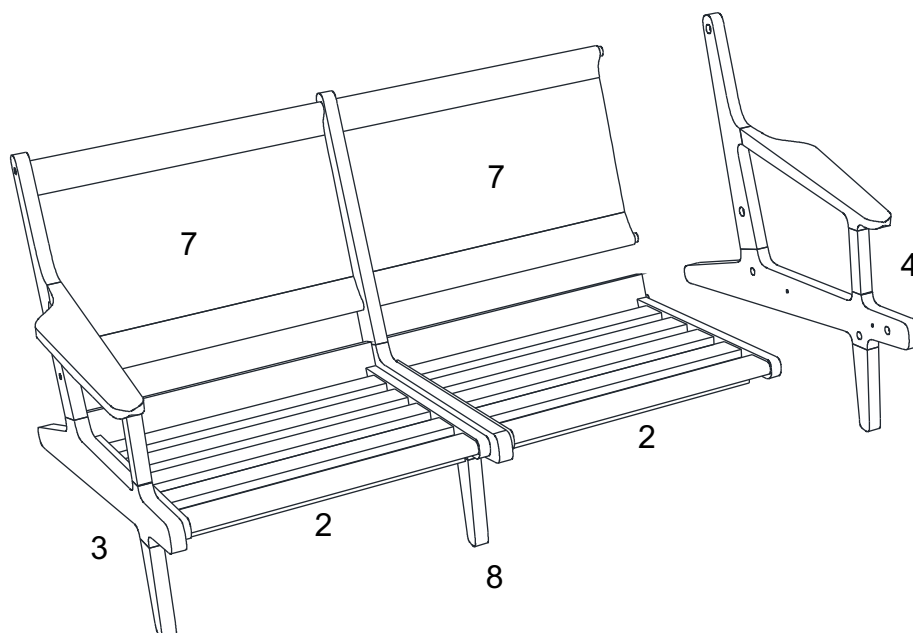
STEP 3:

Carefully turn over the assembled **Chair Back (1)**, **Chair Seat (2)**, **Left Frame (3)** and **Middle Frame (4)**.
Insert the tenon on **Chair Seat (2)** into the rabbet on **Middle Frame (8)**.
Next insert **Wooden Bar or Chair Back (1)** one by one through the drilling hole.
Insert **Batyline fabric (7)**.



STEP 4:

Carefully position **Right Frame (4)** to the assembled **Chair Back (1)** and **Chair Seat (2)** as shown.
Insert the tenon on **Chair Back (1)** and **Chair Seat (2)** into the rabbet on **Right Frame (4)**.



STEP 5:

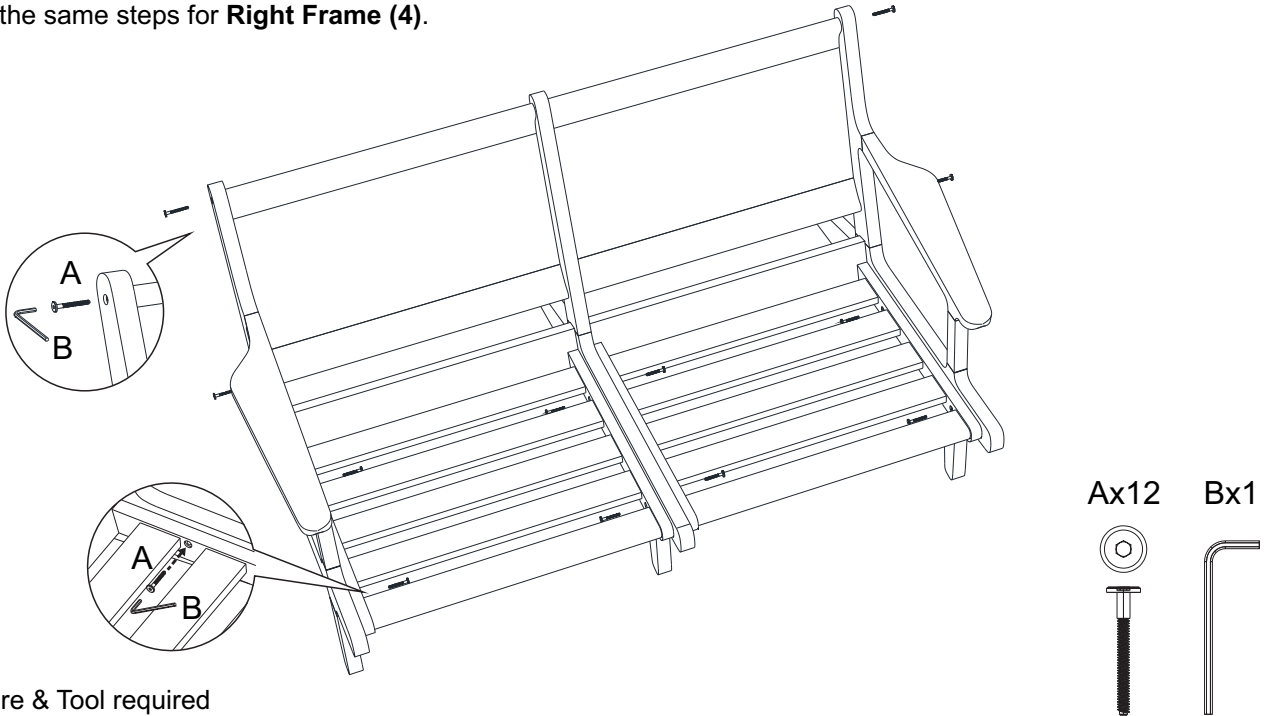
Insert 2 pieces of **Bolt (A)** into the pre-drilled holes on **Chair Back (1)** through the top pre-drilled holes on **Left Frame (3)**.

Insert 2 piece of **Bolt (A)** into the pre-drilled holes on **Chair Seat (2)** through the top pre-drilled holes on **Left Frame (3)**.

Insert 2 piece of **Bolt (A)** into the pre-drilled holes on **Chair Seat (2)** through the top pre-drilled holes on **Middle Frame (8)**.

Use **Allen Wrench (B)** to tighten **Bolts (A)** clockwise until secure.

Repeat the same steps for **Right Frame (4)**.

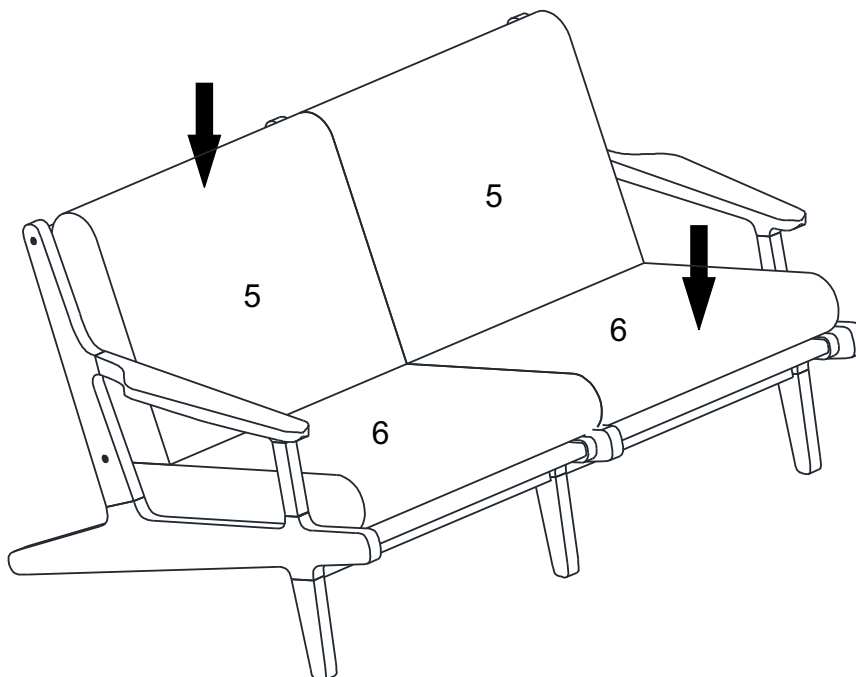


Hardware & Tool required

STEP 6:

Carefully position the assembled chair to the desired location.

Put **Back Cushion (5)** and **Seat Cushion (6)** into the assembled chair as shown.



Assembly is complete. Your loveseat is ready to be used now!