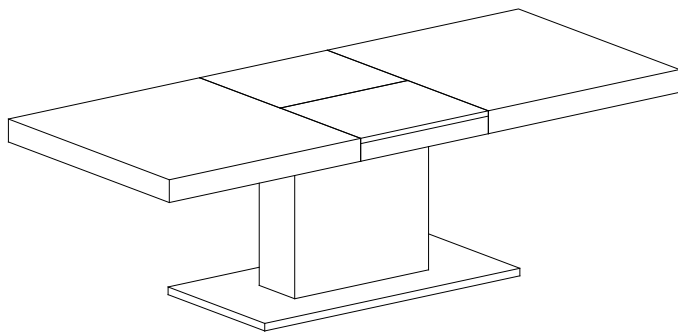




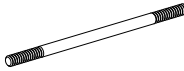
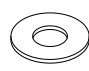
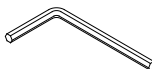
Thank you for purchasing the **MODWAY TABLE!**

Before you start, here is some helpful advice:

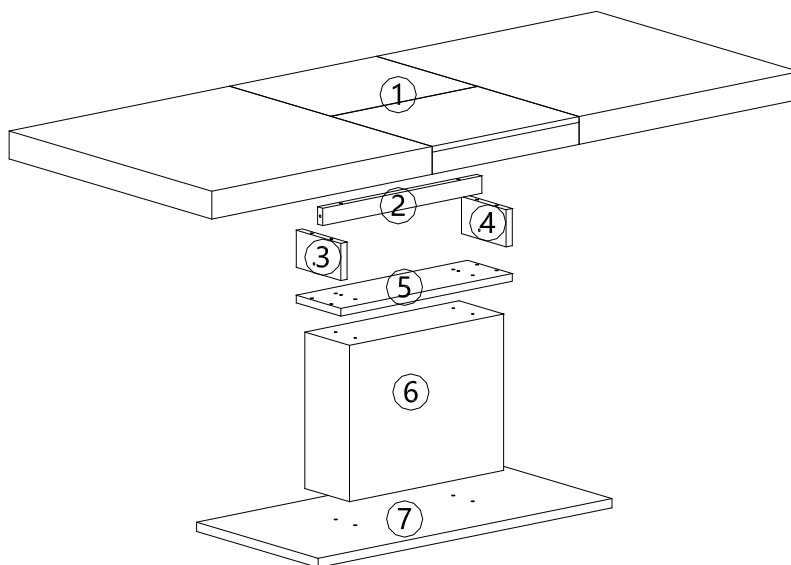
1. We suggest you spend a short time reading through this leaflet and then follow the simple step-by-step instructions.
2. Owing to the size and weight of the table, we recommend that it is assembled by two adults, on a carpeted or padded area, in the room that it is intended for. Approximate assembly time: 45 minutes.
3. Please do not use any tools other than those provided or recommended in these instructions.
4. Please do not throw away any of the packaging or the instruction until you have checked all the components and hardware and the furniture is fully assembled. Please ensure that the packaging is disposed of in a safe and environmentally friendly way.
5. Assemble all components loosely until advised to tighten. Depending on use, it may be necessary to tighten the components from time to time, so please save the tools that have been provided.
6. Please keep all fitting out of reach of children.



Hardware:

- | | | | |
|----|--|--------------------------|------|
| A. |  | Bolt M8x40mm | x 12 |
| B. |  | Nut M8 | x 4 |
| C. |  | Double End Bolt M8x160mm | x4 |
| D. |  | Flat Washer ø8*18mm | x 12 |
| E. |  | Allen Wrench M5 | x1 |

Component:



- | | | | |
|-------------------|---------------|----------------------|-----------------------|
| 1 Table Top x1 | 2 Top Rail x1 | 3 Left Side Panel x1 | 4 Right Side Panel x1 |
| 5 Middle Panel x1 | 6 Base x1 | 7 Bottom Panel x1 | |

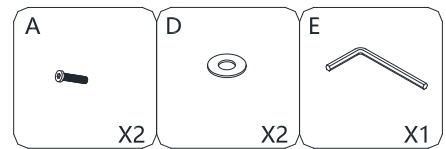
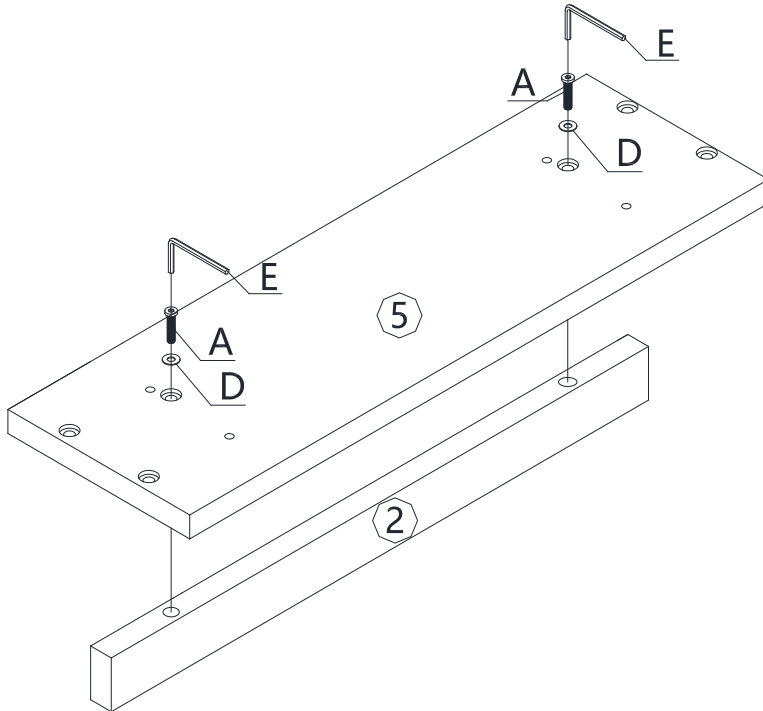
STEP 1:

Put **Middle Panel (5)** on a carpeted or padded surface.

Place **Middle Panel (5)** to **Top Rail (2)** as shown.

Insert 2 pieces of **Bolts (A)** with 2 pieces of **Flat Washers (D)** into the pre-drilled holes on **Middle Panel (5)** through the pre-drilled holes on **Top Rail (2)**.

Use **Allen Wrench (E)** to tighten **Bolts (A)** clockwise until secure.



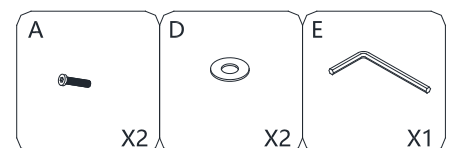
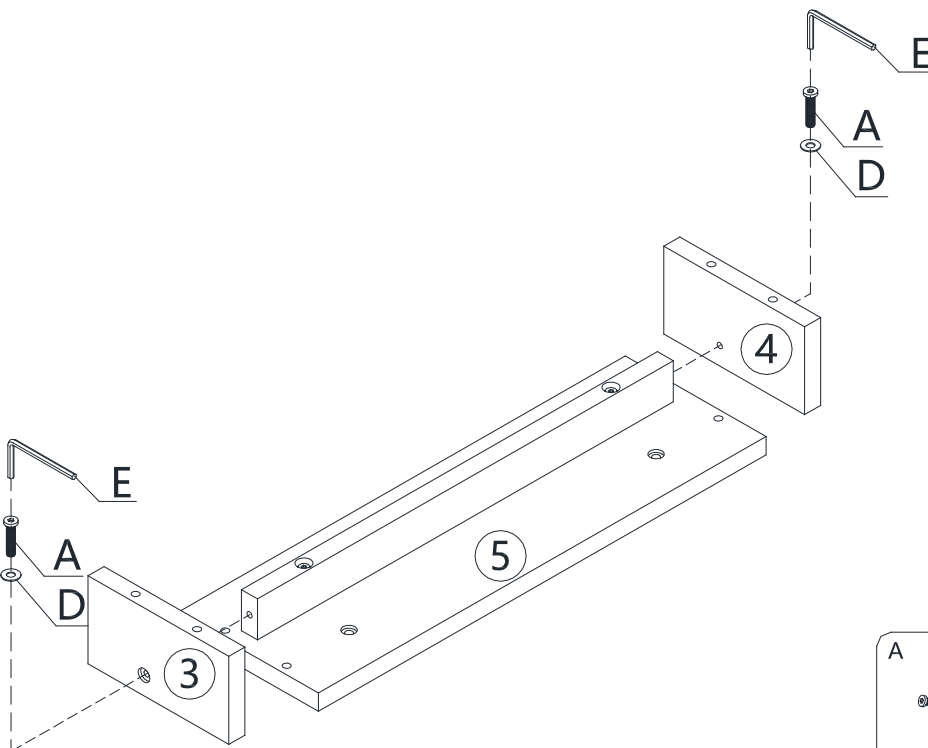
Hardware & Tools required

STEP 2:

Place 2 pieces of two **Side Panels (3)& (4)** to the assembled **Middle Panel (5)** and **Top Rail (2)** as shown.

Insert 2 pieces of **Bolts (A)** with 2 pieces of **Flat Washers (D)** into the pre-drilled holes on **Top Rail (2)** through the pre-drilled holes on **Side Panels (3)& (4)**.

Use **Allen Wrench (E)** to tighten **Bolts (A)** clockwise until secure.



Hardware & Tools required

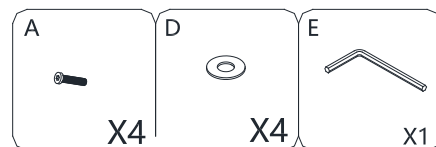
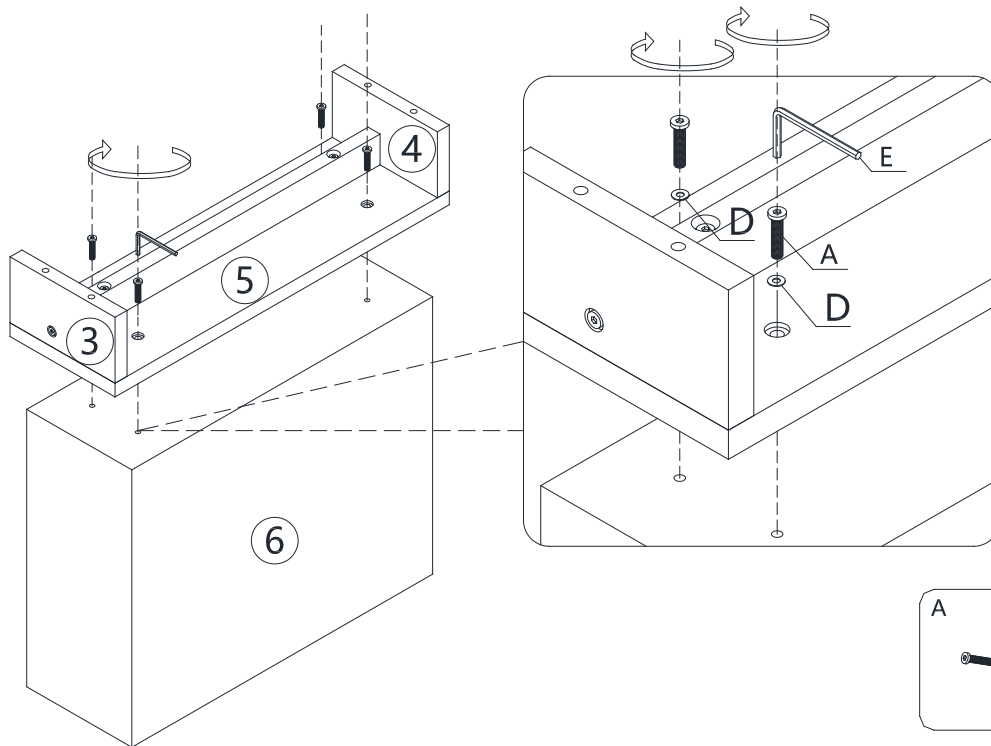
STEP 3:

Put **Base (6)** on a carpeted or padded surface.

Place the assembled **Top Rail (2)**, **Side Panels (3)& (4)**, and **Middle Panel (5)** to **Base (6)** as shown.

Insert 4 pieces of **Bolts (A)** with 4 pieces of **Flat Washers (D)** into the pre-drilled holes on **Top Rail (2)** through the pre-drilled holes on **Side Panels (3)& (4)**.

Use **Allen Wrench (E)** to tighten **Bolts (A)** clockwise until secure.

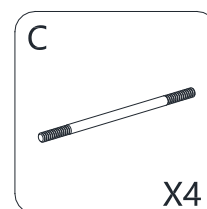
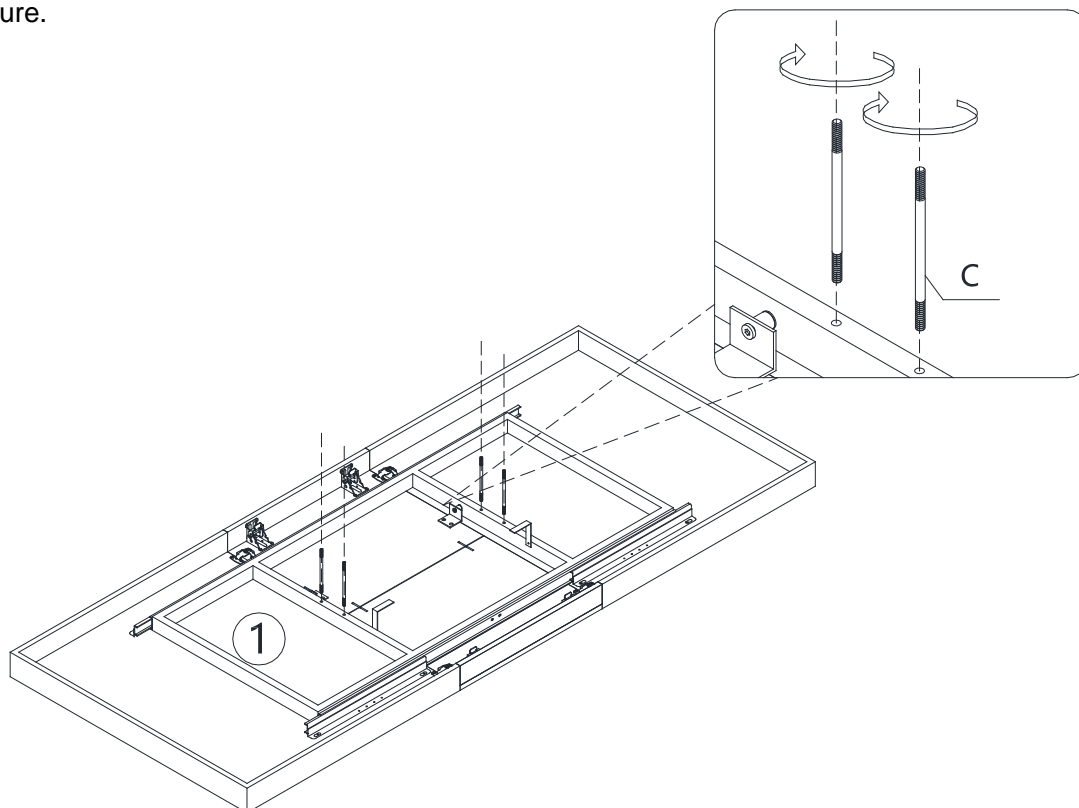


Hardware & Tools required

STEP 4:

Put **Table Top (1)** upside down on a carpeted or padded surface.

Insert 4 pieces of **Double-End Bolts (C)** into the pre-drilled holes on the bottom of **Table Top (1)** to clockwise until secure.



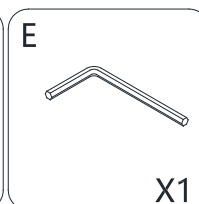
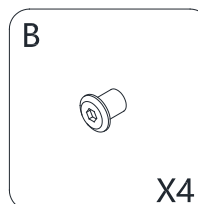
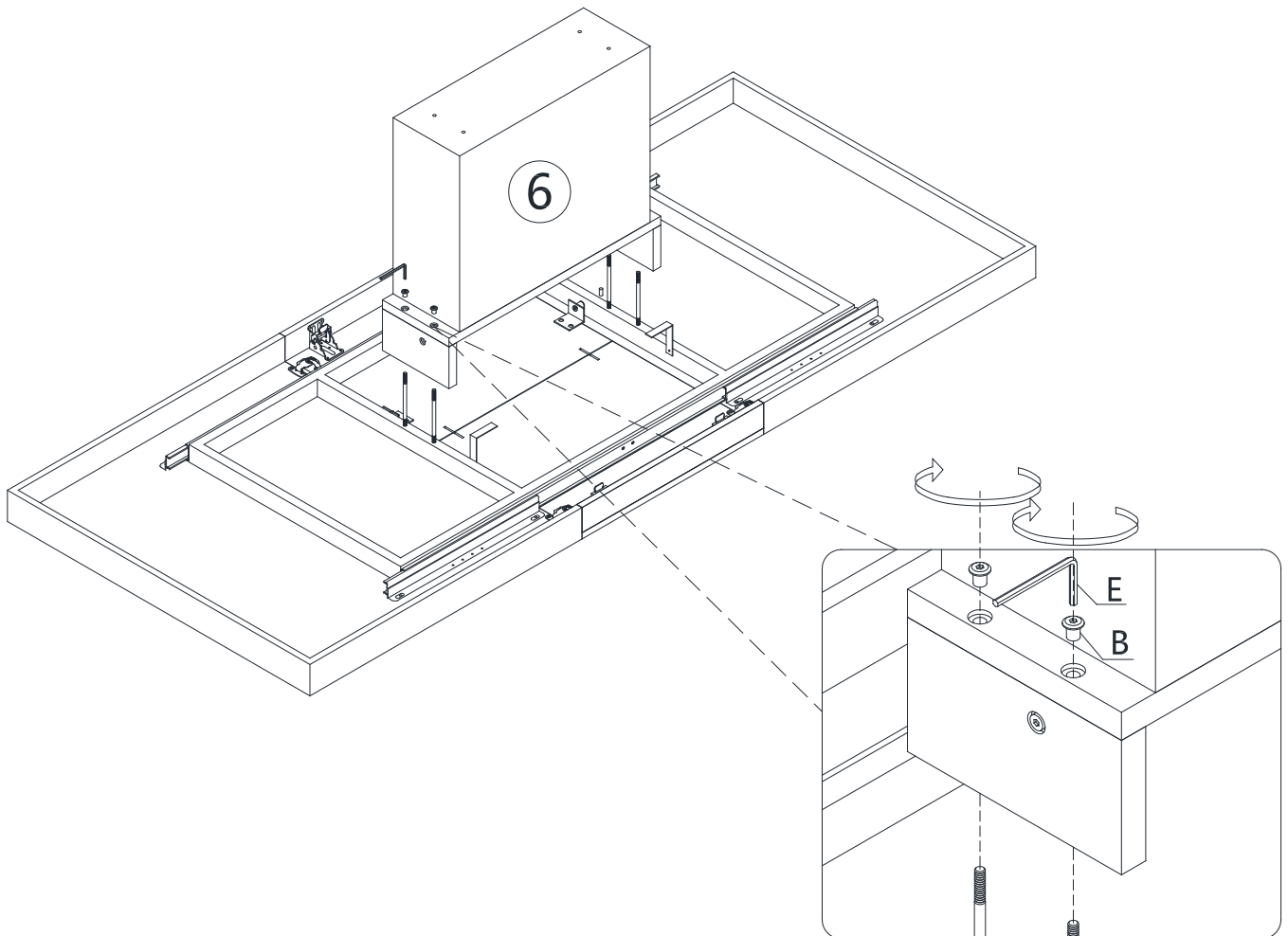
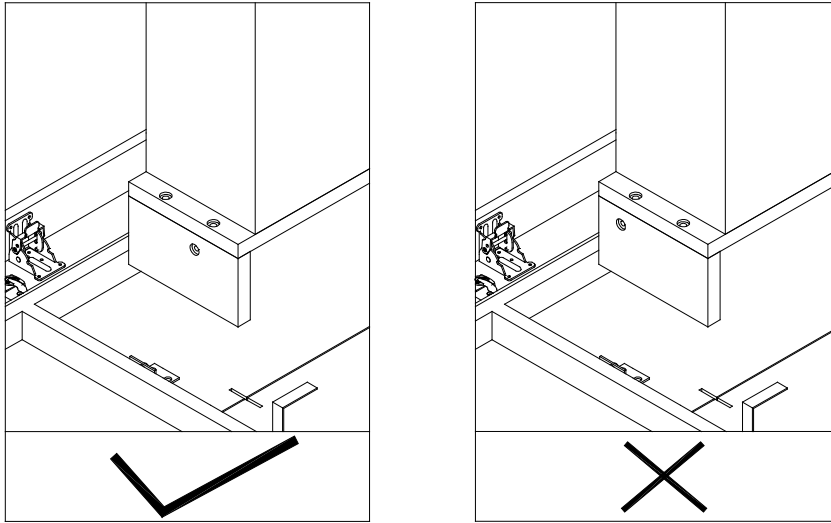
Hardware & Tools required

STEP 5:

Place the assembled **Top Rail (2)**, **Side Panels (3)& (4)**, **Middle Panel (5)**, and **Base (6)** to **Table Top (1)** as shown.

Insert 4 pieces of **Nuts (B)** to the end of assembled **Double-End Bolts (C)**.

Use **Allen Wrench (E)** to tighten **Nuts (B)** clockwise until secure.



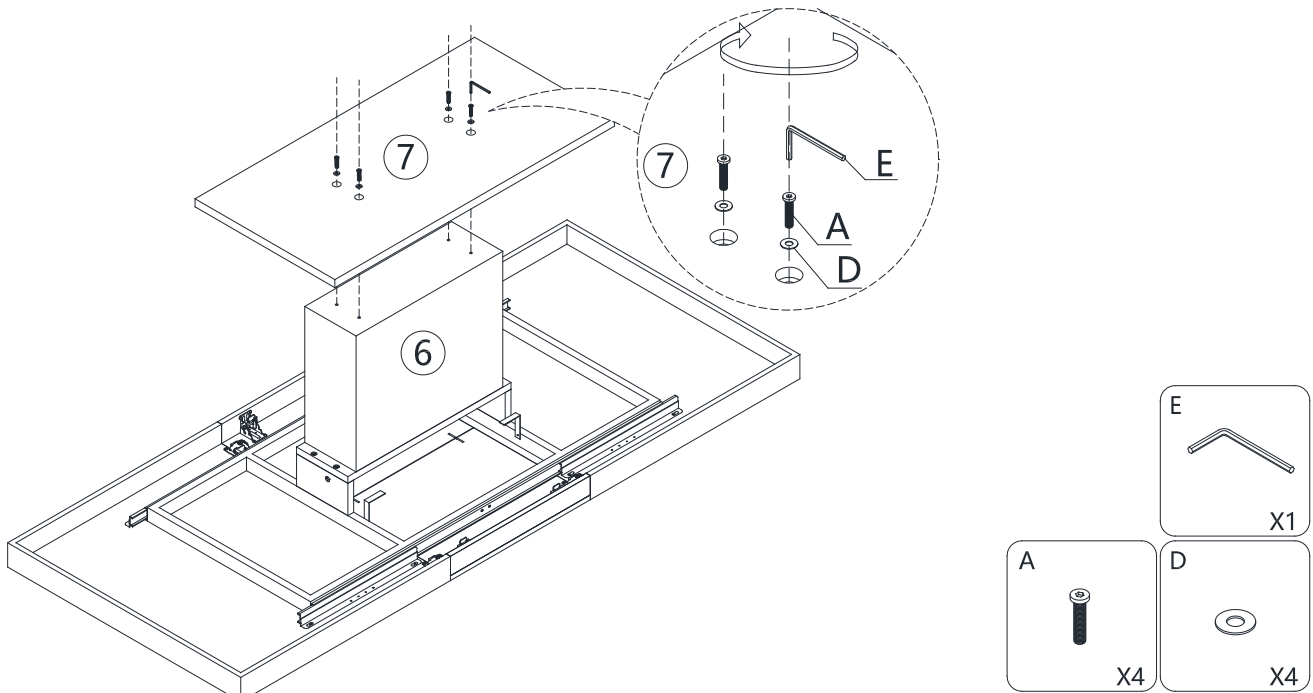
Hardware & Tools required

STEP 6:

Place **Bottom Panel (7)** to the assembled **Table Top (1)**, **Top Rail (2)**, **Side Panels (3)& (4)**, **Middle Panel (5)**, and **Base (6)**.

Insert 4 pieces of **Bolts (A)** with 4 pieces of **Flat Washers (D)** into the pre-drilled holes on **Base (6)** through the pre-drilled holes on **Bottom Panel (7)**.

Use **Allen Wrench (E)** to tighten **Bolts (A)** clockwise until secure.

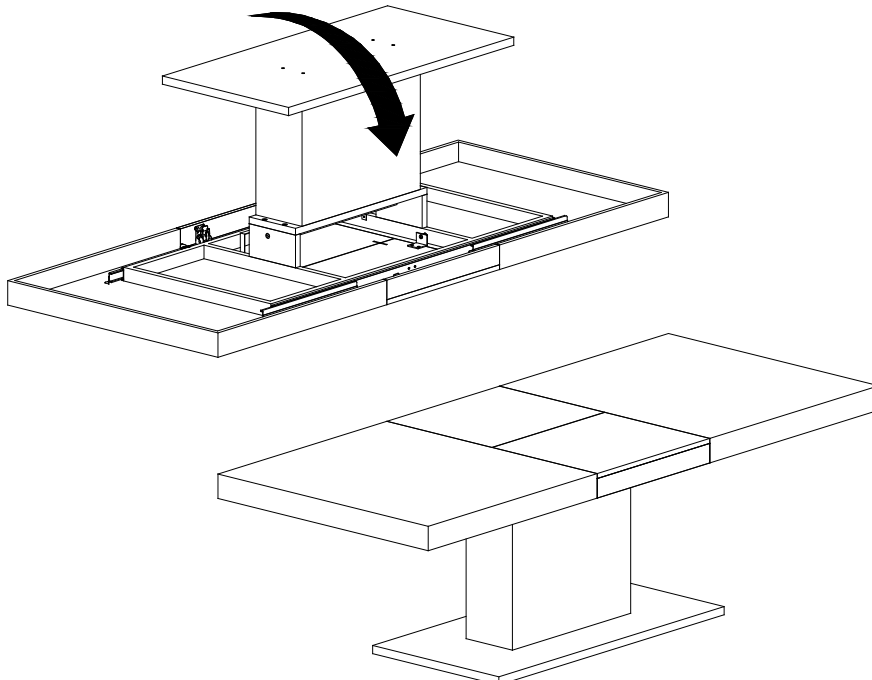


Hardware & Tools required

STEP 7:

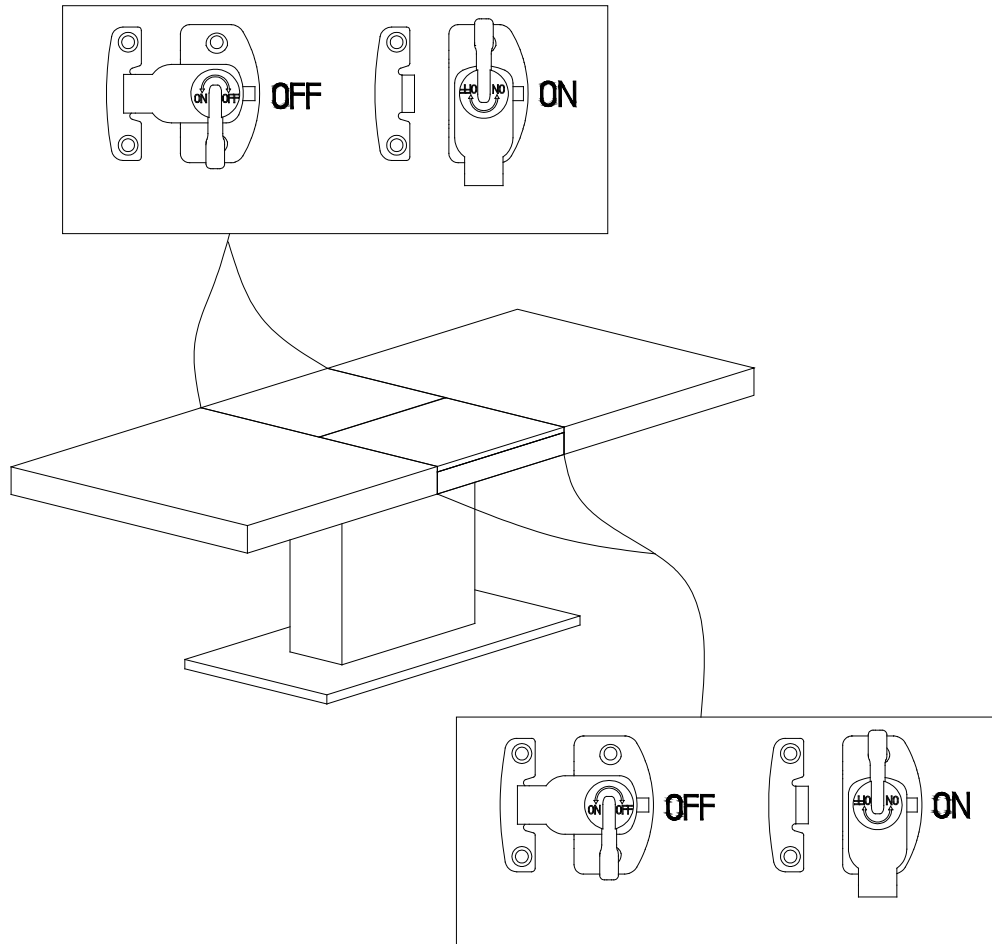
Carefully turn over the assembled dining table.

Assembly is complete. Your table is ready to be used now!



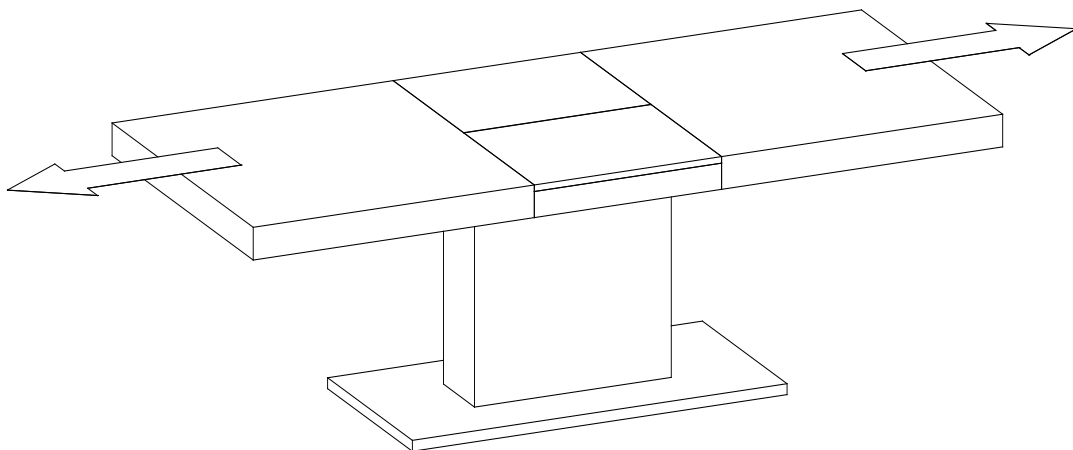
STEP 8:

If you want to shorten the table , please do as follows.
Open the lock on the back of the table as shown.



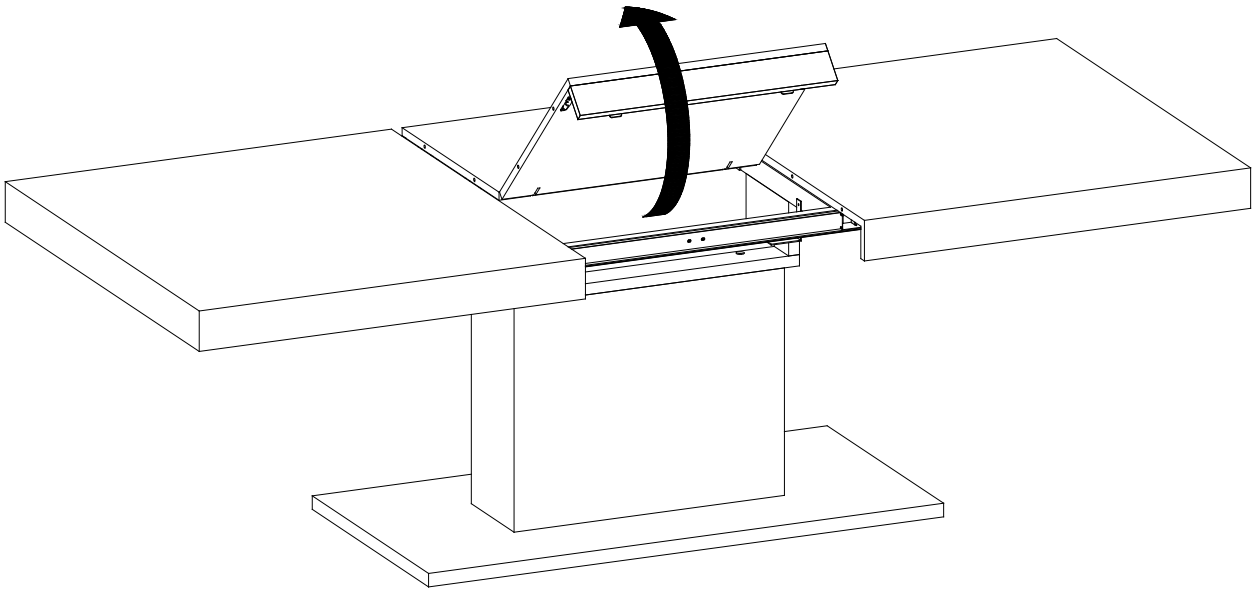
STEP 9:

Slide table top apart follow the arrow as shown.



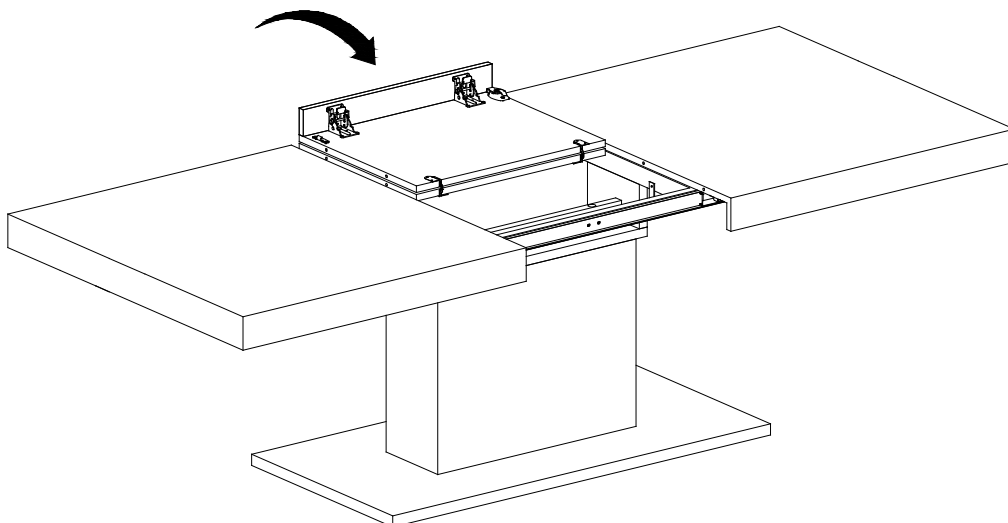
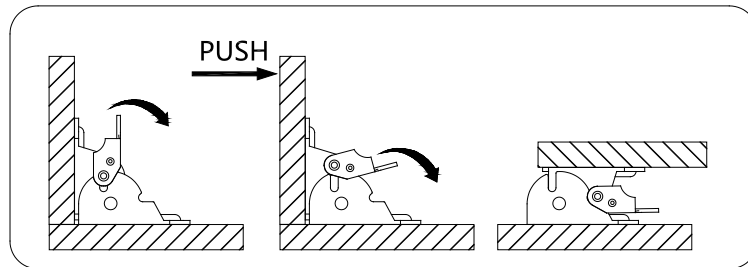
STEP 10:

Lift half of Butterfly Leaf to the other half and fold the apron on butterfly leaf as shown.



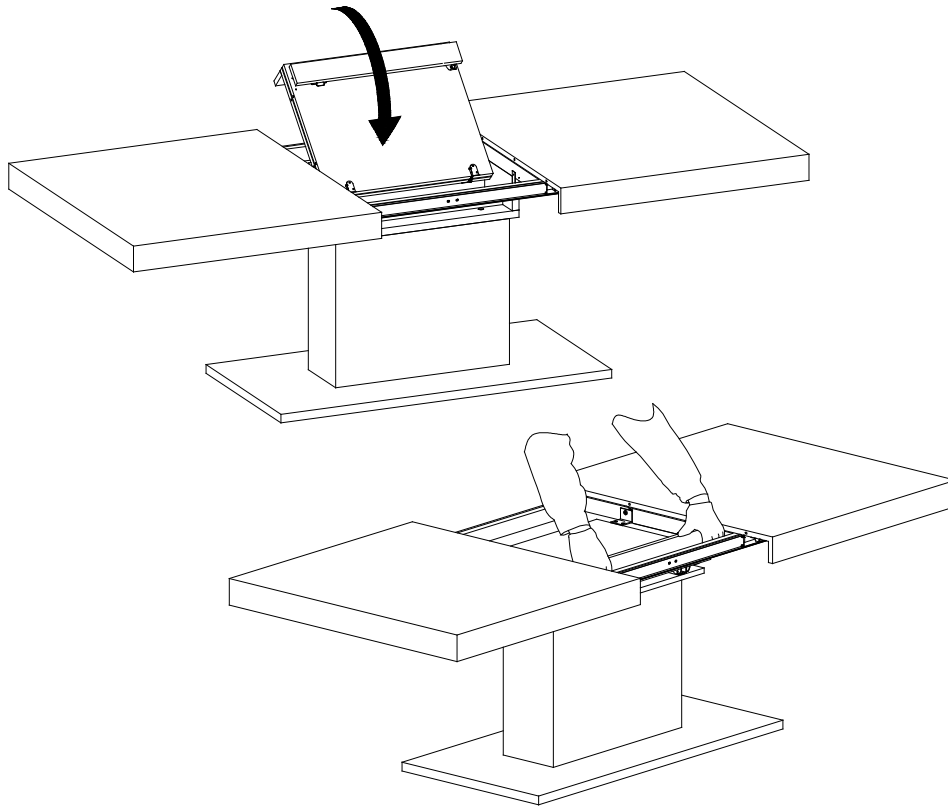
STEP 11:

Fold the apron of butterfly leaf as shown.



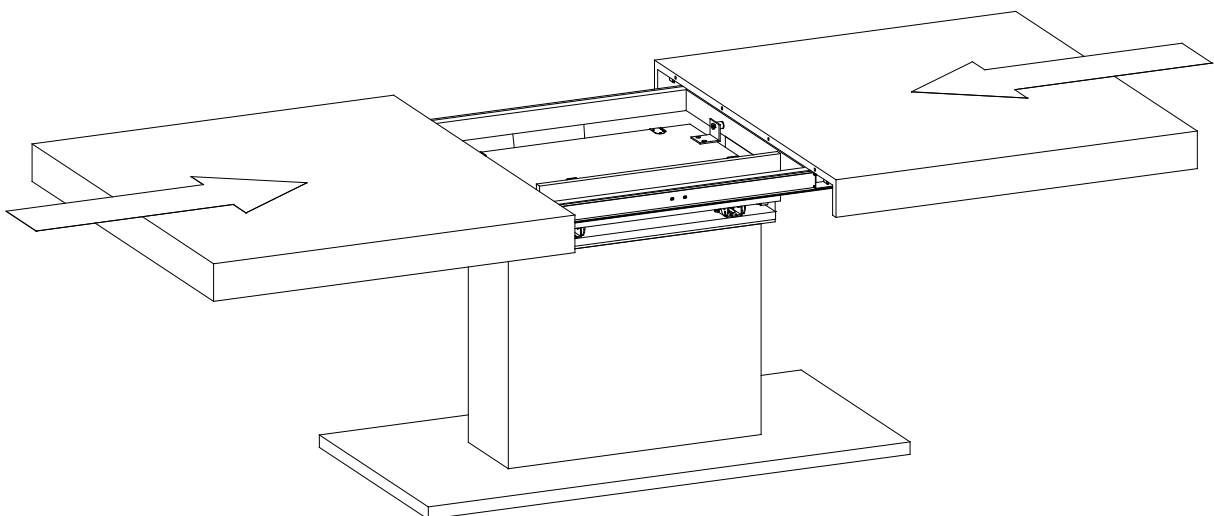
STEP 12:

Repeat the same way to fold the other side as shown.



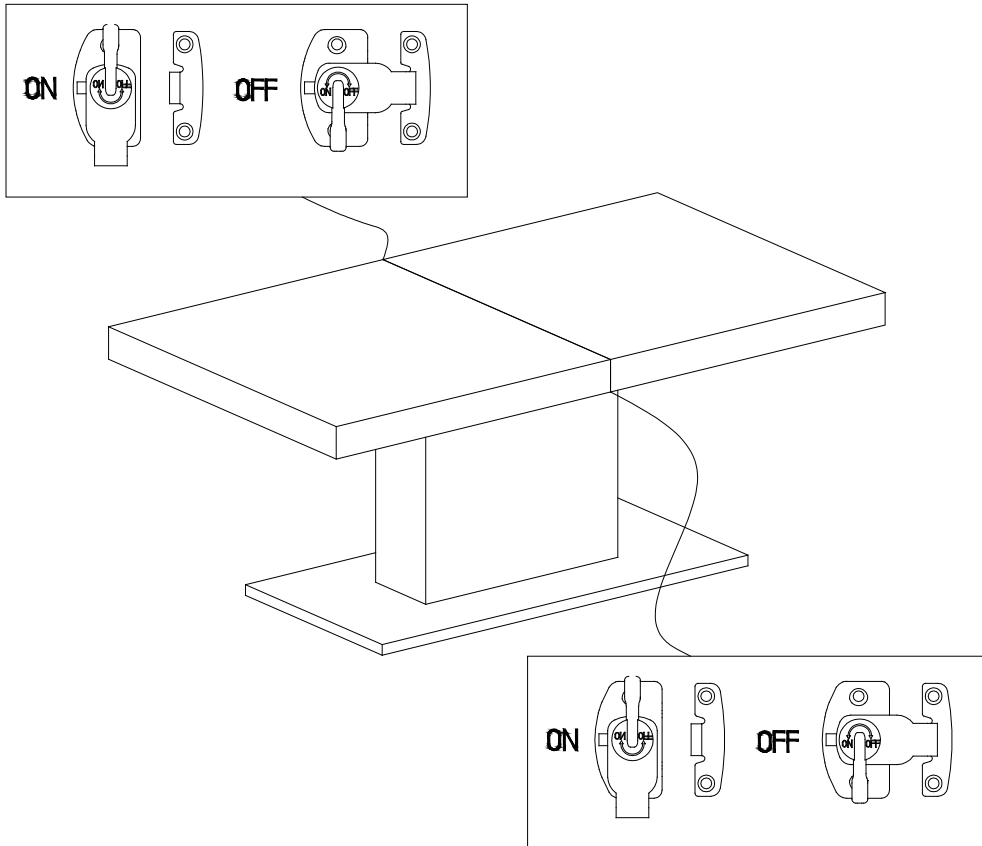
STEP 13:

Slide table top apart follow the arrow as shown.



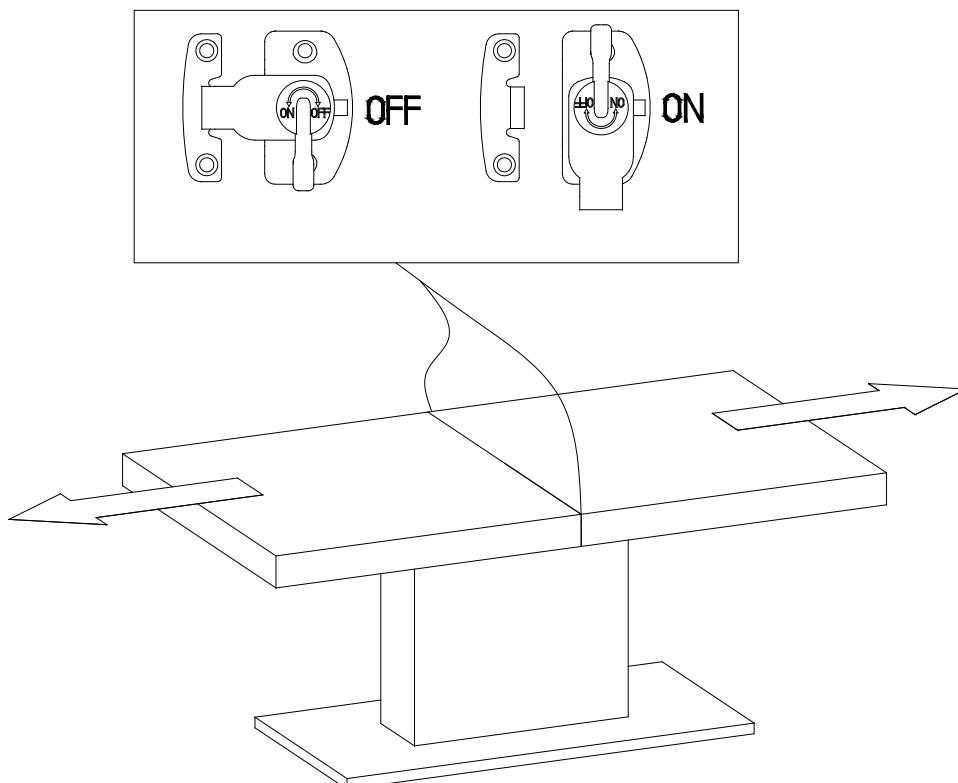
STEP 14:

Close the lock on the back of the table as shown.
Your shorten table is ready to be used now!



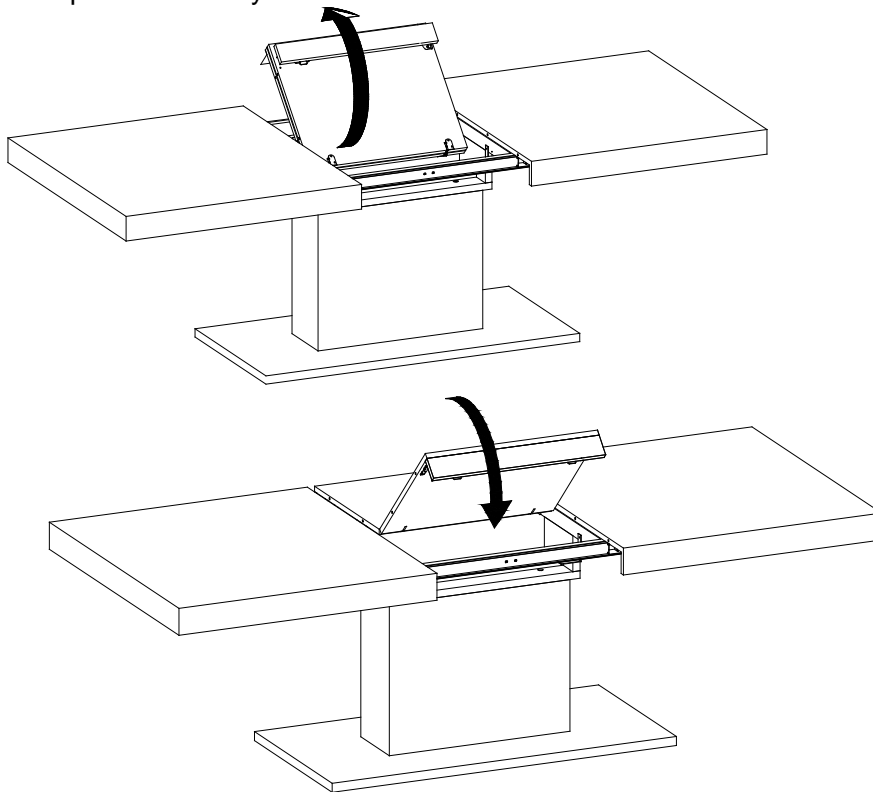
STEP 15:

If you want to elongate the table, please do as follows.
Open the lock on the back of the table and slide table top apart follow the arrow as shown.



STEP 16:

Open butterfly leaf and apron of butterfly leaf as shown.



STEP 17:

Slide table top apart follow the arrow.
Close the lock on the back of the table as shown.
Your extended table is ready to be used now!

