




Thank you for purchasing the MODWAY OFFICE CHAIR!

Before you start, here is some helpful advice:

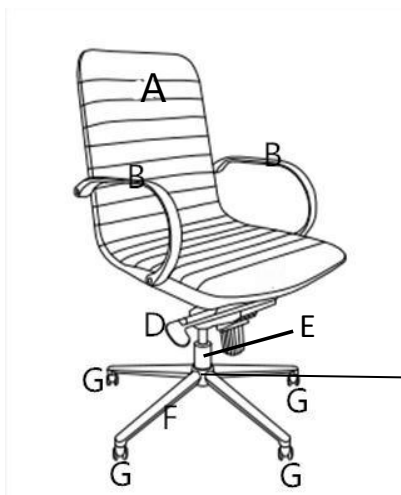
1. We suggest you spend a short time reading through this leaflet and then follow the simple step-by-step instructions.
2. Owing to the size and weight of the office chair, we recommend that it is assembled by two adults, on a carpeted or padded area, in the room that it is intended for. Approximate assembly time: 30 minutes.
3. Please do not use any tools other than those provided or recommended in these instructions.
4. Please do not throw away any of the packaging or instructions until you have checked all the components and hardware and the furniture is fully assembled.
5. Assemble all components loosely until advised to tighten. Depending on use, it may be necessary to tighten the components from time to time, so please save the tools that have been provided.
6. Please keep all pieces out of reach of children.



**Hardware:**

- |   |   |                        |    |
|---|---|------------------------|----|
| 1 |  | Bolt M8*15 MM          | X4 |
| 2 |  | Flat Washer            | X4 |
| 3 |  | Allen Wrench M6<br>6mm | X1 |

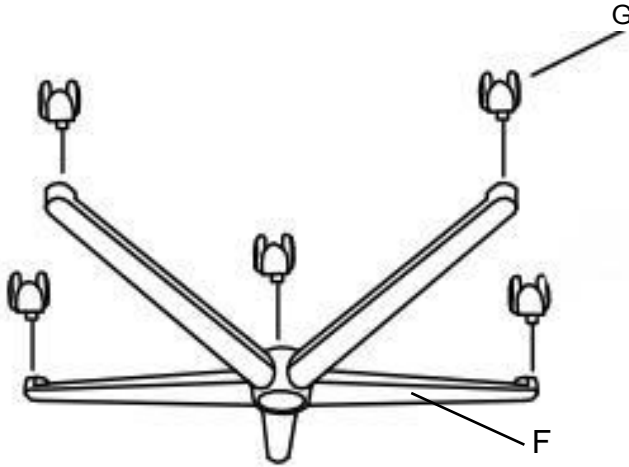
**Component:**



- |                 |                 |                        |                        |
|-----------------|-----------------|------------------------|------------------------|
| A Chair Body x1 | B Armrest x2    | C Decoration Cover x 1 | D Control Mechanism x1 |
| E Cylinder x1   | F Chair Base x1 | G Castor x5            |                        |

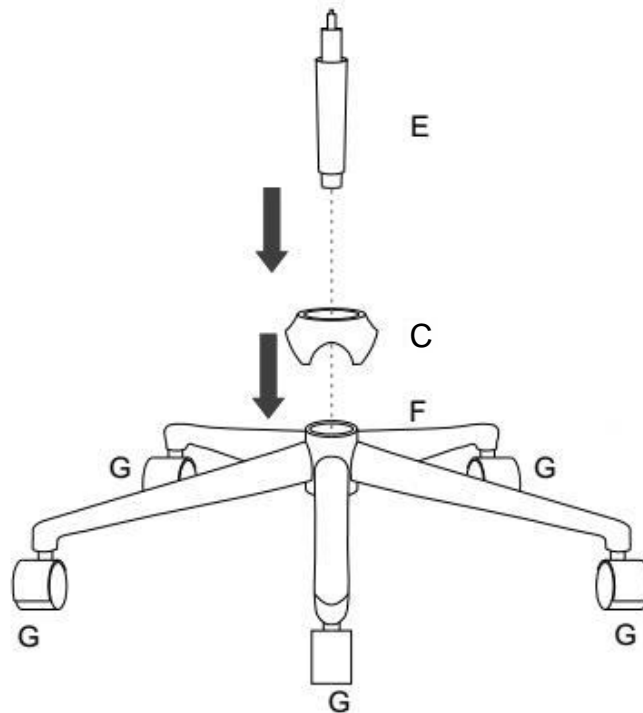
**STEP 1:**

Please put **Chair Base (F)** upside down on a carpeted or padded surface. Insert 1 piece of **Castor (G)** into the **Chair Base (F)** by hand as shown. Repeat the same steps for the remaining 4 pieces of **Castors (G)**.



**STEP 2:**

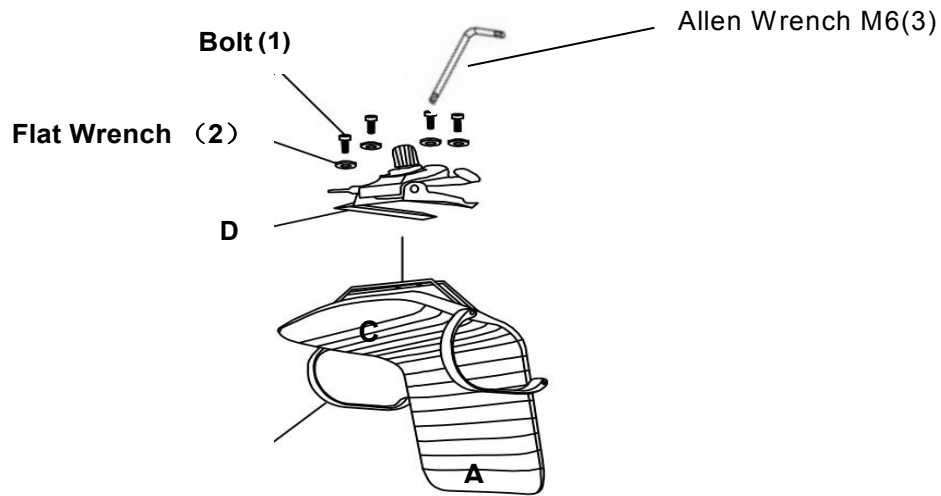
Flip the assembled **Chair Base (F)** with **Castors (G)** on the floor. Insert the **Decoration Cover (C)** into the assembled **Chair Base (F)** as shown. Insert the bottom end of **Cylinder (E)** into the assembled **Chair Base (F)** as shown.






## STEP 3:

Attach **Control Mechanism (D)** to the **Chair Seat (C)** by using 4 pieces of **Bolts (1)** with 4 pieces of **Flat Washers (2)** as shown.

Tighten **Bolts (1)** by using **Allen Wrench M6(3)** as shown.

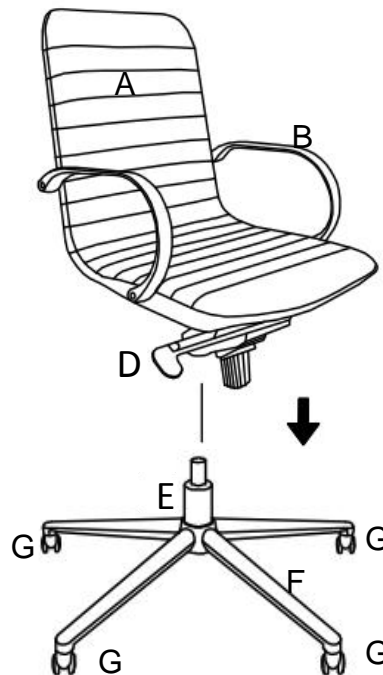


		
1*4pcs	2*4pcs	3*1pc

Hardware&Tool required

## STEP 4:

Please insert the bottom holes of **Control Mechanism (D)** into the top end of **Cylinder (E)** and **Chair Base (F)** as shown.



Assembly is completed .The office chair is ready to enjoy now!