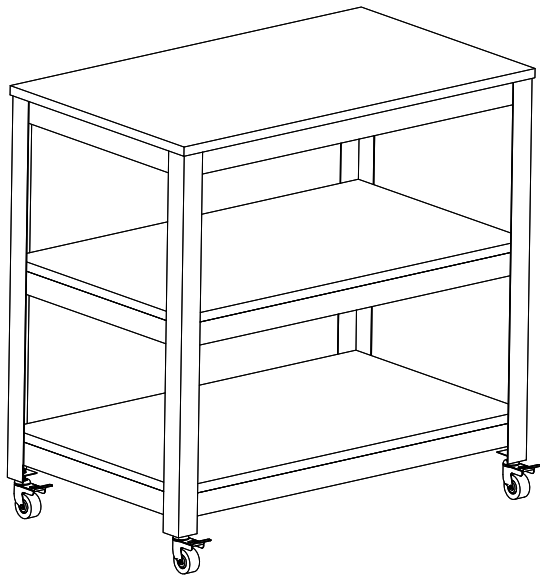





Thank you for purchasing the **MODWAY BOOKCASE!**

Before you start, here is some helpful advice:

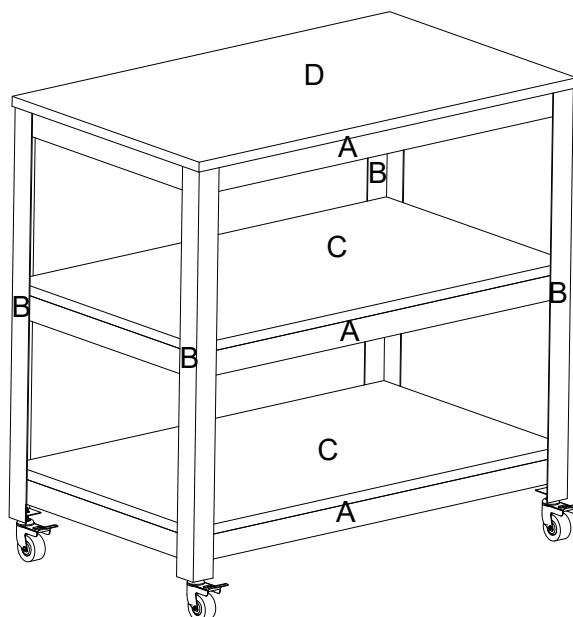
1. We suggest you spend a short time reading through this leaflet and then follow the simple step-by-step instructions.
2. Owing to the size and weight of the bookcase, we recommend that it is assembled by two adults, on a carpeted or padded area, in the room that it is intended for. Approximate assembly time: 30 minutes.
3. Please do not use any tools other than those provided or recommended in these instructions.
4. Please do not throw away any of the packaging or the instruction until you have checked all the components and hardware and the furniture is fully assembled. Please ensure that the packaging is disposed of in a safe and environmentally friendly way.
5. Assemble all components loosely until advised to tighten. Depending on use, it may be necessary to tighten the components from time to time, so please save the tools that have been provided.
6. Please keep all fitting out of reach of children.



Hardware:

1		Bolt M6x12mm	x36
2		Castor	x4
3		Allen Wrench M4	x1

Component:



A Metal Frame	x3	B Leg	x4	C Shelf	x2	D Top Panel	x1
---------------	----	-------	----	---------	----	-------------	----

STEP 1:

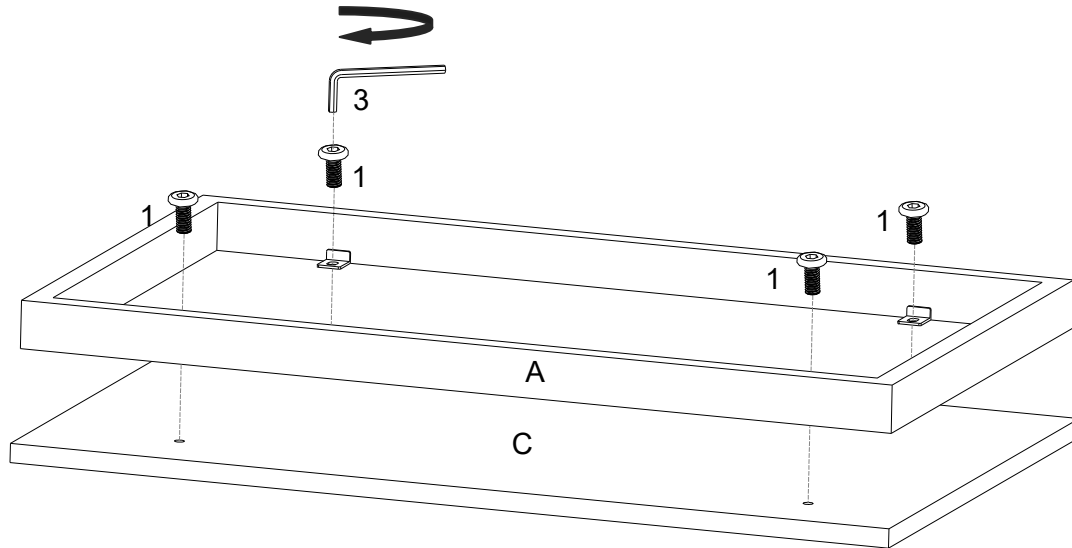
Put 1 piece of **Shelf (C)** upside down on a carpeted or padded surface.

Place 1 piece of **Metal Frame (A)** to **Shelf (C)** as shown.

Insert 4 pieces of **Bolt (1)** into the pre-drilled holes on **Shelf (C)** through the pre-drilled holes on **Metal Frame (A)**.

Use **Allen Wrench (3)** to tighten **Bolts (1)**. Do not fully tighten **Bolts (1)** at this step.

Repeat the same steps for the remaining 1 piece of **Shelf (C)** and 1 piece of **Metal Frame (A)**.



1x8	3x1

Hardware & Tools required

STEP 2:

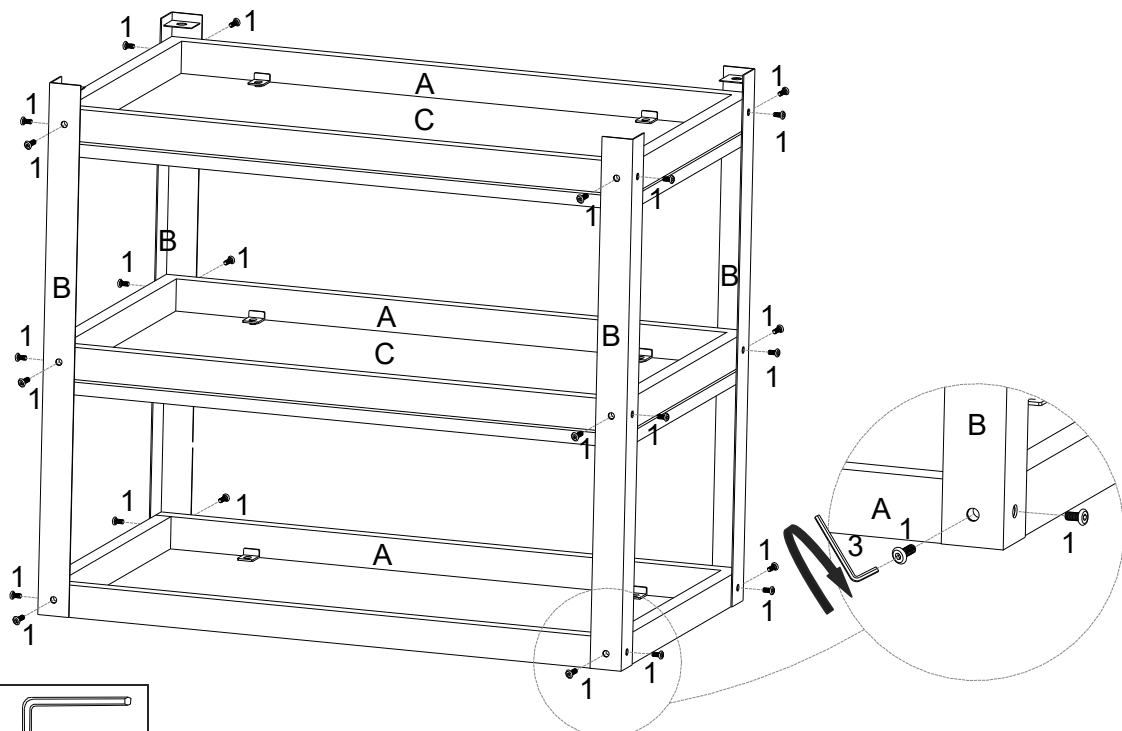
Put 1 piece of **Metal Frame (A)** upside down on a carpeted or padded surface.

Place 4 pieces of **Leg (B)** to **Metal Frame (A)** as shown.

Insert 8 pieces of **Bolt (1)** into the pre-drilled holes on **Metal Frame (A)** through the pre-drilled holes on **Legs (B)**.

Repeat the same steps for the 2 pieces assembled **Metal Frame (A)** and **Shelf (C)**.

Use **Allen Wrench (3)** to tighten all the **Bolts (1)**. Do not fully tighten all the **Bolts (1)** at this step.



1x24	3x1

Hardware & Tools required

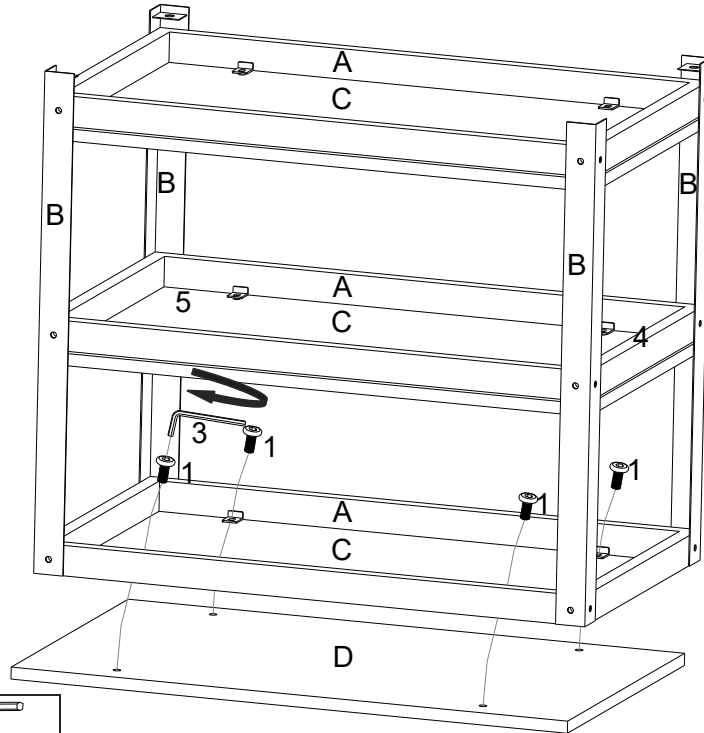
STEP 3:

Put **Top Panel (D)** upside down on a carpeted or padded surface.

Place the assembled **Metal Frame (A)**, **Legs (B)**, and **Shelves (C)** to **Top Panel (D)** as shown.

Insert 4 pieces of **Bolt (1)** into the pre-drilled holes on **Top Panel (D)** through the pre-drilled holes on **Metal Frame (A)**.

Use **Allen Wrench (3)** to tighten all the **Bolts (1)** clockwise until secure at this step.

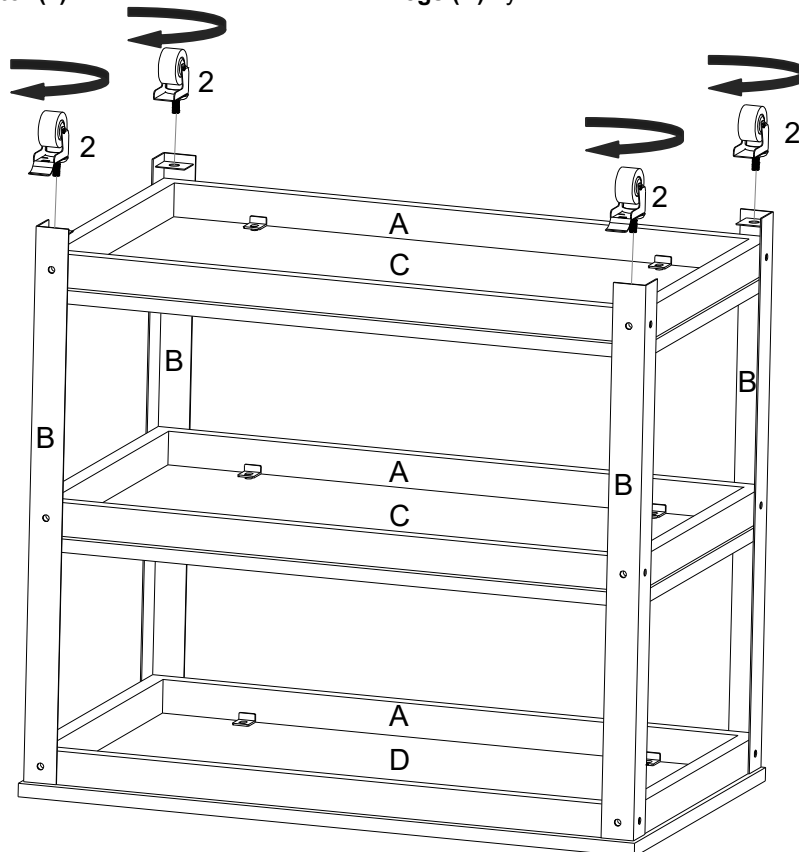


1x4	3x1

Hardware & Tools required

STEP 3:

Tighten 4 pieces of **Castor (2)** into the bottom of assembled **Legs (B)** by hand clockwise until secure as shown.

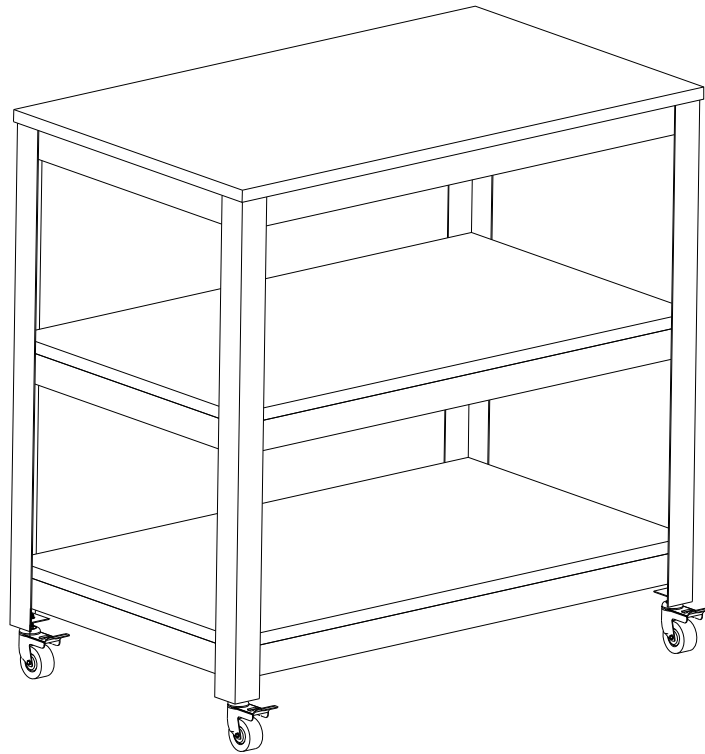


2x4

Hardware & Tools required

STEP 5:

Carefully turn over the assembled bookcase.



Assembly is complete. Your bookcase is ready to be used now!