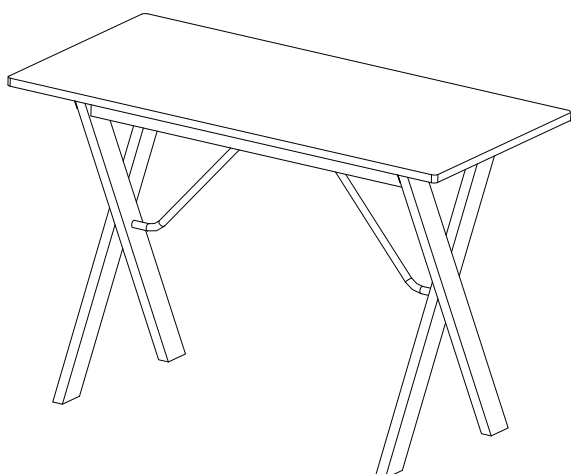





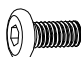



Thank you for purchasing the **MODWAY DESK!**

Before you start, here is some helpful advice:

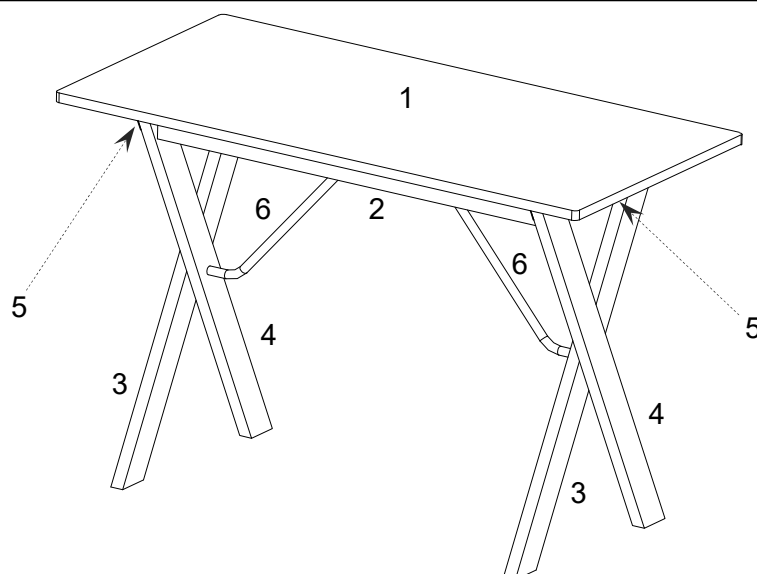
1. We suggest you spend a short time reading through this leaflet and then follow the simple step-by-step instructions.
2. Owing to the size and weight of the desk, we recommend that it is assembled by two adults, on a carpeted or padded area, in the room that it is intended for. Approximate assembly time: 45 minutes.
3. Please do not use any tools other than those provided or recommended in these instructions.
4. Please do not throw away any of the packaging or the instruction until you have checked all the components and hardware and the furniture is fully assembled. Please ensure that the packaging is disposed of in a safe and environmentally friendly way.
5. Assemble all components loosely until advised to tighten. Depending on use, it may be necessary to tighten the components from time to time, so please save the tools that have been provided.
6. Please keep all fitting out of reach of children.



Hardware:

A		Long Bolt M6x75mm	x4
B		Medium Bolt M6x65mm	x2
C		Medium Bolt M6x55mm	x4
D		Short Bolt M6x20mm	x1
E		Spring Washer M6	x11
F		Flat Washer M6	x11
G		Allen Wrench M4	x1

Components:



1	Desk Top	x1	2	Rail	x2	3	Leg I	x2
4	Leg II	x2	5	End Panel	x2	6	Metal Support Rail	x2

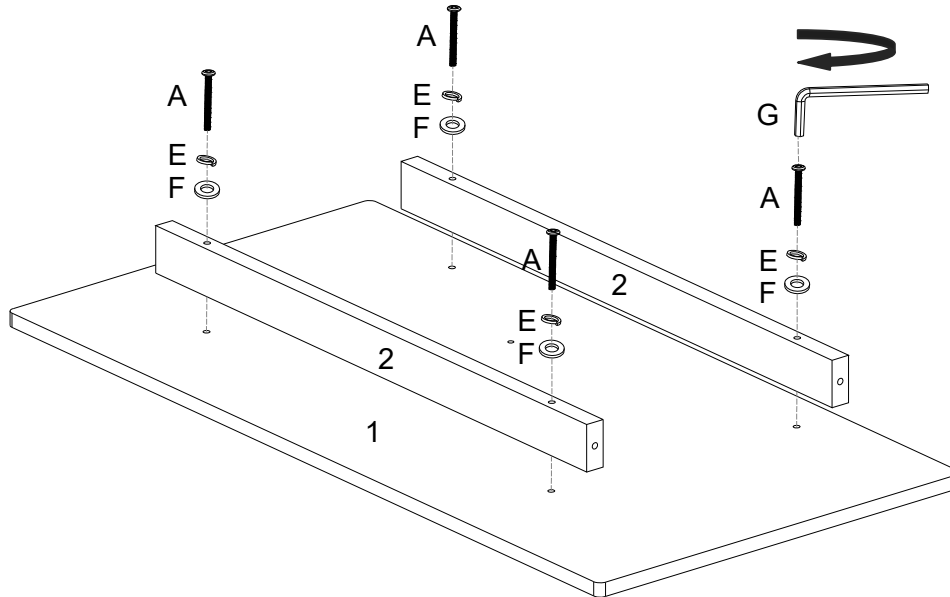
STEP 1:

Put **Desk Top (1)** upside down on a carpeted or padded surface.

Place 2 pieces of **Rail (2)** to **Desk Top (1)** as shown.

Insert 4 pieces of **Long Bolt (A)** with 4 pieces of **Spring Washer (E)** and 4 pieces of **Flat Washer (F)** into the pre-drilled holes on **Desk Top (1)** through the pre-drilled holes on **Rails (2)**.

Use **Allen Wrench (G)** to tighten **Long Bolts (A)** clockwise until secure.



Ax4	Ex4	Fx4	Gx1

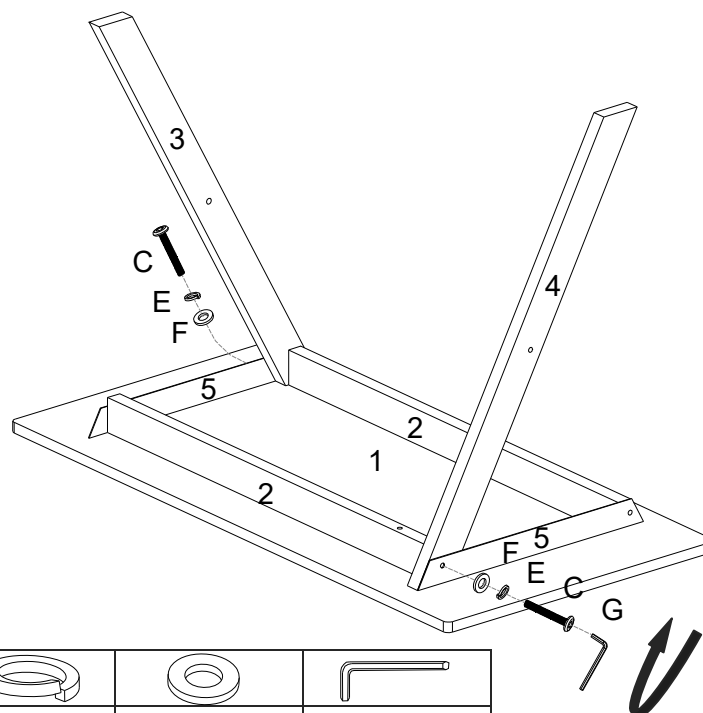
Hardware & Tools required

STEP 2:

Place 1 piece of **Leg I (3)**, 1 piece of **Leg II (4)**, and **End Panels (5)** to the assembled **Desk Top (1)** and **Rails (2)** as shown.

Insert 2 pieces of **Medium Bolt (C)** with 2 pieces of **Spring Washer (E)** and 2 pieces of **Flat Washer (F)** into the pre-drilled holes on the end of **Rail (2)** through the pre-drilled holes on **End panels (5)**.

Use **Allen Wrench (G)** to tighten **Medium Bolts (C)**. Do not fully tighten **Medium Bolts (C)** at this step.



Cx2	Ex2	Fx2	Gx1

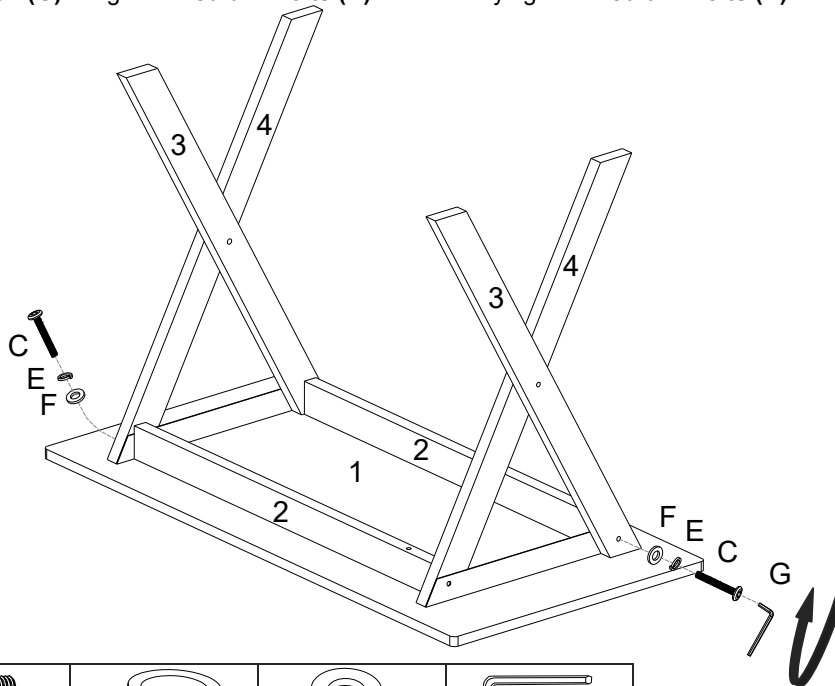
Hardware & Tools required

STEP 3:

Place the remaining 1 piece of **Leg I (3)**, 1 piece of **Leg II (4)**, and **End Panels (5)** to the assembled **Desk Top (1)**, **Rails (2)**, **Leg I (3)**, and **Leg II (4)** as shown.

Insert 2 pieces of **Medium Bolt (C)** with 2 pieces of **Spring Washer (E)** and 2 pieces of **Flat Washer (F)** into the pre-drilled holes on the end of **Rail (2)** through the pre-drilled holes on **End panels (5)**.

Use **Allen Wrench (G)** to tighten **Medium Bolts (C)**. Do not fully tighten **Medium Bolts (C)** at this step.



Cx2	Ex2	Fx2	Gx1

Hardware & Tools required

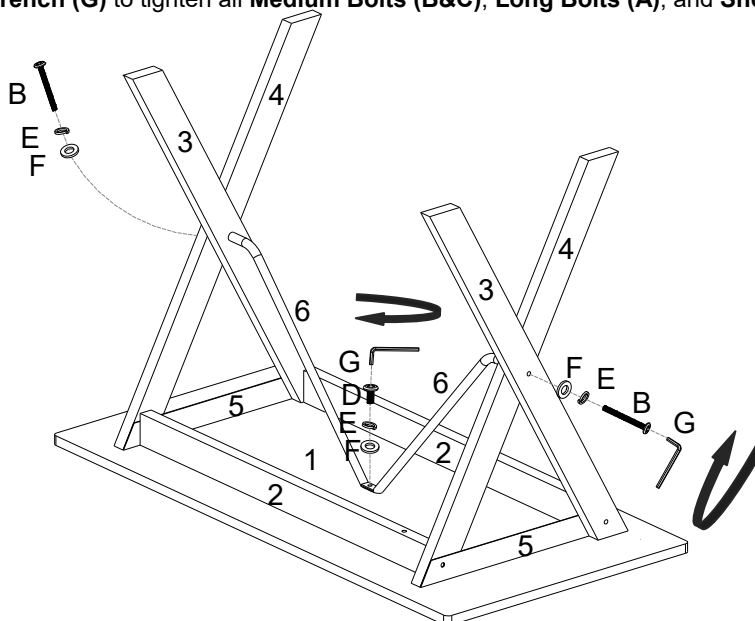
STEP 4:

Place 1 piece of **Leg I (3)**, 1 piece of **Leg II (4)**, and **End Panels (5)** to the assembled **Desk Top (1)** and **Rails (2)** as shown.

Insert 2 pieces of **Medium Bolt (B)** with 2 pieces of **Spring Washer (E)** and 2 pieces of **Flat Washer (F)** into the pre-drilled holes on the end of **Metal Support Rail (6)** through the pre-drilled holes on **Legs (3&4)**.

Insert 1 piece of **Short Bolt (D)** with 1 piece of **Spring Washer (E)** and 1 piece of **Flat Washer (F)** into the pre-drilled holes on **Desk Top (1)** through the pre-drilled holes on **Metal Support Rails (6)** as shown.

Use **Allen Wrench (G)** to tighten all **Medium Bolts (B&C)**, **Long Bolts (A)**, and **Short Bolt (D)** clockwise until secure.

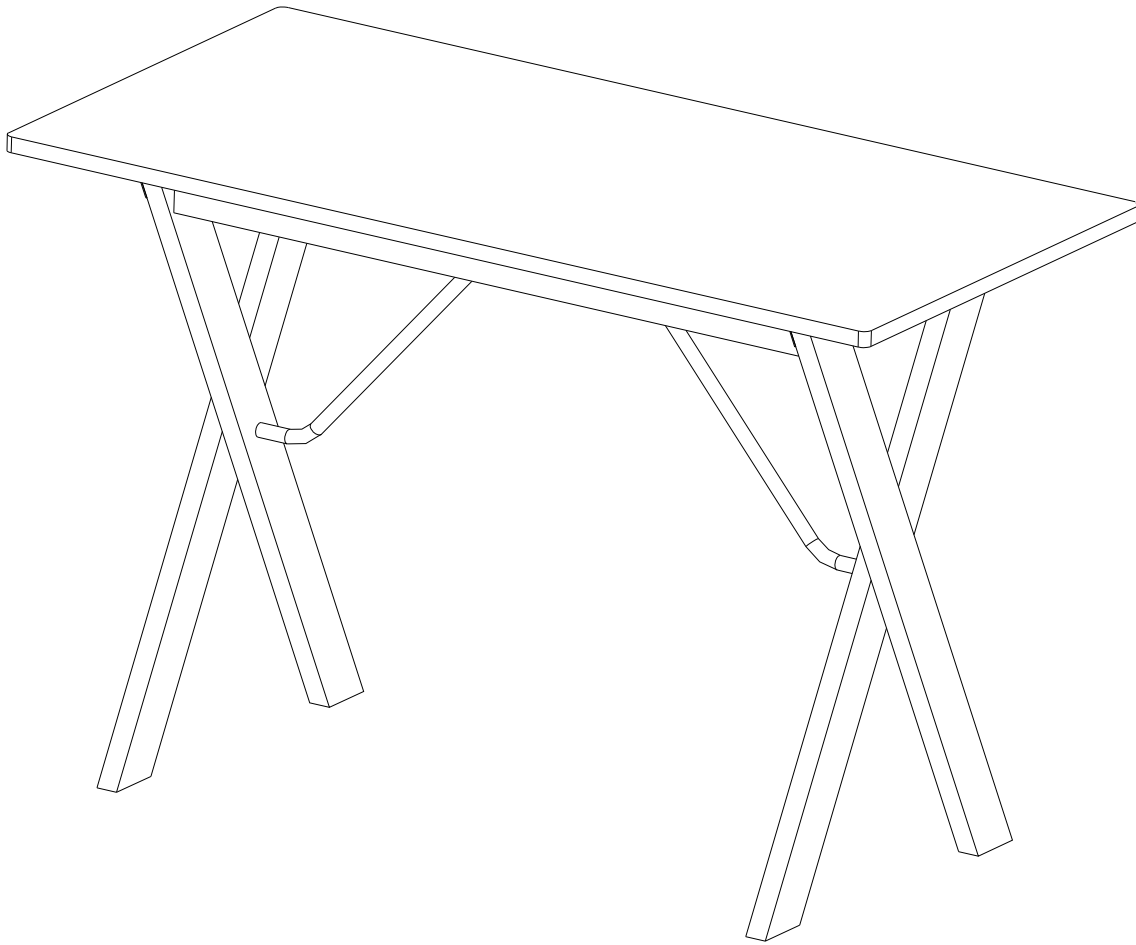


Bx2	Dx1	Ex3	Fx3	Gx1

Hardware & Tools required

STEP 5:

Carefully turn over the assembled desk.



Assembly is complete. Your desk is ready to be used now!