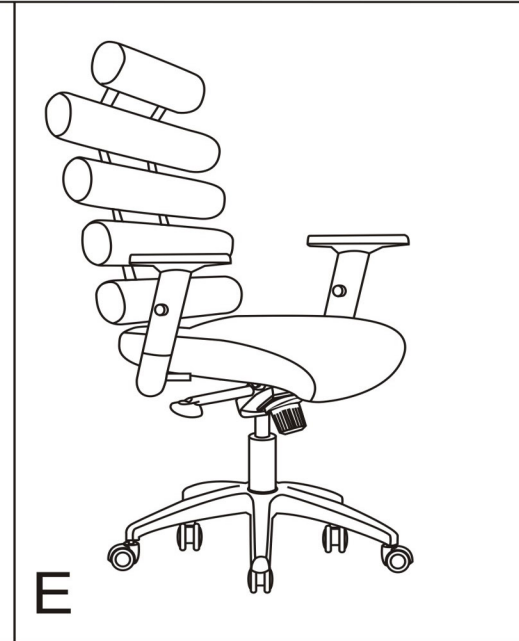
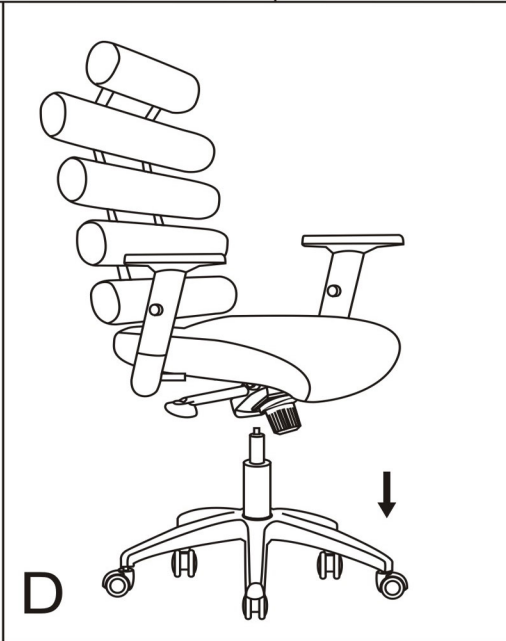
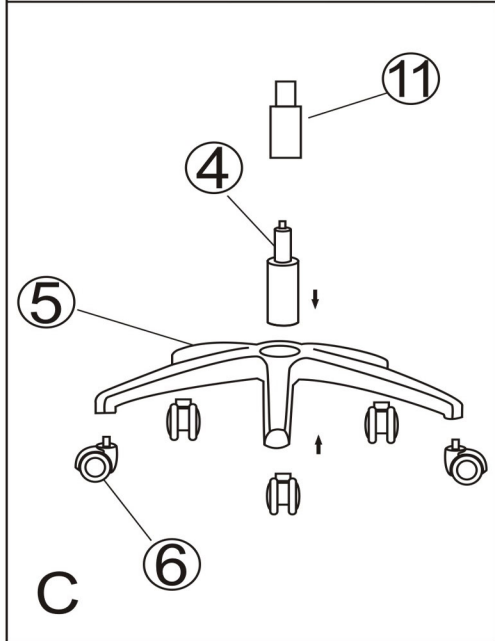
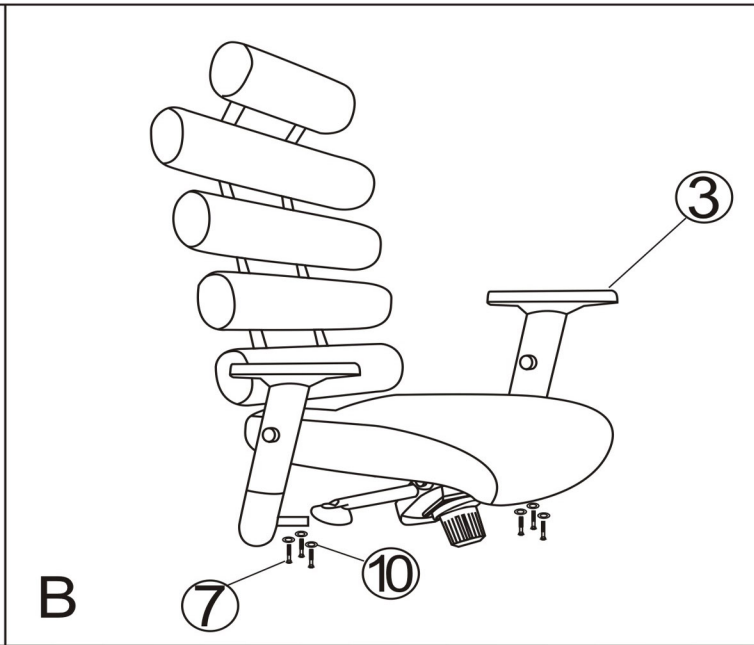
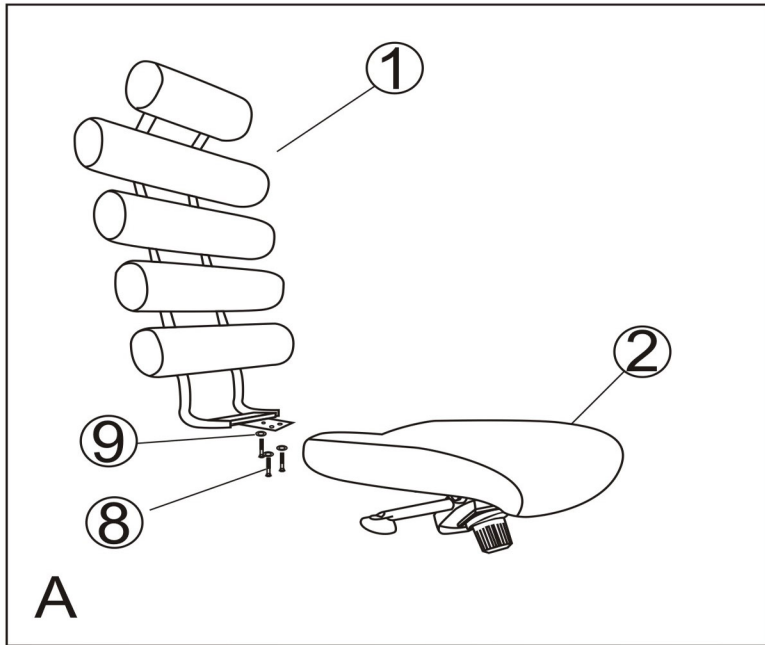


# Assembly Instruction



No.	Accessories	Size	QTY
①			1
②			1
③			2
④			1
⑤			1
⑥			5
⑦		6*35	6
⑧		8*16	3
⑨		M8	3
⑩		M6	6
⑪			1
Tool:		M8	1
Tool:		M6	1