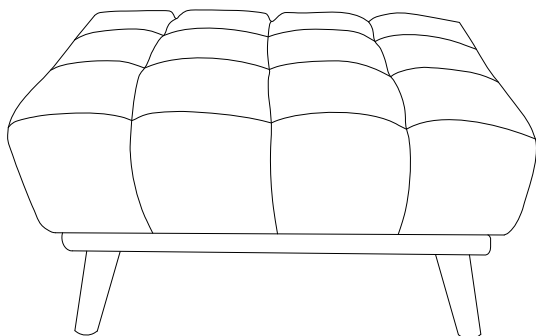




Thank you for purchasing the **MODWAY OTTOMAN!**

Before you start, here is some helpful advice:

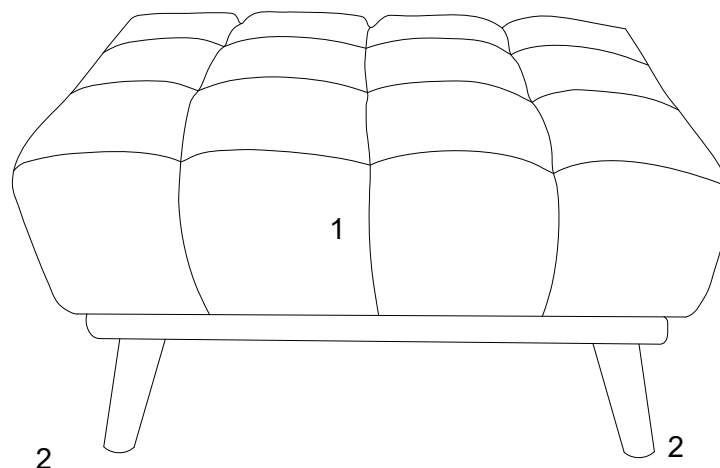
1. We suggest you spend a short time reading through this leaflet and then follow the simple step-by-step instructions.
2. Owing to the size and weight of the ottoman, we recommend that it is assembled by two adults, on a carpeted or padded area, in the room that it is intended for. Approximate assembly time: 15 minutes.
3. Please do not use any tools other than those provided or recommended in these instructions.
4. Please do not throw away any of the packaging or the instruction until you have checked all the components and hardware and the furniture is fully assembled. Please ensure that the packaging is disposed of in a safe and environmentally friendly way.
5. Assemble all components loosely until advised to tighten. Depending on use, it may be necessary to tighten the components from time to time, so please save the tools that have been provided.
6. Please keep all fitting out of reach of children.



Hardware:

A		Bolt M8x25mm	x12
B		Allen Wrench M5	x1

Components:



STEP 1:

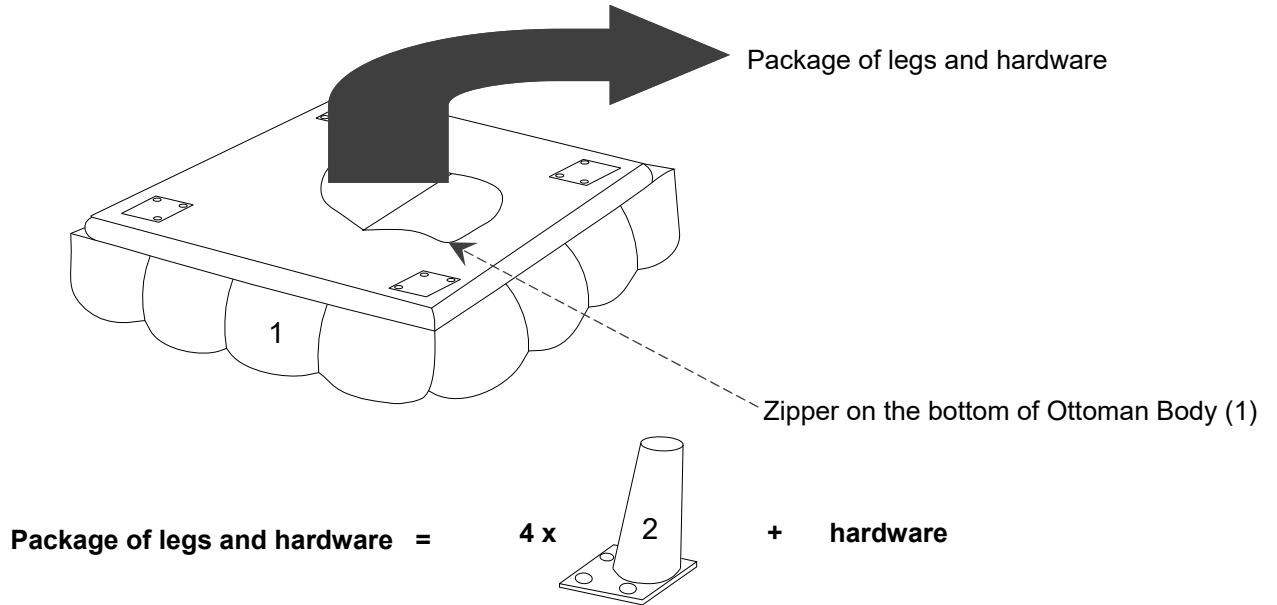
Put **Ottoman Body (1)** upside down on a carpeted or padded surface.

Make the position for assembling **Legs(2)** fully visible.

Open the Zipper on the bottom of **Ottoman Body (1)** and find the package of 4 pieces of **Leg (2)** from inside of **Ottoman Body (1)**.

Cover the Zipper on the bottom of **Ottoman Body (1)**.

Take out 4 pieces of **Leg (2)** and hardware from the package as shown.

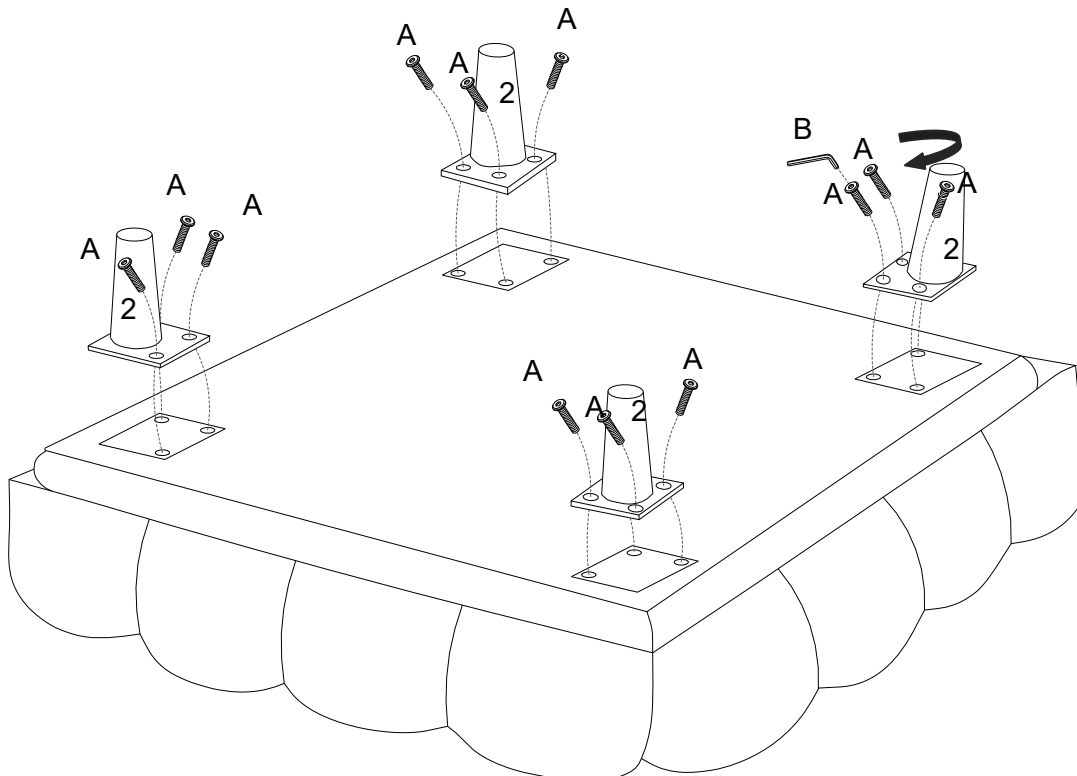


STEP 2:

Place 4 pieces of **Leg (2)** to the bottom of **Ottoman Body (1)**.

Attach by using 12 pieces of **Bolts (A)** as shown.

Use **Allen Wrench (B)** to tighten **Bolts (A)** clockwise until secure.

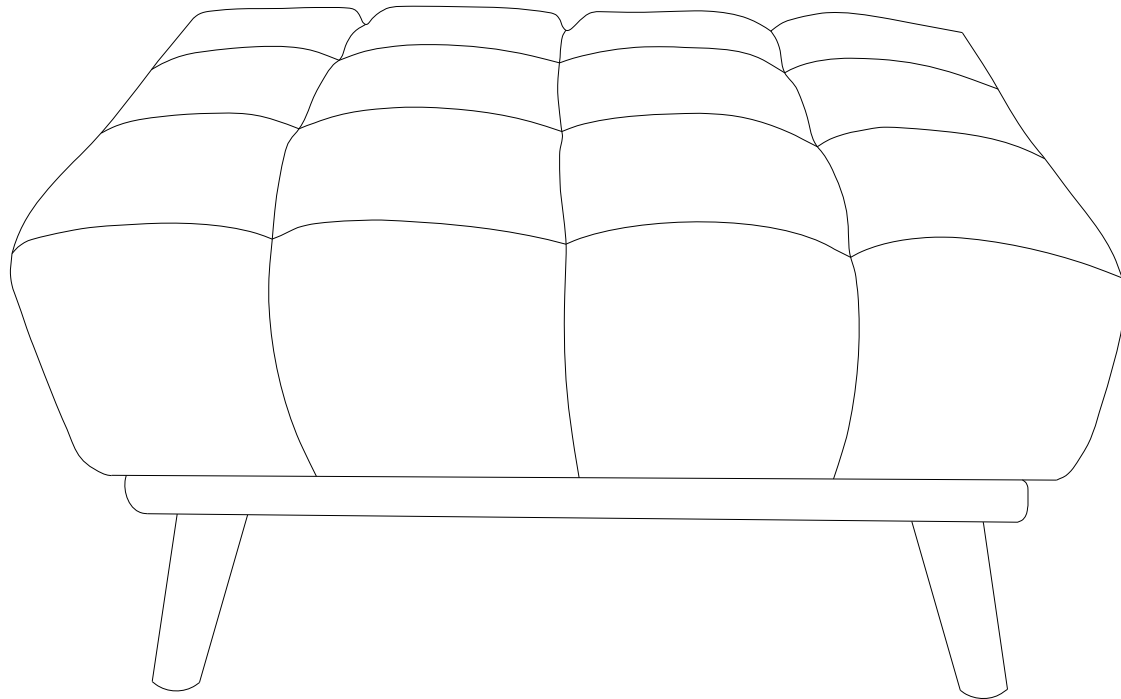


Ax12	Bx1

Hardware & Tools required

STEP 3:

Carefully turn over the assembled ottoman.



Assembly is complete. Your ottoman is ready to be used now!