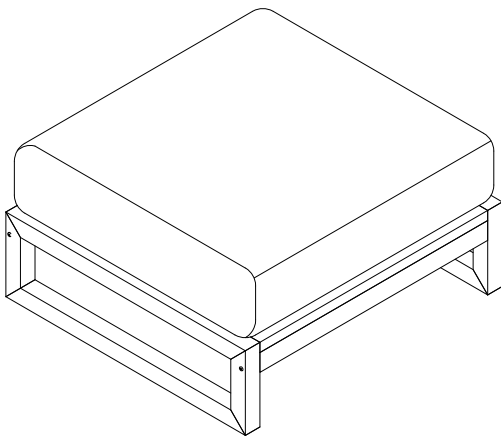




Thank you for purchasing the **MODWAY OTTOMAN!**

Before you start, here is some helpful advice:

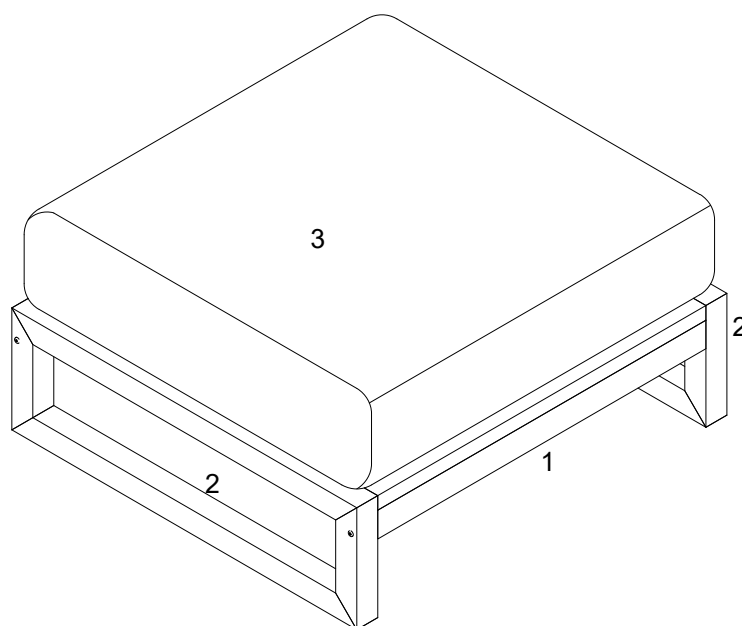
1. We suggest you spend a short time reading through this leaflet and then follow the simple step by step instructions.
2. Owing to the size and weight of the ottoman, we recommend that it is assembled by two adults, on a carpeted or padded area, in the room that it is intended for. Approximate assembly time: 30 minutes.
3. Please do not use any tools other than those provided or recommended in these instructions.
4. Please do not throw away any of the packaging or instructions until you have checked all the components and hardware and the furniture is fully assembled.
5. Assemble all components loosely until advised to tighten. Depending on use, it may be necessary to tighten the components from time to time, so please save the tools that have been provided.
6. Please keep all pieces out of reach of small children.



### Hardware:

- A  Bolt M6x70mm x 4
- B  Allen Wrench M4 x 1

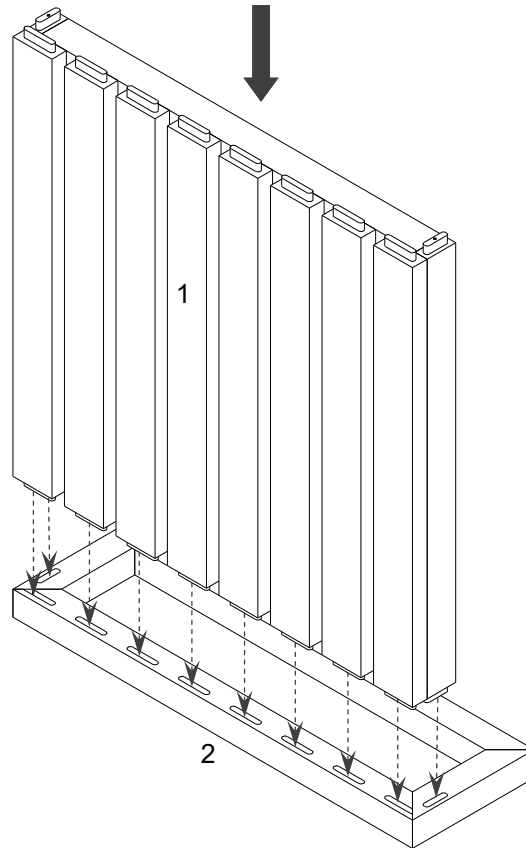
### Component:



## STEP 1:

Please put 1 piece of **Side Frame (2)** on a carpeted or padded area.

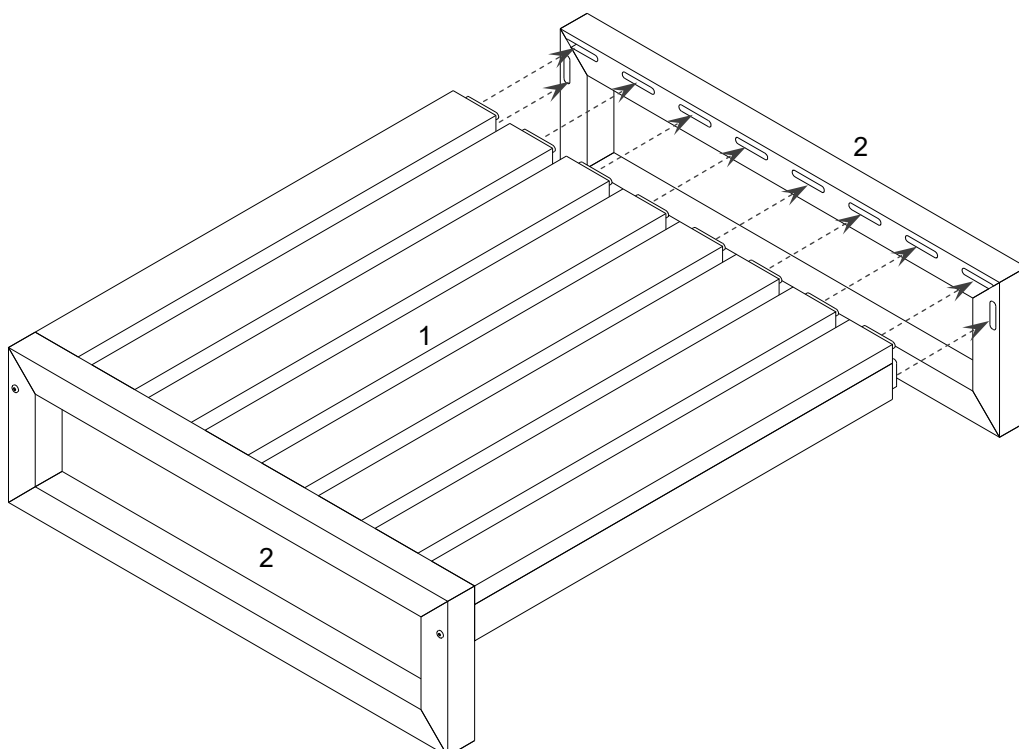
Insert the tenon on **Ottoman Top (1)** into the rabbet on the **Side Frame (2)** as shown.



## STEP 2:

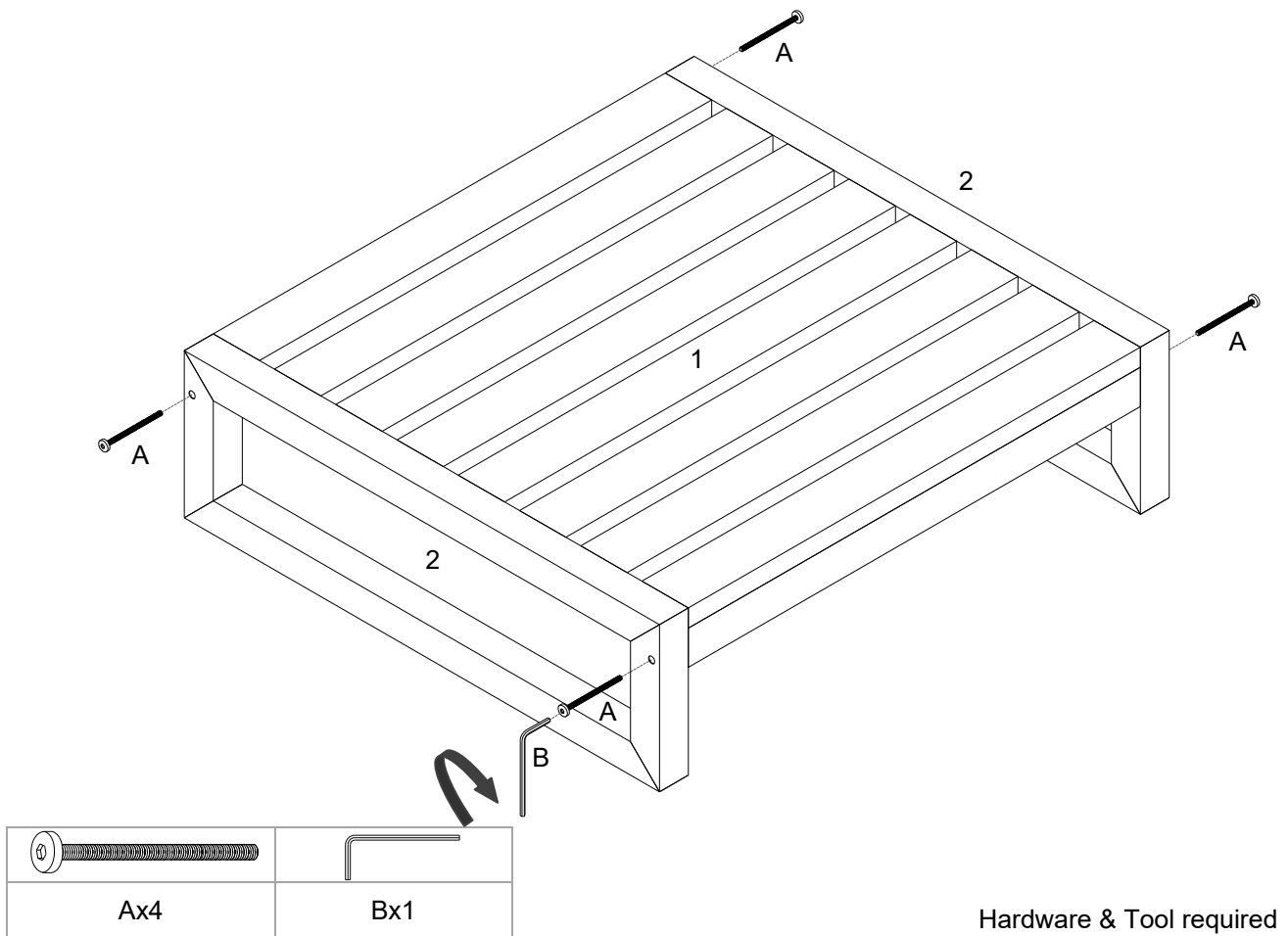
Carefully position the assembled **Ottoman Top (1)** and **Side Frame (2)** as shown.

Insert the tenon on **Ottoman Top (1)** into the rabbet on the other **Side Frame (2)**.



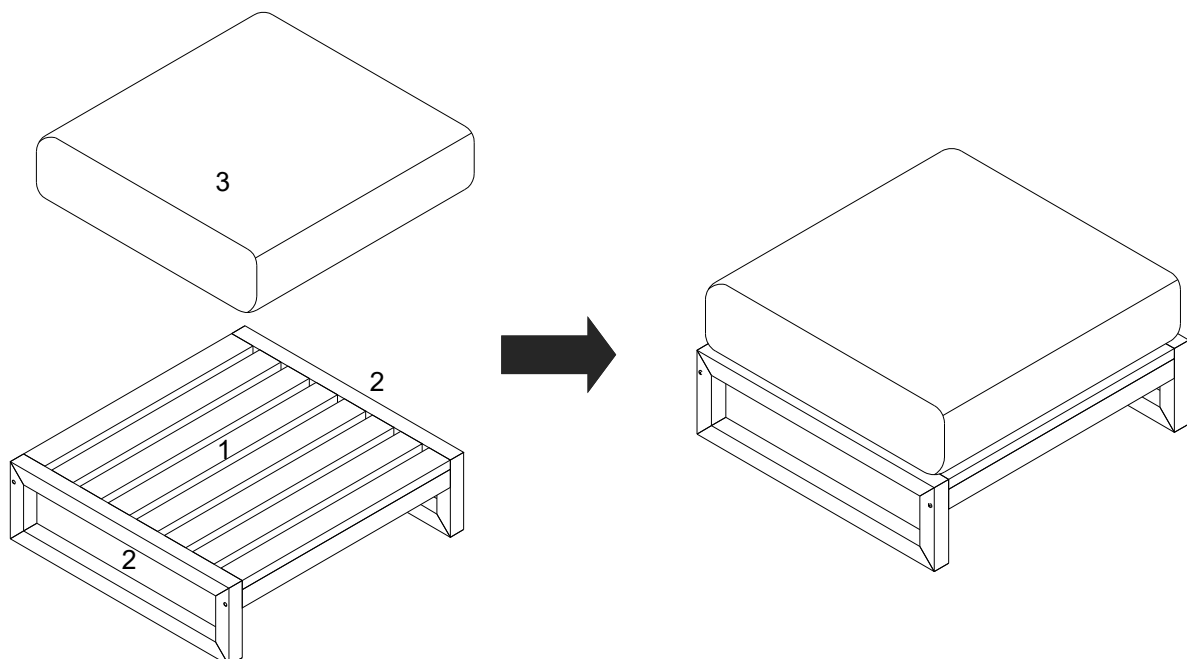
## STEP 3:

Insert 4 pieces of **Bolt (A)** into pre-drilled holes on **Ottoman Top (1)** through the pre-drilled holes on **Side Frames (2)**. Use **Allen Wrench (B)** to tighten all the **Bolts (A)** clockwise until secure.



## STEP 4:

Put **Seat Cushion (3)** to the assembled **Ottoman Top (1)** as shown. Carefully position the assembled side ottoman to the desired location.



Assembly is complete. Your ottoman is ready to be used now!