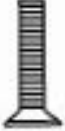

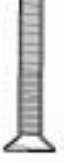
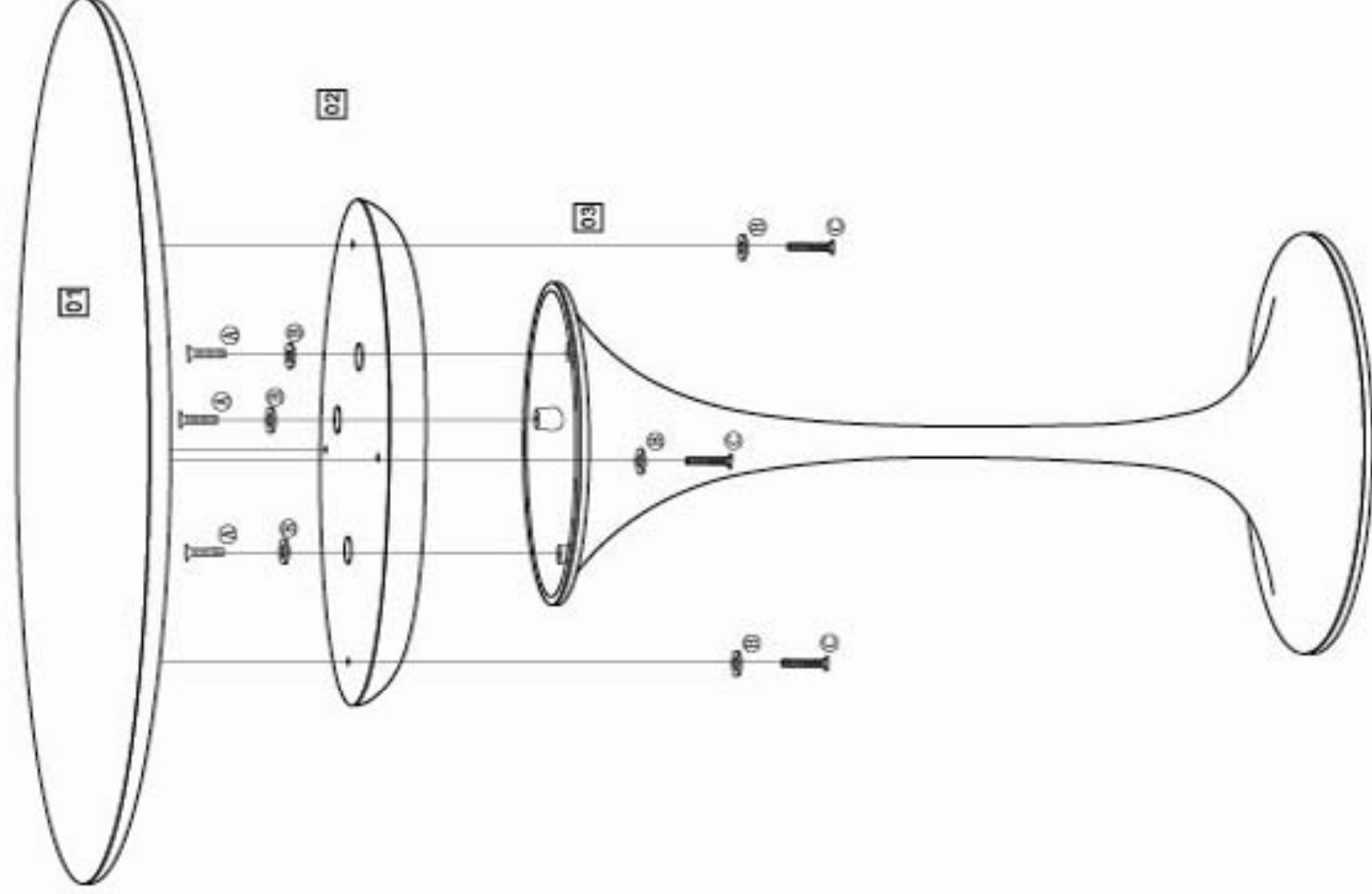


## COMPONENT PARTS

## FITTINGS

- (A)  \*3  
(M6\*30mm)
- (B)  \*7  
(Φ 18-6.5\*2mm)
- (C)  \*4  
(M10\*35mm)



## COMPONENT CHECKLIST

PART	No.	Qty.
Tabletop	01	1
Tray	02	1
Tube	03	1

## TOOLS REQUIRED



Allen key (supplied)