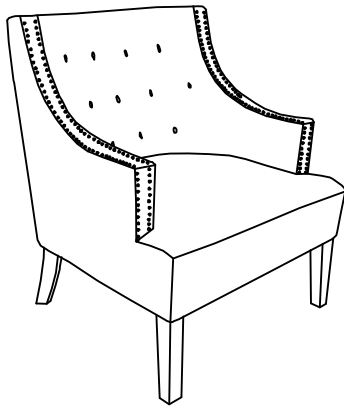


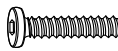



Thank you for purchasing the MODWAY LEISURE CHAIR !

Before you start, here is some helpful advice:

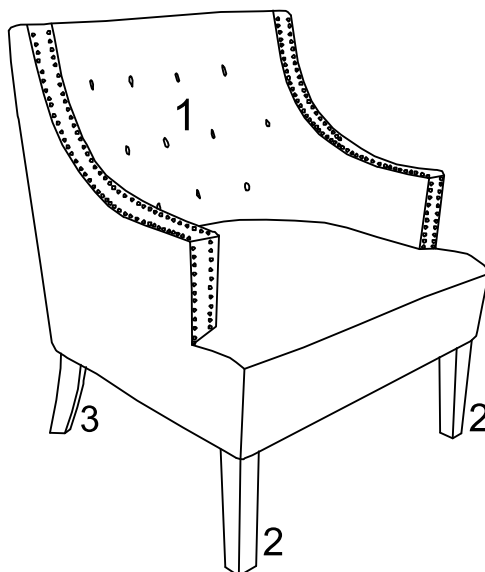
1. We suggest you spend a short time reading through this leaflet and then follow the simple step-by-step instructions.
2. Owing to the size and weight of the leisure chair, we recommend that it is assembled by two adults, on a carpeted or padded area, in the room that it is intended for. Approximate assembly time: 30 minutes.
3. Please do not use any tools other than those provided or recommended in these instructions.
4. Please do not throw away any of the packaging or instructions until you have checked all the components and hardware and the furniture is fully assembled.
5. Assemble all components loosely until advised to tighten. Depending on use, it may be necessary to tighten the components from time to time, so please save the tools that have been provided.
6. Please keep all pieces out of reach of children.



Hardware:

A		Bolt M8x65mm	x8
B		Spring Washer M8	x8
C		Flat Washer M8	x8
D		Allen Wrench	x 1

Component:

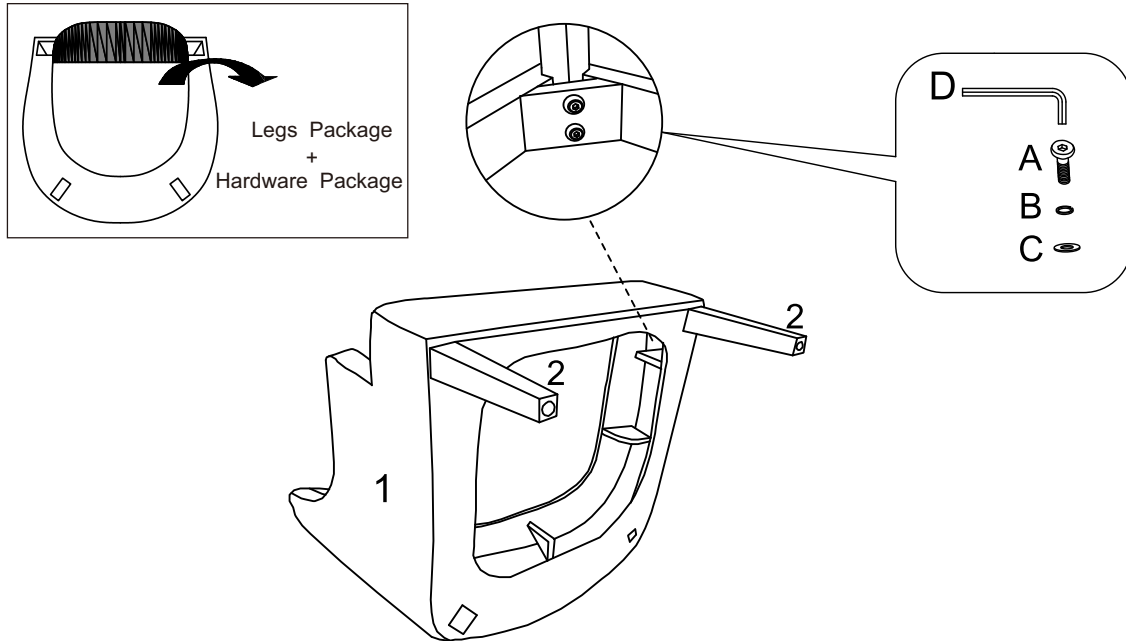


1 Chair Body x1

2 Front Legs x2

3 Back Legs x2

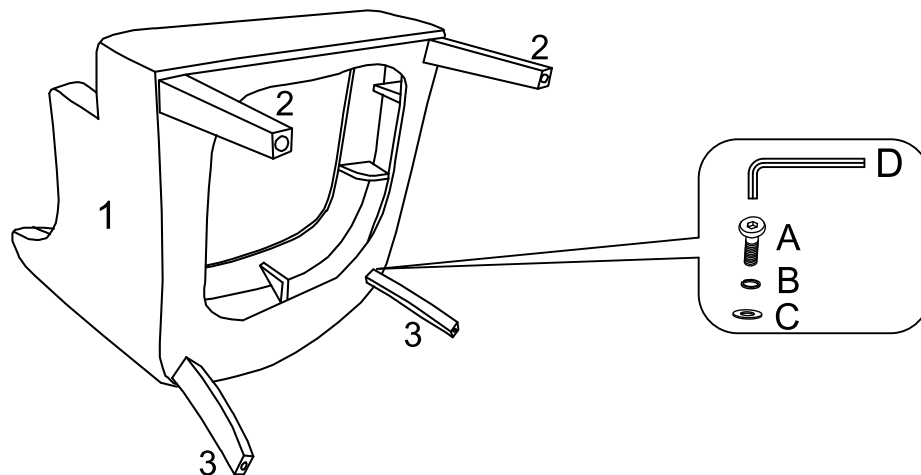
STEP1: Please open the Velcro on the bottom of **Seat Frame (1)** to find legs package and hardware package. Insert 1 piece of **Front Leg (2)** with 2 pieces of **Bolt (A)**, 2 pieces of **Spring Washer (B)**, and 2 pieces of **Flat Washer (C)** into the bottom of **Seat Frame (1)** as shown. Repeat the same steps for another **Front Leg (2)**. Do not fully tighten **Bolts (A)** at this step.



A×4	B×4	C×4	D×1

Hardware & Tool required

STEP2: Insert 1 piece of **Back Leg (3)** with 2 pieces of **Bolt (A)**, 2 pieces of **Spring Washer (B)**, and 2 pieces of **Flat Washer (C)** into the bottom of **Seat Frame (1)** as shown. Repeat the same steps for another **Back Leg (3)**. Do not fully tighten **Bolts (A)** at this step.



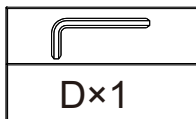
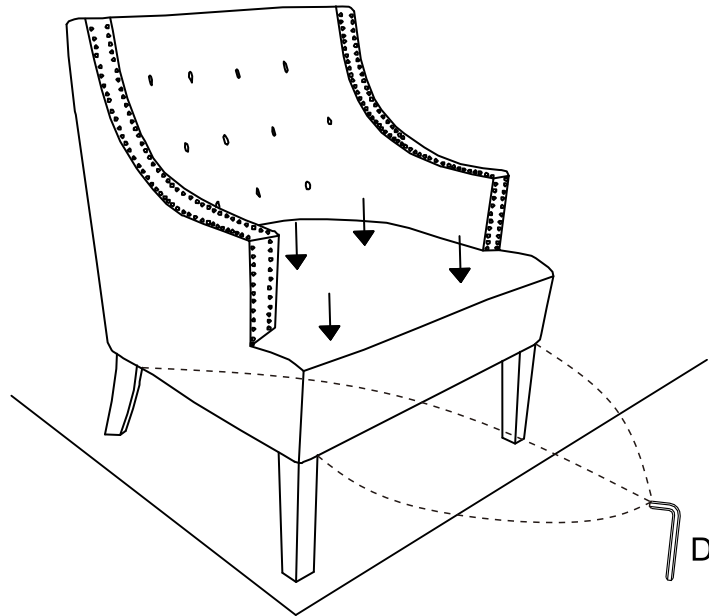
A×4	B×4	C×4	D×1

Hardware & Tool required

STEP3: Carefully turn over the chair .

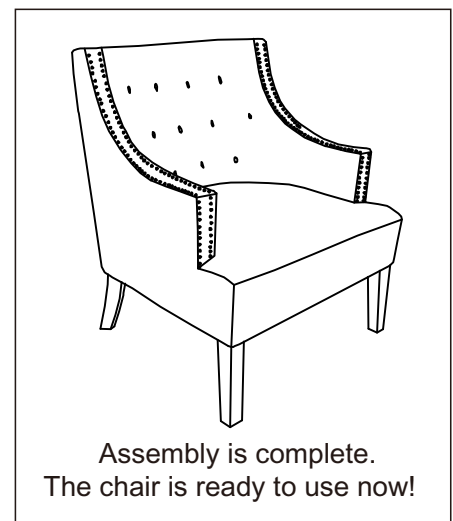
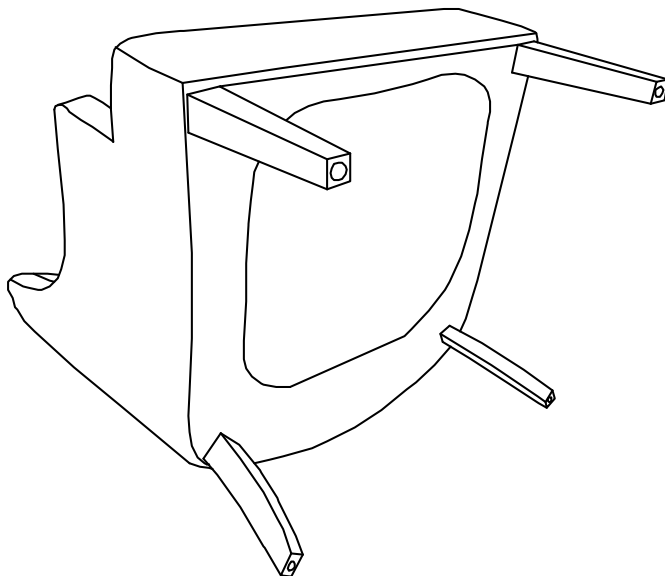
Please put a heavy object or seat one adult on top of the **Chair Body (1)** to pressure the chair for leveling.

Fully tighten all **Bolts (A)** with **Allen Wrench (D)**.



Hardware & Tool required

STEP4: Recover the Velcro on the bottom of **Chair Body (1)**.



Hardware & Tool required