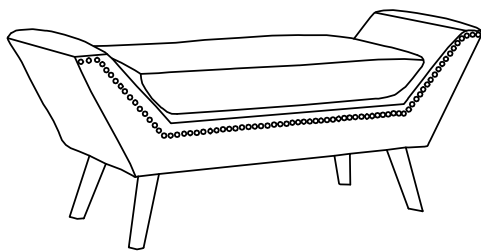





Thank you for purchasing the MODWAY BENCH!

Before you start, here is some helpful advice:

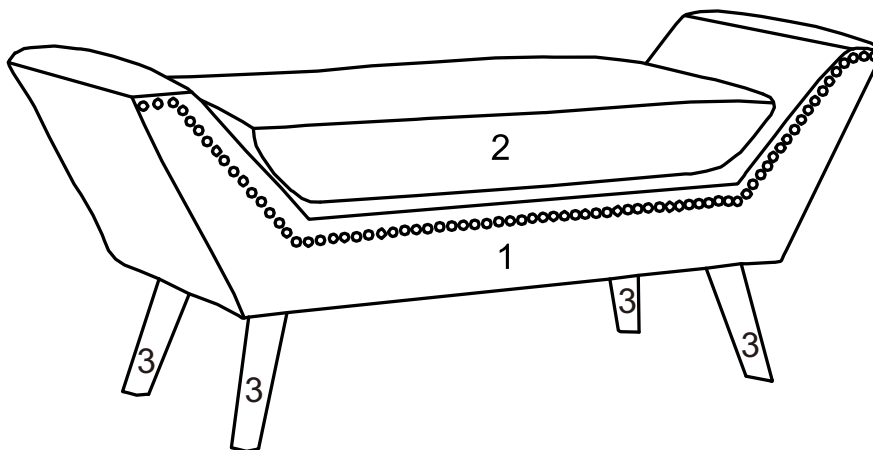
1. We suggest you spend a short time reading through this leaflet and then follow the simple step-by-step instructions.
2. Owing to the size and weight of the bench, we recommend that it is assembled by two adults, on a carpeted or padded area, in the room that it is intended for. Approximate assembly time: 30 minutes.
3. Please do not use any tools other than those provided or recommended in these instructions.
4. Please do not throw away any of the packaging or instructions until you have checked all the components and hardware and the furniture is fully assembled.
5. Assemble all components loosely until advised to tighten. Depending on use, it may be necessary to tighten the components from time to time, so please save the tools that have been provided.
6. Please keep all pieces out of reach of children.



Hardware:

A		Bolt M6×25mm	×16
B		Allen Wrench	× 1
C		Adjustable Glide (2 pieces for backup)	×6

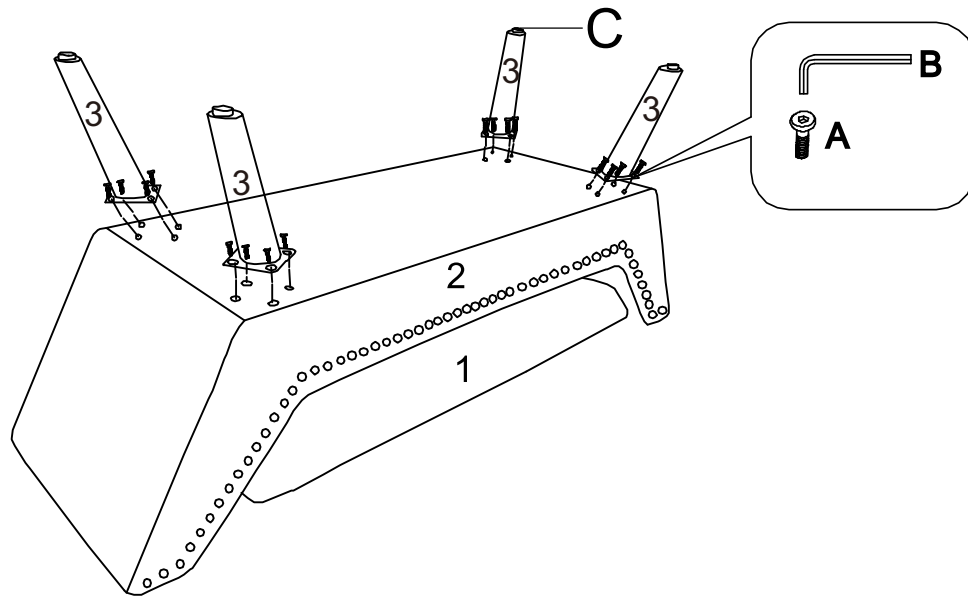
Component:



1.Seat Frame × 1	2.Seat Cushion ×1	3.Legs ×4
-----------------------	------------------------	--------------------------------

STEP1: please find legs package and hardware package between the **Seat Frame (1)** and the **Seat Cushion (2)**.

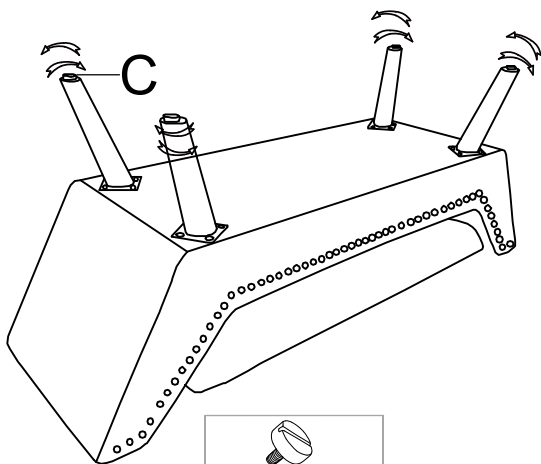
Insert 4 pieces of **Leg (3)** into the bottom of **Seat Frame (1)** by **Bolt (A)** as shown. Do not fully tighten **Bolts (A)** for other three legs.



A×16	B×1

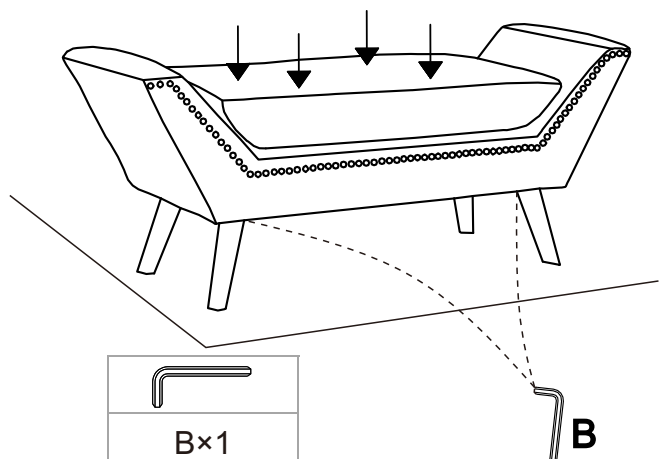
Hardware & Tool required

STEP2: Please adjust the **Adjustable Glide (C)** in between the leg and the seat to balance the chair for uneven floor.



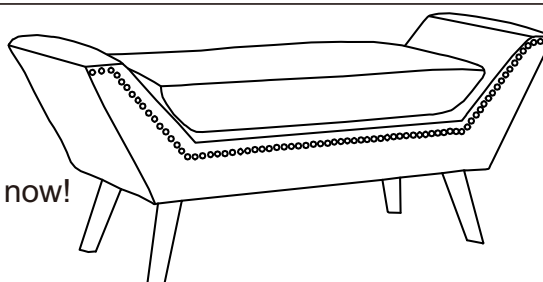
C×4

STEP 3: Please carefully turn over the chair. Please put a heavy object or seat one adult on top of the **Seat Frame (1)** to pressure the chair for leveling. Fully tighten all **Bolts (A)** with **Allen Wrench (B)**.



B×1

Assembly is complete.
The bench is ready to use now!



Hardware & Tool required