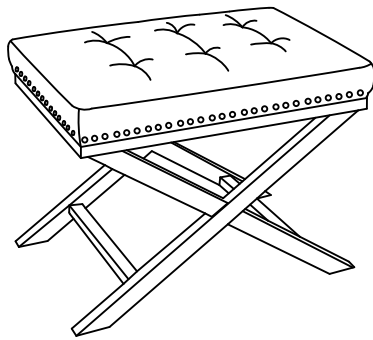








Thank you for purchasing the MODWAY BENCH !

Before you start, here is some helpful advice:

1. We suggest you spend a short time reading through this leaflet and then follow the simple step-by-step instructions.
2. Owing to the size and weight of the bench, we recommend that it is assembled by two adults, on a carpeted or padded area, in the room that it is intended for. Approximate assembly time: 30 minutes.
3. Please do not use any tools other than those provided or recommended in these instructions.
4. Please do not throw away any of the packaging or instructions until you have checked all the components and hardware and the furniture is fully assembled.
5. Assemble all components loosely until advised to tighten. Depending on use, it may be necessary to tighten the components from time to time, so please save the tools that have been provided.
6. Please keep all pieces out of reach of children.

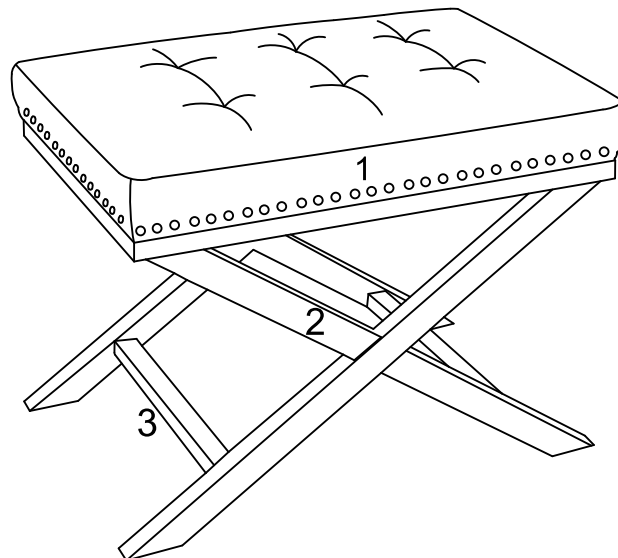


### Hardware:

A		Bolt M6×45mm	×4
B		Bolt M6×35mm	×4
C		Spring Washer M8	×4
D		Flat Washer M8	×4
E		Allen Wrench	×1
F		Felt	×2

(Remarks: 2 pcs for backup use only)

### Component:

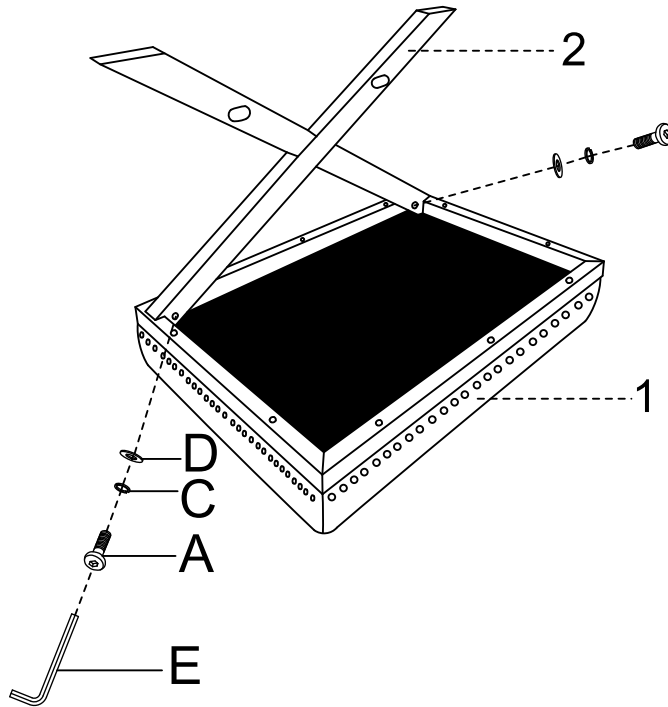






1 Seat Frame ×1

2 X-Legs ×2

3 Side Rail ×2

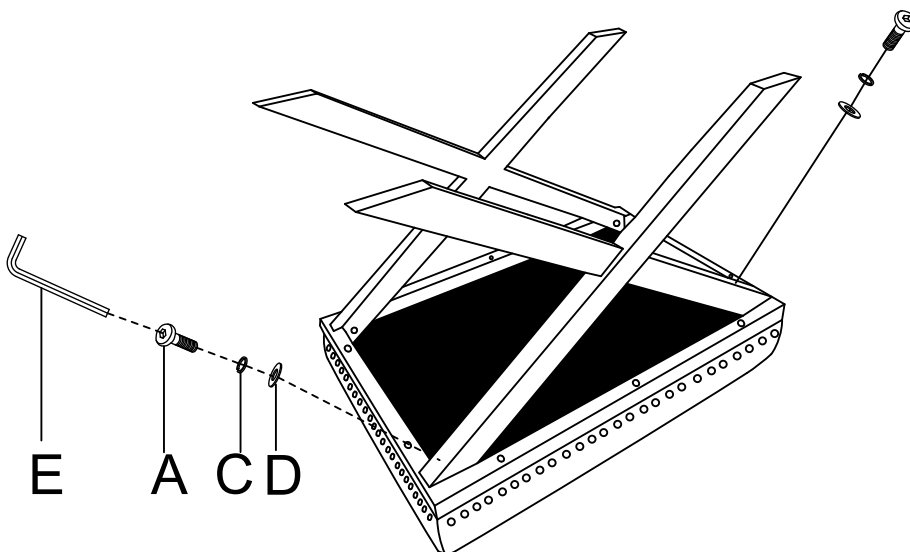
STEP1: Insert 1 piece of **X-Leg (2)** with 2 pieces of **Bolt (A)**, 2 pieces of **Spring Washer (C)**, and 2 pieces of **Flat Washer (D)** into the bottom of **Seat Frame (1)** as shown.  
Do not fully tighten **Bolts (A)** for **X-Leg (2)**.







			
A×2	C×2	D×2	E×1

Hardware & Tool required

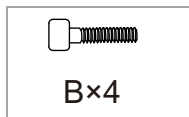
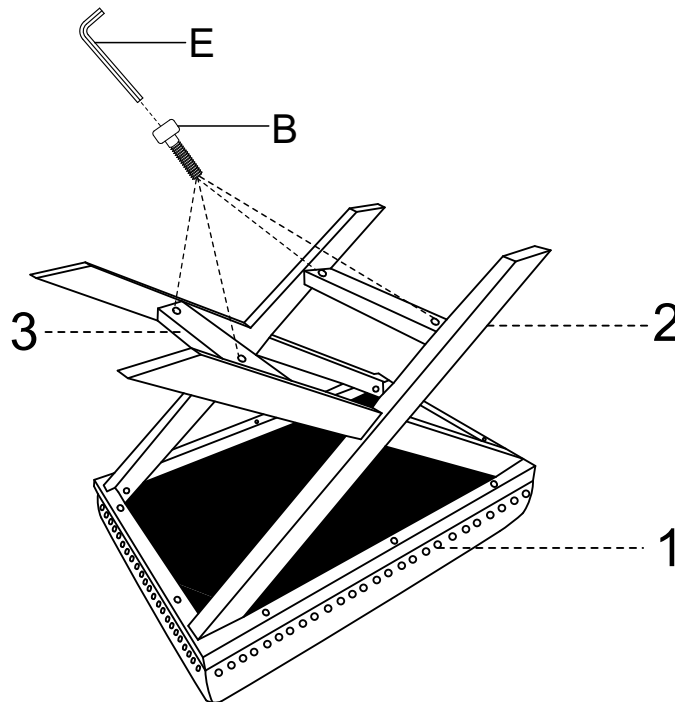
STEP2: Repeat the same steps for another **X-Leg (2)**.  
Do not fully tighten **Bolts (A)** for another **X-Leg (2)**.



			
A×2	C×2	D×2	E×1

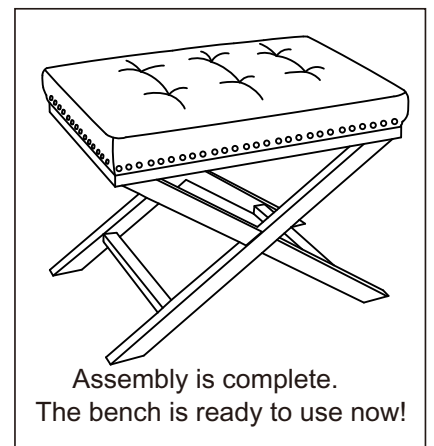
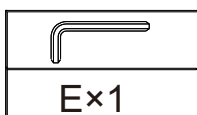
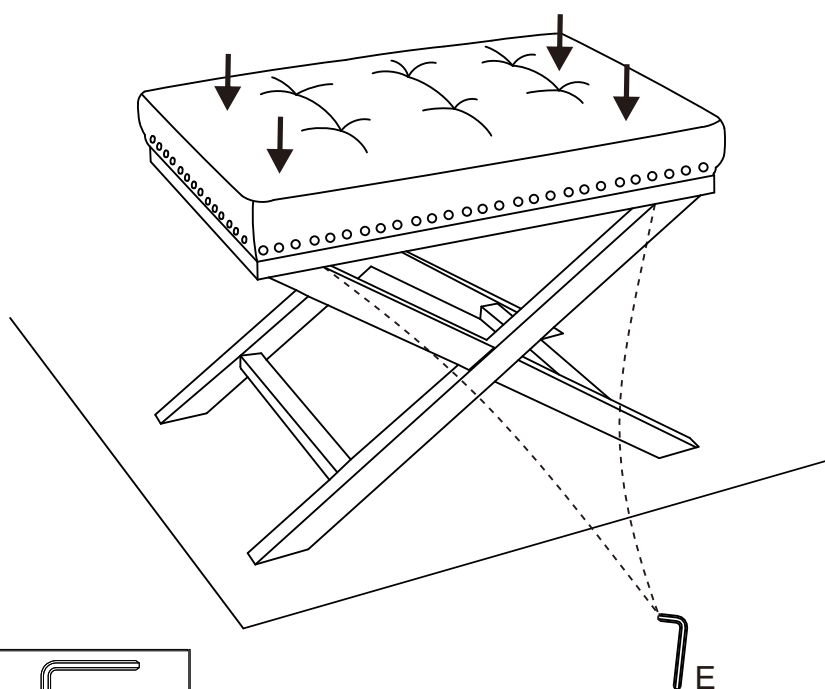
Hardware & Tool required

STEP3: Insert 1 piece of **Side Rail (3)** into the **X-Legs (2)** as shown.  
 Attach by 2 pieces of **Bolt (B)** as shown. Repeat the same steps for another **Side Rail (3)**.  
 Do not fully tighten **Bolts (B)** for **Side Rail (3)**.



Hardware & Tool required

STEP4: Carefully turn over the chair and adjust balance of the chair.  
 Please put a heavy object or seat one adult on top of the **Seat Frame (1)** to pressure the chair for leveling.  
 Fully tighten all Bolts with **Allen Wrench (E)**.



Hardware & Tool required