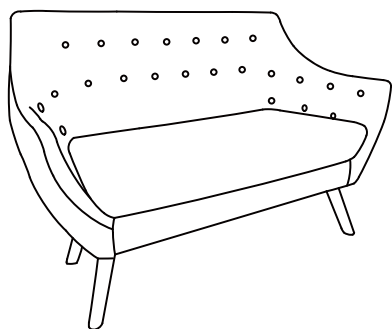







Thank you for purchasing the MODWAY LEISURE CHAIR !

Before you start, here is some helpful advice:

1. We suggest you spend a short time reading through this leaflet and then follow the simple step-by-step instructions.
2. Owing to the size and weight of the leisure chair ,we recommend that it is assembled by two adults, on a carpeted or padded area, in the room that it is intended for. Approximate assembly time: 30 minutes.
3. Please do not use any tools other than those provided or recommended in these instructions.
4. Please do not throw away any of the packaging or instructions until you have checked all the components and hardware and the furniture is fully assembled.
5. Assemble all components loosely until advised to tighten. Depending on use, it may be necessary to tighten the components from time to time, so please save the tools that have been provided.
6. Please keep all pieces out of reach of children.

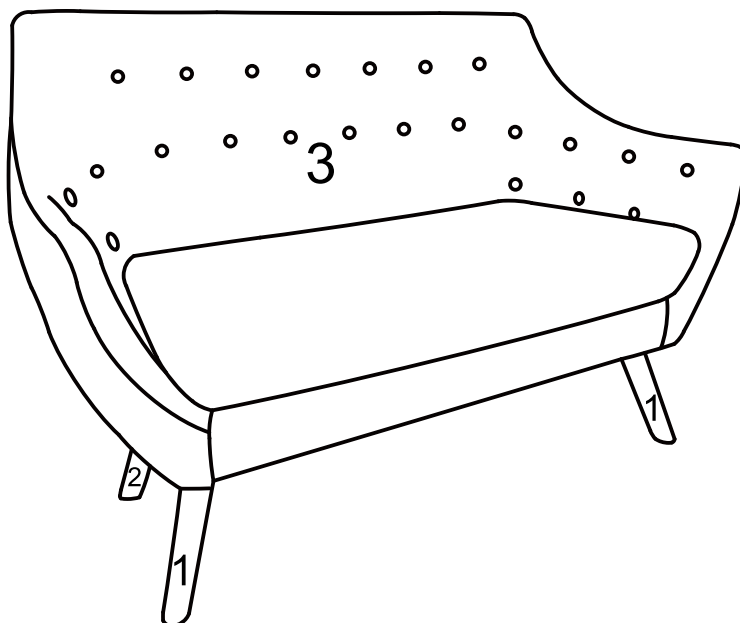


Hardware:

A		Bolt M8×100mm	×8
B		Spring Washer M8	×8
C		Flat Washer M8	×8
D		Allen Wrench	x 1
E		Adjustable Glide×2	

(Remarks: 2 pcs for backup use only)

Component:



1 Front Legs ×2

2 Back Legs ×2

3 Chair Body ×1

