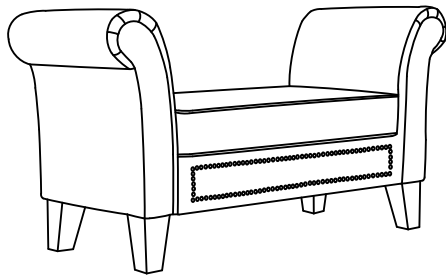





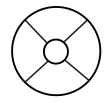

Thank you for purchasing the MODWAY BENCH!

Before you start, here is some helpful advice:

1. We suggest you spend a short time reading through this leaflet and then follow the simple step-by-step instructions.
2. Owing to the size and weight of the bench, we recommend that it is assembled by two adults, on a carpeted or padded area, in the room that it is intended for. Approximate assembly time: 30 minutes.
3. Please do not use any tools other than those provided or recommended in these instructions.
4. Please do not throw away any of the packaging or instructions until you have checked all the components and hardware and the furniture is fully assembled.
5. Assemble all components loosely until advised to tighten. Depending on use, it may be necessary to tighten the components from time to time, so please save the tools that have been provided.
6. Please keep all pieces out of reach of children.

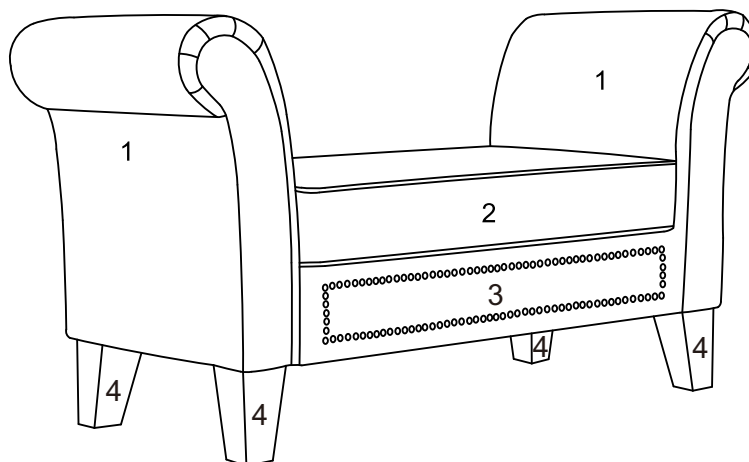


Hardware:

A		Bolt M8x50mm	x10
B		Spring Washer M8	x10
C		Flat Washer M8	x10
D		Plastic Washer	x4
E		Allen Wrench	x 1

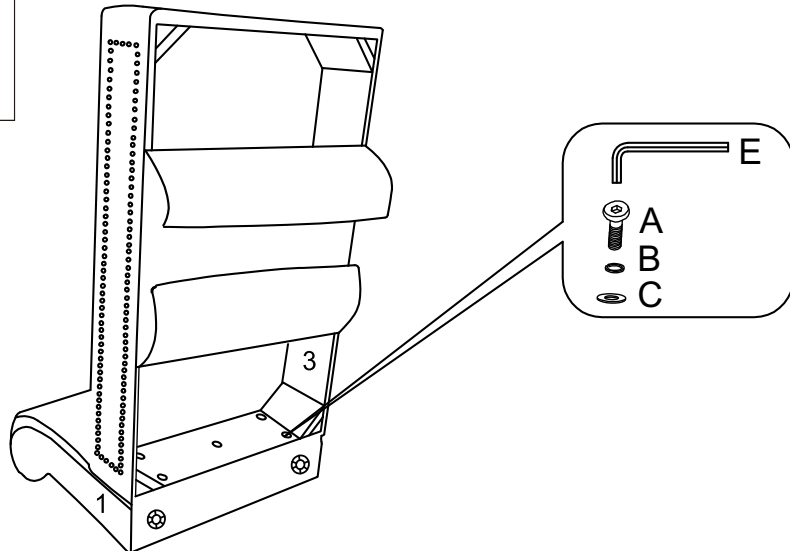
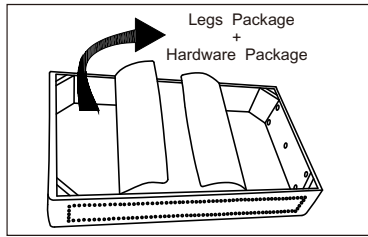
(Remarks: If damaged or the chair is not even after assembly can be used as backup.)

Component:



1 Side Arms	x2	2 Seat Cushion	x1	3 Seat Frame	x1	4 Legs	x4
-------------	----	----------------	----	--------------	----	--------	----

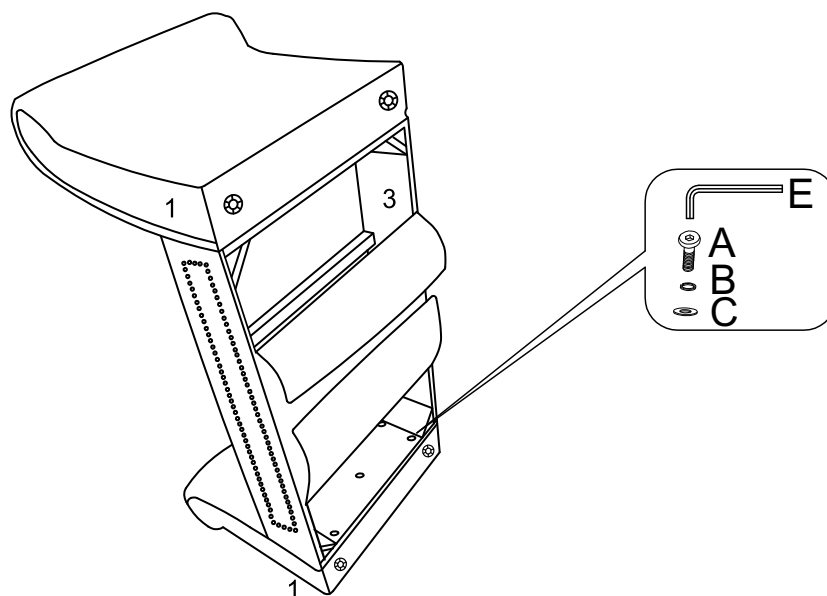
STEP1: Please open the Velcro on the bottom of **Seat Frame (3)** to find legs package and hardware package. Attach one of **Side Arm (1)** and **Seat Frame (3)** by 5 pieces of **Bolt (A)**, 5 pieces of **Spring Washer (B)**, and 5 pieces of **Flat Washer (C)** as shown. Do not fully tighten **Bolts (A)**.



A×5	B×5	C×5	E×1

Hardware & Tool required

STEP2: Repeat the same step for another **Side Arm (1)**.

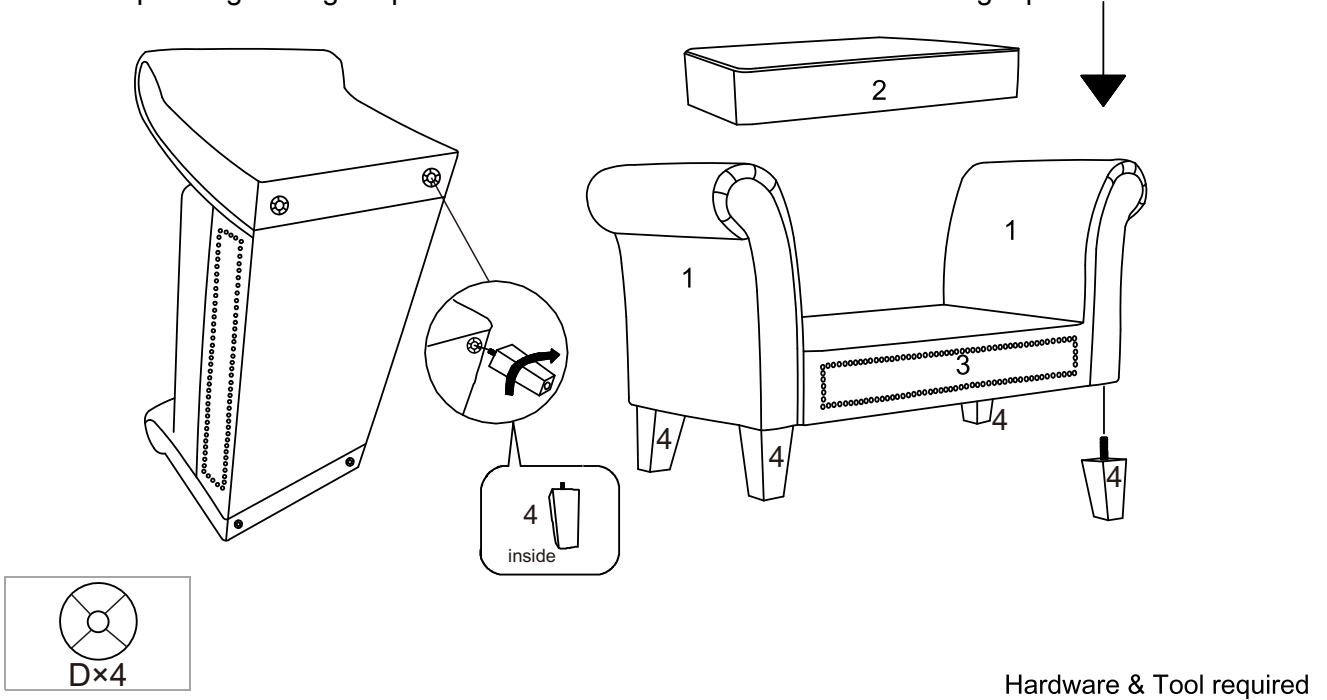


A×5	B×5	C×5	E×1

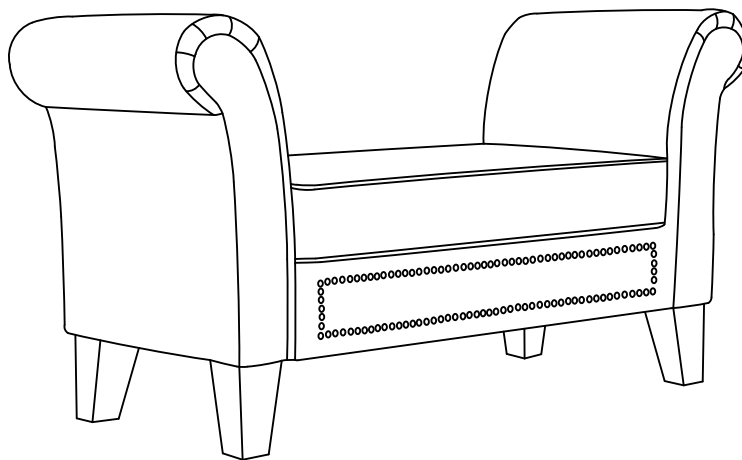
Hardware & Tool required

STEP3: Recover the Velcro on the bottom of **Seat Frame (3)**. Insert **Legs (4)** with 4 pieces of **Plastic Washer (D)** into the bottom of **Seat Frame (3)** until secured tightly and right position as shown. Put the **Seat Cushion (2)** to the **Seat Frame (3)**.

Attention: Please pay attention to the direction of the legs.
The topped edge of legs is positioned inside. Please assemble it in the right position as shown.



STEP4: Carefully turn over the bench.



Assembly is complete. The bench is ready to use now!

Hardware & Tool required