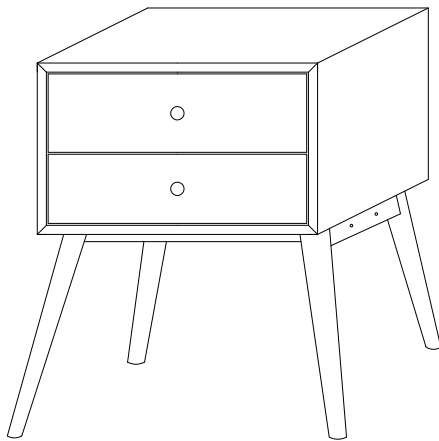



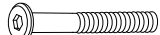


Thank you for purchasing the **MODWAY SIDE TABLE**!

Before you start, here is some helpful advice:

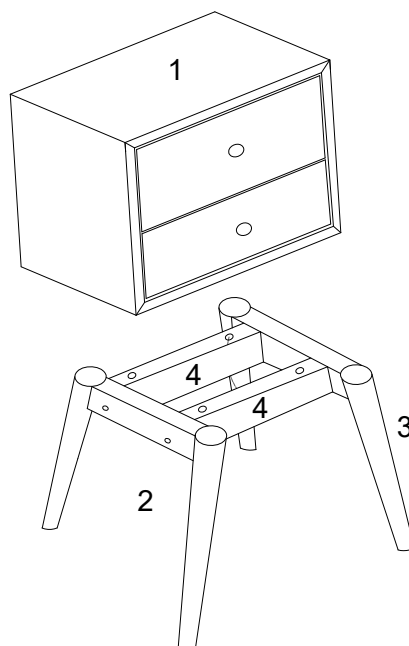
1. We suggest you spend a short time reading through this leaflet and then follow the simple step by step instructions.
2. Owing to the size and weight of the side table, we recommend that it is assembled by two adults, on a carpeted or padded area, in the room that it is intended for. Approx assembly time: 30 minutes.
3. Please do not use any tools other than those provided or recommended in these instructions.
4. Please do not throw away any of the packaging or the instruction until you have checked all the components and hardware and the furniture is fully assembled. Please ensure that the packaging is disposed of in a safe environmentally friendly way.
5. Assemble all components loosely until advised to tighten. Depending on use, it may be necessary to tighten the components from time to time, so please save the tools that has been provided.
6. Please keep all fitting out of reach of children.



Hardware:

A		Short Bolt M6x30mm	x4
B		Long Bolt M8x50mm	x4
C		Allen Wrench M4	x1
D		Allen Wrench M5	x1

Component:



1	Side Table Body	x1	2	Left Leg	x1
3	Right Leg	x1	4	Rail	x2

STEP 1:

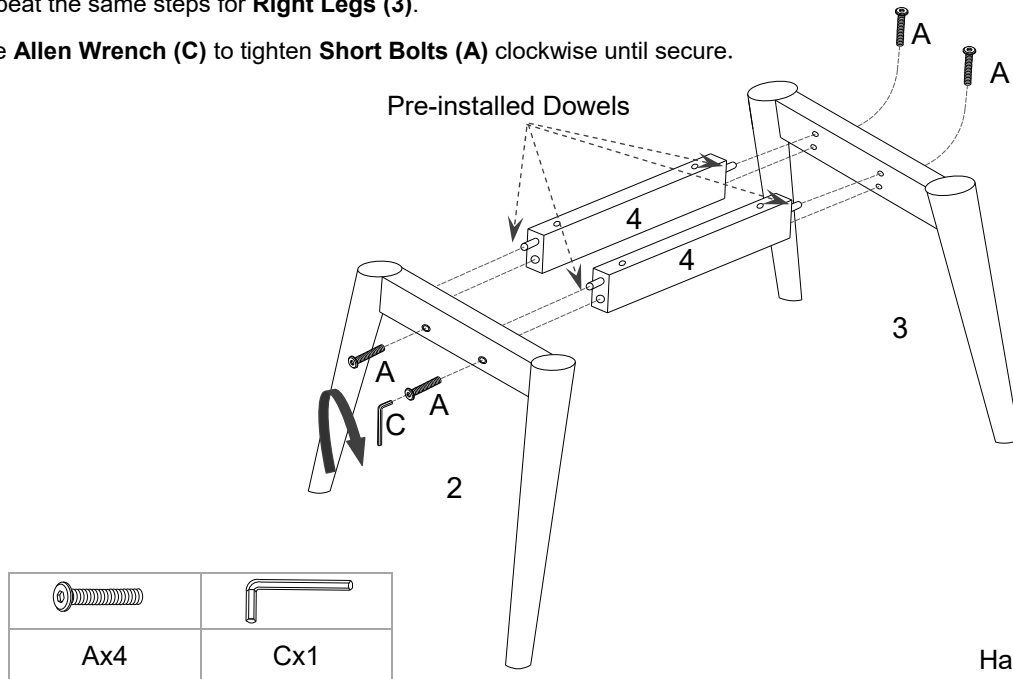
Two person are needed for this step.

Insert pre-installed Dowels on each end of **Rails (4)** into the top pre-drilled holes on **Left Leg (2)** as shown.

Insert 2 pieces of **Short Bolt (A)** from outside of **Left Leg (2)** into the pre-drilled holes on the end of **Rails (4)**.

Repeat the same steps for **Right Legs (3)**.

Use **Allen Wrench (C)** to tighten **Short Bolts (A)** clockwise until secure.



Hardware & Tool required

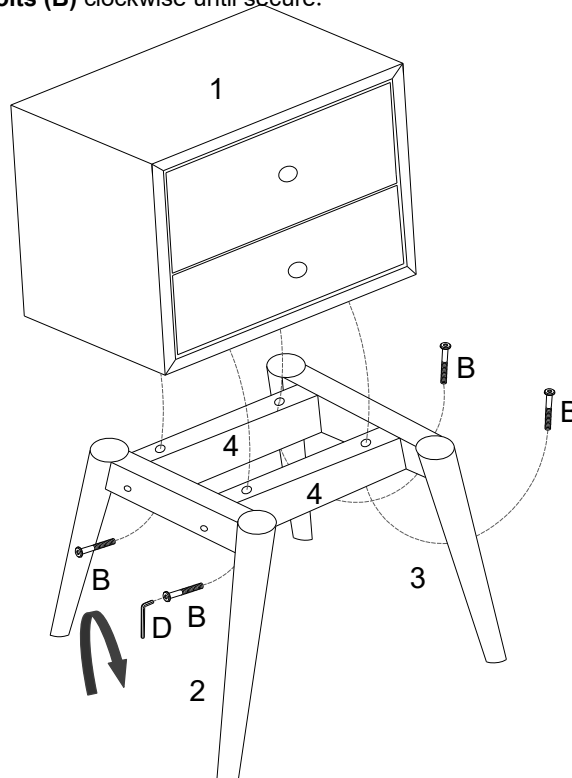
STEP 2:

Position **Side Table Body (1)** to the assembled **Legs (2&3)** and **Rails (4)**.

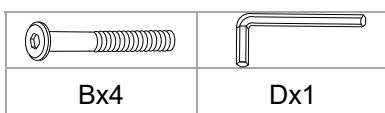
Align the corresponding pre-drilled holes on **Rails (4)** and the bottom of **Side Table Body (1)** as shown.

Attach by using 4 pieces of **Long Bolt (B)**.

Use **Allen Wrench (D)** to tighten **Long Bolts (B)** clockwise until secure.



Assembly is completed. Your side table is ready to enjoy now!



Hardware & Tool required