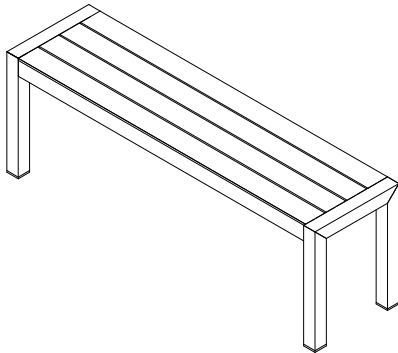



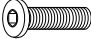

Thank you for purchasing the **MODWAY BENCH!**

Before you start, here is some helpful advice:

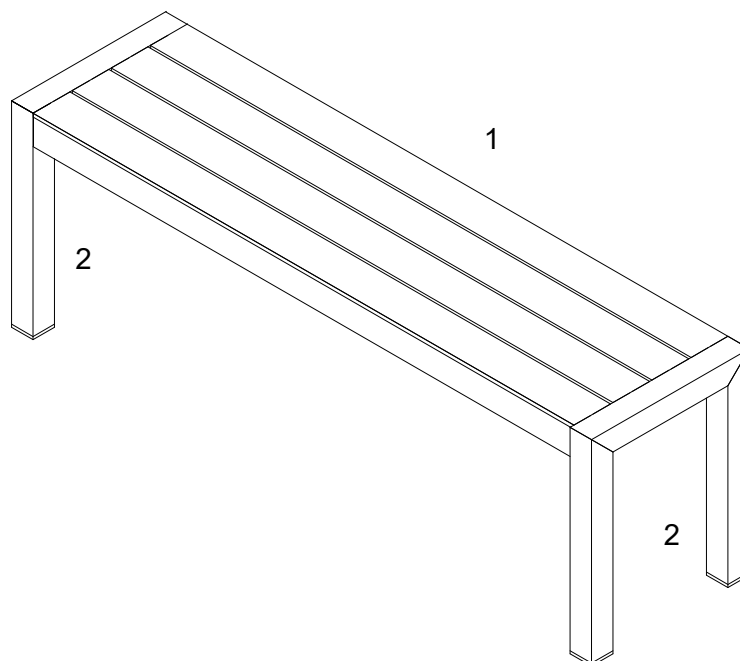
1. We suggest you spend a short time reading through this leaflet and then follow the simple step by step instructions.
2. Owing to the size and weight of the bench, we recommend that it is assembled by two adults, on a carpeted or padded area, in the room that it is intended for. Approx assembly time: 30 minutes.
3. Please do not use any tools other than those provided or recommended in these instructions.
4. Please do not throw away any of the packaging or the instruction until you have checked all the components and hardware and the furniture is fully assembled. Please ensure that the packaging is disposed of in a safe environmentally friendly way.
5. Assemble all components loosely until advised to tighten. Depending on use, it may be necessary to tighten the components from time to time, so please save the tools that has been provided.
6. Please keep all fitting out of reach of children.



Hardware:

A		Bolt M6x20mm	x4
B		Bolt M6x25mm	x4
C		Allen Wrench M4	x1

Component:



1 Bench Top x1

2 Leg x2

STEP 1:

Please put the **Bench Top (1)** upside down on a carpeted or padded area.

Remove the plastic covers which pre-install in the end of the **Bench Top (1)** by using **Allen Wrench (C)**.

Insert 1 piece of **Leg (2)** into **Bench Top (1)** as shown.

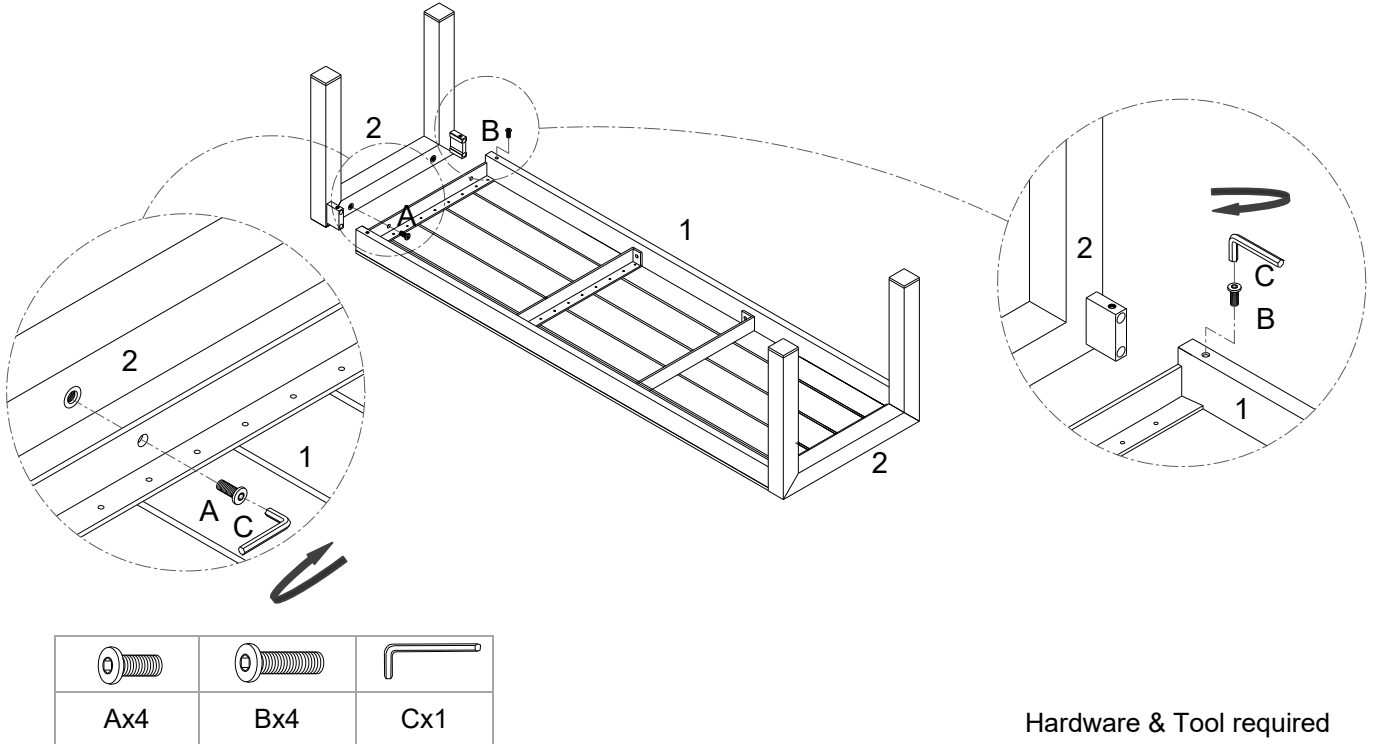
Insert 2 pieces of **Bolt (B)** from the pre-drilled holes on the bottom of the **Bench Top (1)** into each side on the bottom of **Leg (2)**.

Insert 2 pieces of **Bolt (A)** from the pre-drilled holes on the side rail of the **Bench Top (1)** into each end of **Leg (2)** as shown.

Do not fully tighten **Bolts (A&B)** at this step.

Repeat the same steps for the remaining 1 piece of **Leg (2)**.

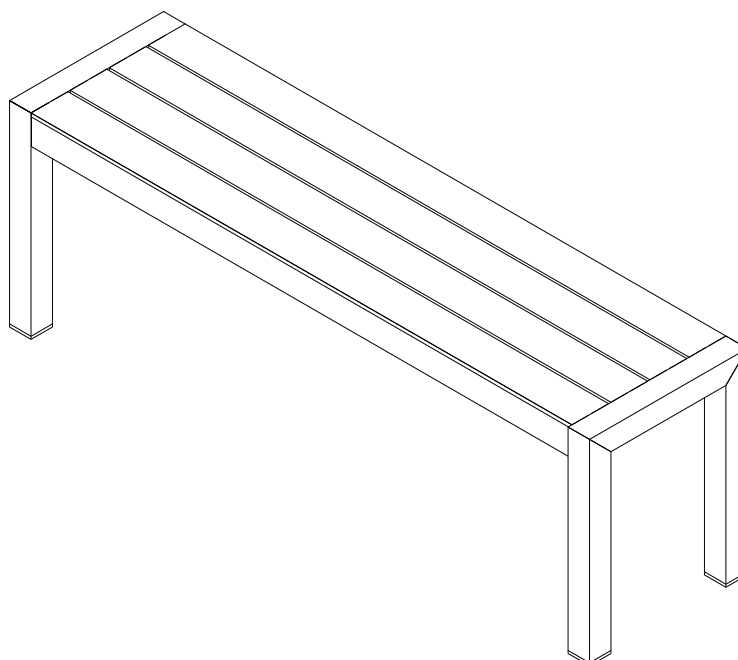
Use **Allen Wrench (C)** to tighten all **Bolts (A&B)** clockwise until secure.



Hardware & Tool required

STEP 2:

Carefully turn over the assembled bench.



Assembly is completed. The bench is ready to enjoy now!