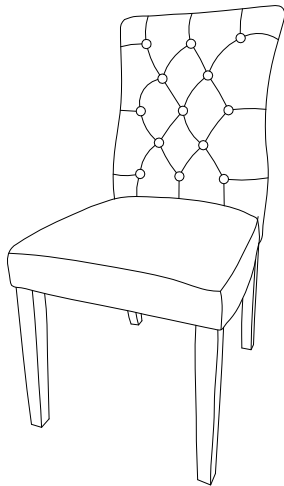








Thank you for purchasing the **MODWAY CHAIR!**

Before you start, here is some helpful advice:

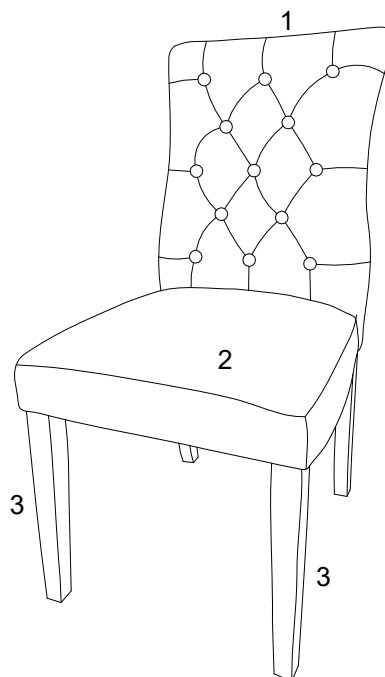
1. We suggest you spend a short time reading through this leaflet and then follow the simple step by step instructions.
2. Owing to the size and weight of the chair, we recommend that it is assembled by two adults, on a carpeted or padded area, in the room that it is intended for. Approximate assembly time: 30 minutes.
3. Please do not use any tools other than those provided or recommended in these instructions.
4. Please do not throw away any of the packaging or instructions until you have checked all the components and hardware and the furniture is fully assembled.
5. Assemble all components loosely until advised to tighten. Depending on use, it may be necessary to tighten the components from time to time, so please save the tools that have been provided.
6. Please keep all pieces out of reach of small children.



### Hardware:

A		Bolt M8x57mm	x 6
B		Bolt M8x90mm	x 4
C		Spring Washer M8	x 10
D		Flat Washer M8	x 10
E		Allen Wrench	x 1
F		Dowel ø10x40mm	x 1

### Component:



1 Chair Back x1

2 Seat Frame x1

3 Front Leg x2

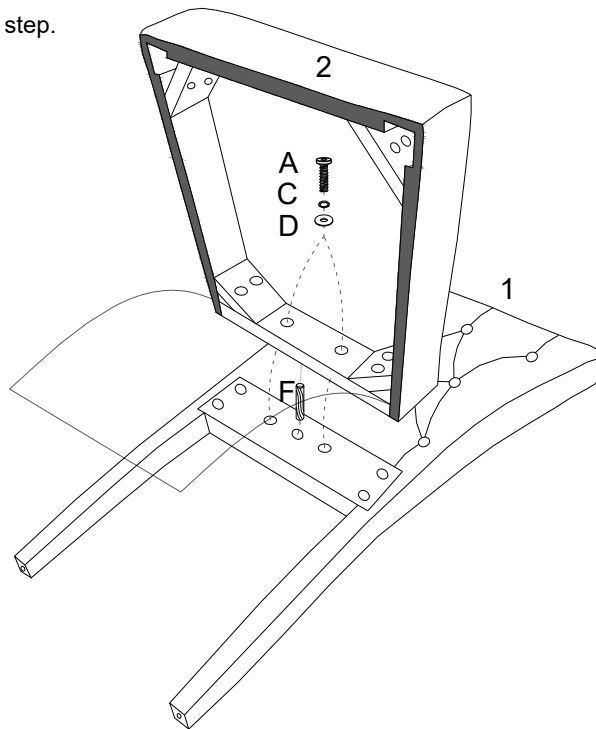
## STEP 1:





Please put **Chair Back (1)** upside down on a carpeted or padded area.

Then open the Velcro on the bottom of **Seat Frame (2)**, the inside of the **Seat Frame(2)** will now be visible.

Attach **Seat Frame (2)** to **Chair Back(1)** by using 2 pieces of **Bolt (A)**, 2 pieces of **Spring Washer (B)** and 2 pieces of **Flat Washer (C)** and 1 piece of **Dowel (F)** as shown.

Do not fully tighten **Bolt (A)** at this step.



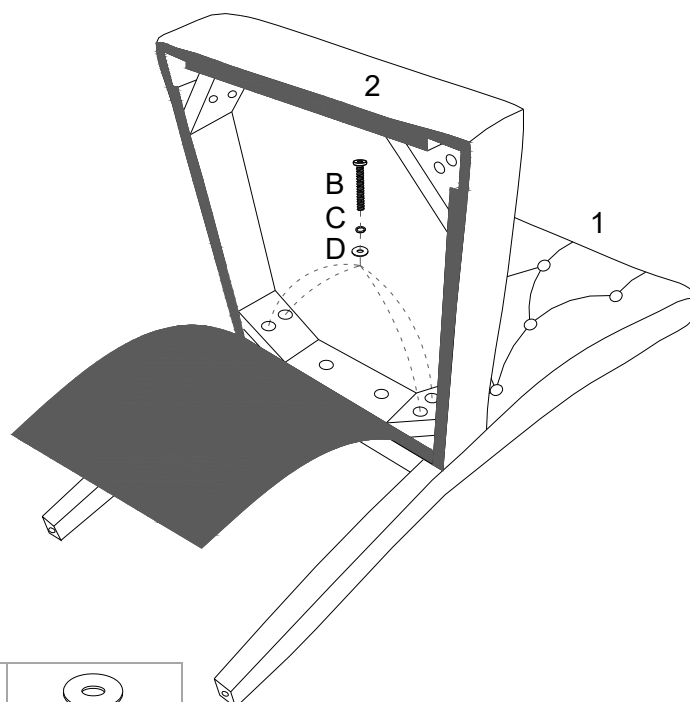
			
Ax2	Cx2	Dx2	Fx1

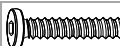


Hardware & Tool required

## STEP 2:

Insert 4 pieces of **Bolt (B)**, 4 pieces of **Spring Washer (B)** and 4 pieces of **Flat Washer (C)** from the holes at the corner of **Seat Frame (2)** into the **Chair Back (1)** as shown.

Do not fully tighten **Bolt (B)** at this step.



		
Bx4	Cx4	Dx4

Hardware & Tool required

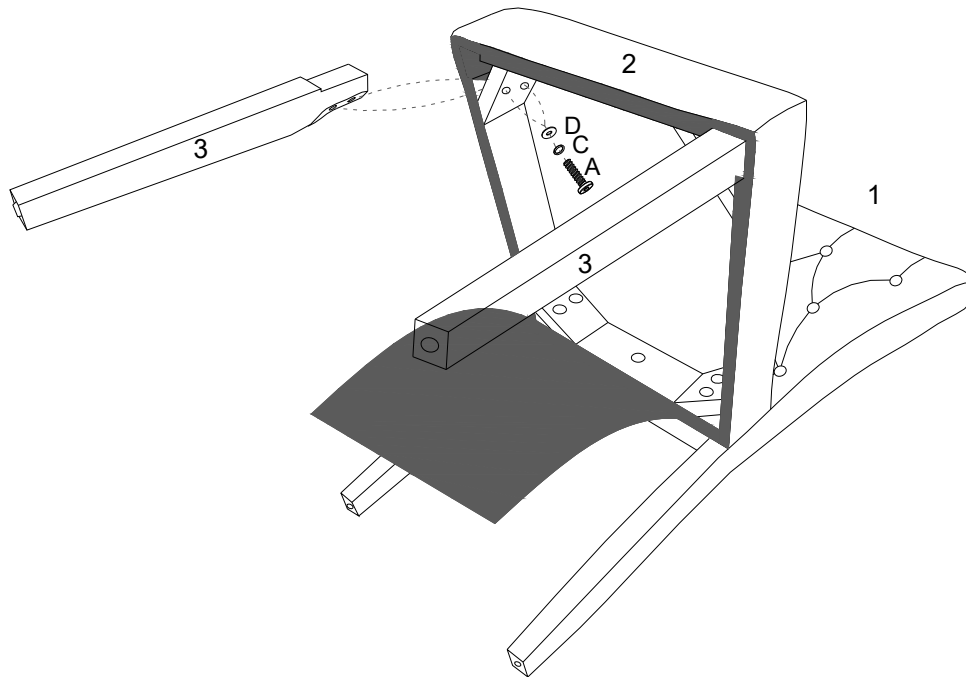
### STEP 3:




Insert 1 piece of **Front Leg (3)** into the bottom of **Seat Frame (2)** as shown.

Attach by 2 pieces of **Bolt (A)**, 2 pieces of **Spring Washer (C)** and 2 piece of **Flat Washer (D)** as shown.

Repeat the same steps for **Front Leg (3)**.

Do not fully tighten **Bolts (A)** for either leg.



		
Ax4	Cx4	Dx4

Hardware & Tool required

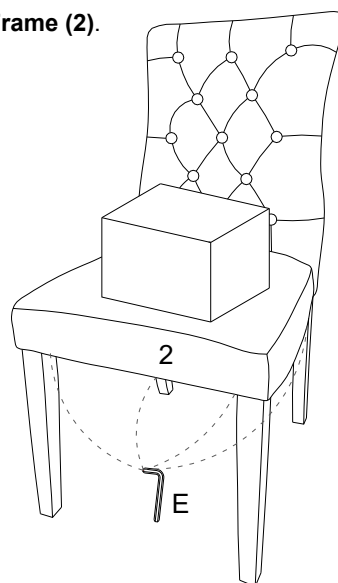
### STEP 4:

Carefully turn over the chair.

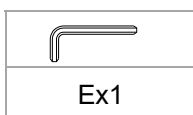
Please put a heavy object or seat one adult on top of the **Seat Frame (2)** to pressure the chair for leveling.

Fully tighten all **Bolts (A&B)** with **Allen Wrench (E)**.

Recover the Velcro on the bottom of **Seat Frame (2)**.



Assembly is completed. The chair is ready to use now!



Hardware & Tool required