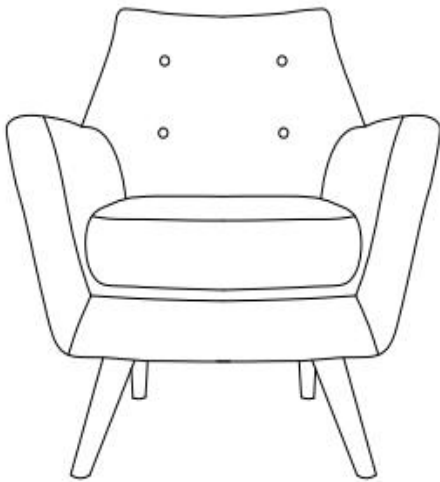


EEI-2136 CHAIR

Thank you for purchasing the **MODWAY CHAIR!**

Before you start, here are some helpful advice:

1. We suggest you spend a short time reading through this leaflet and then follow the simple step-by step instructions.
2. Owing to the size and weight of the sofa, we recommend that it is assembled by two adults on a carpeted or padded area, in the room that it is intended for. Approximate time: 30 minutes.
3. Please do not use any tools other than those provided or recommended in these instructions.
4. Please do not throw away any of the packaging or instructions until you have checked all the components and hardware and the furniture is fully assembled.
5. Assemble all components loosely until advised to tighten. Depending on use, it may be necessary to tighten the component from time to time, so please save the tools that have been provided.
6. Please keep all pieces out of reach of children.

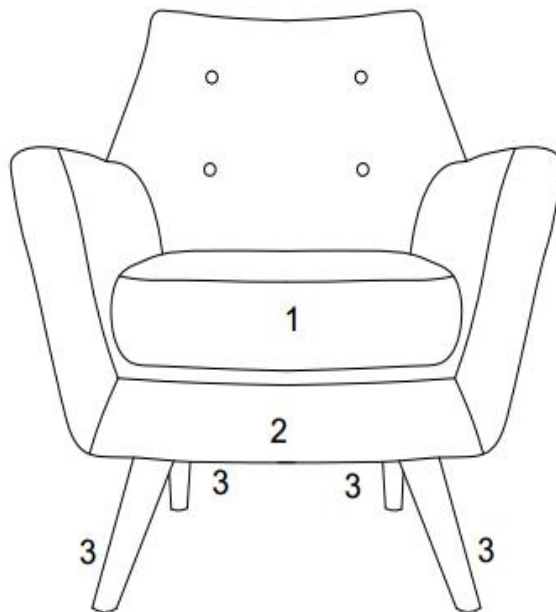


Hardware:

A  Bolt (M6*H10mm)x16

B  Allen Wrench x1

Components:



1. Seat Cushion x1

2. Chair Body x1

3. Leg x4

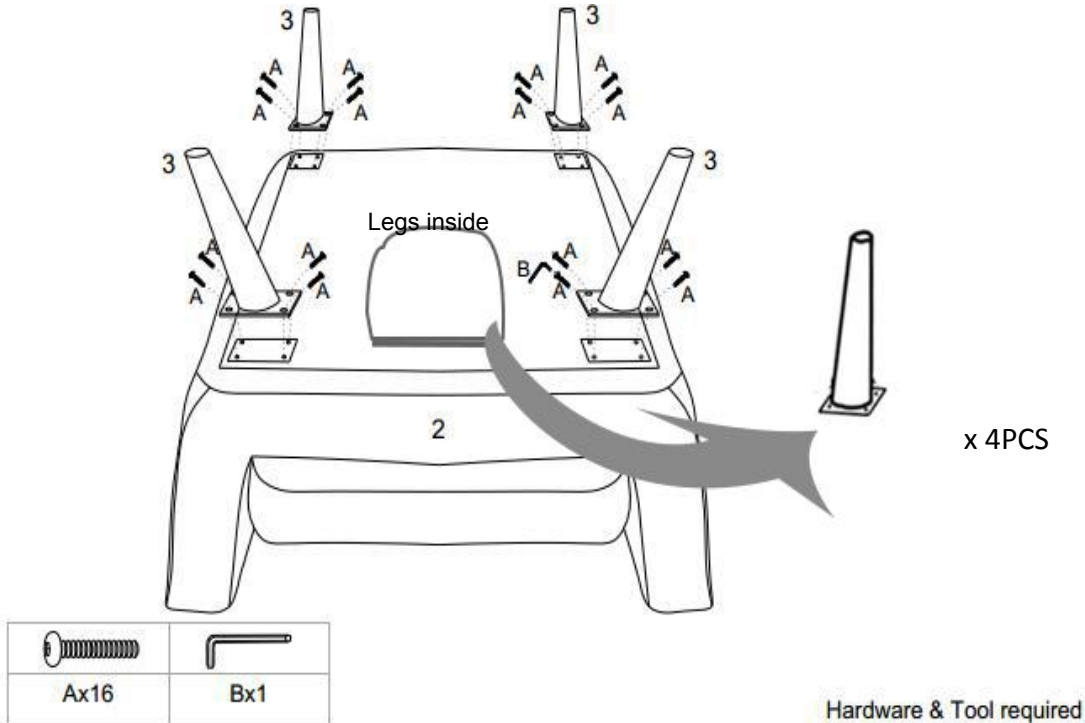
EEI-2136 CHAIR

STEP 1:

Please put the **Chair Body (2)** upside down on a carpeted or padded area. Open the Zipper on the bottom of **Chair Body (2)** as shown, take out the packages of 4 pieces of **Legs (3)**, then close the Zipper on the bottom of **Chair Body (2)**.

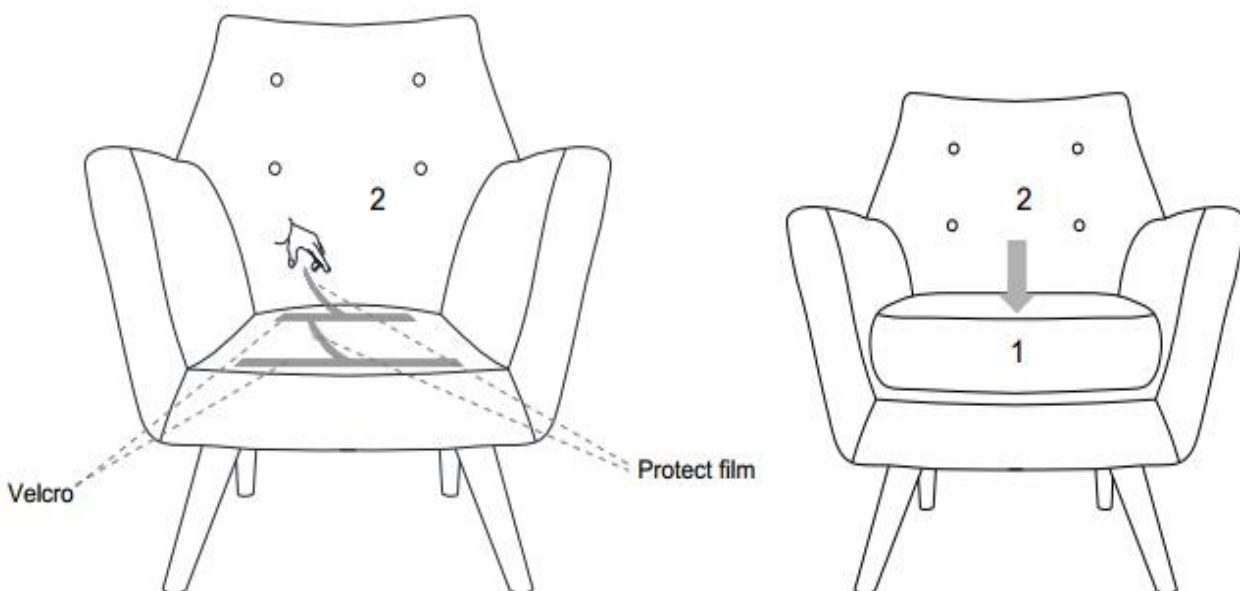
Attach 1 piece of **Leg (3)** into the bottom of **Chair Body (2)** by using 4 pieces of **Bolts (A)** through the holes on the bottom of **Chair Body (2)**, Use **Allen Wrench (B)** to tighten the **Bolts (A)** clockwise until secure.

Repeat the same steps for the other 3 pieces of **Legs (3)**.



STEP 2:

Carefully turn over the **Chair Body (2)**, tear off the Protect film attached onto the Velcro at first. Then place the **Seat Cushion (1)** to the assembled **Chair Body (2)** as shown. Attach them by using Velcro.



Assembly is complete. The Chair is ready to enjoy now!