

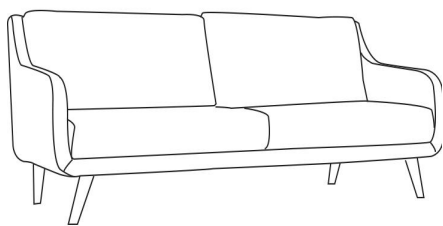
# EEI-2128/2129 CHAIR/SOFA



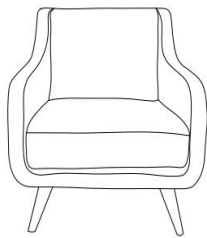
Thank you for purchasing the **MODWAY CHAIR/SOFA!**

Before you start, here are some helpful advice:

1. We suggest you spend a short time reading through this leaflet and then follow the simple step-by step instructions
2. Owing to the size and weight of the sofa, we recommend that it is assembled by two adults on a carpeted or padded area, in the room that it is intended for. Approximate time: 30 minutes.
3. Please do not use any tools other than those provided or recommended in these instructions.
4. Please do not throw away any of the packaging or instructions until you have checked all the components and hardware and the furniture is fully assembled.
5. Assemble all components loosely until advised to tighten. Depending on use, it may be necessary to tighten the component from time to time, so please save the tools that have been provided.
6. Please keep all pieces out of reach of children.



EEI-2129 Sofa



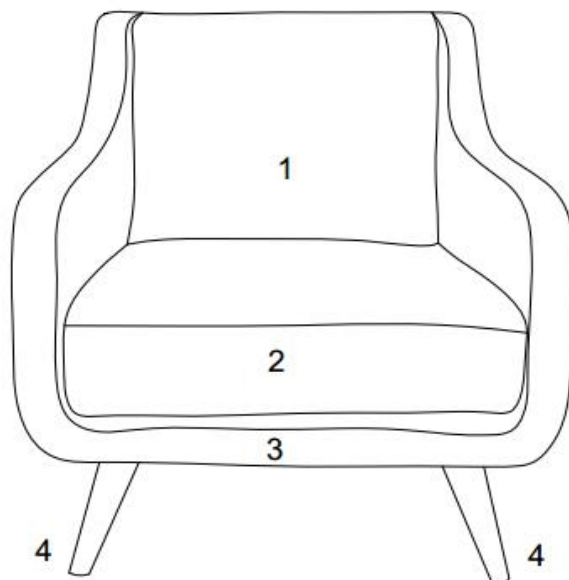
EEI-2128 Chair

## Hardware:

A  Bolt (M6\*H10mm)x16

B  Allen Wrench x1

## Components:



1. Back Cushion x1 (2pcs for Sofa, 1pc for chair only)
2. Seat Cushion x1(2pcs for Sofa, 1pc for chair only)
3. Chair Body x1
4. Leg x4

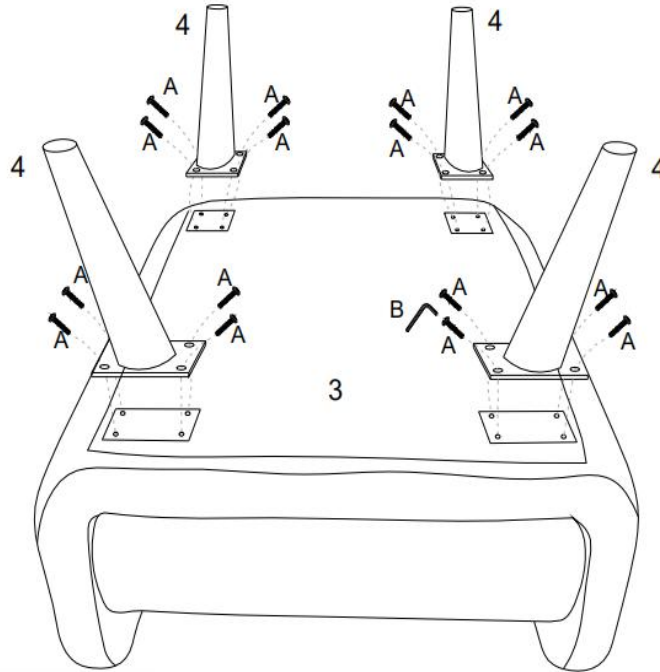
# EEI-2128/2129 CHAIR/SOFA



## STEP 1:

Please find the package of **Legs (4)** and hardware on the top of seat. Then put the **Chair Body (3)** upside down on a carpeted or padded area by two adults to make the corners fully visible.

Attach 1 piece of **Leg (4)** into the bottom of **Chair Body (3)** by using 4 pieces of **Bolts (A)** through the holes on the bottom of **Chair Body (3)**, Use **Allen Wrench (B)** to tighten the **Bolts (A)** clockwise until secure.

Repeat the same steps for the other 3 pieces of **Leg (4)**.

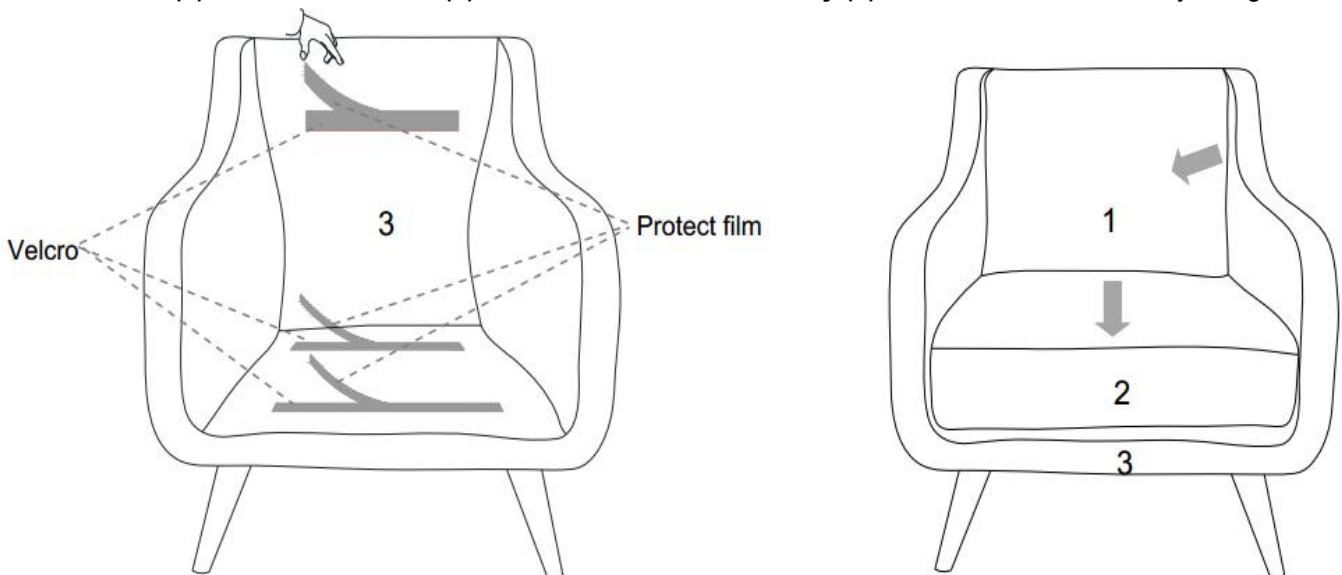


	
Ax16	Bx1

Hardware & Tool required

## STEP 2:

Carefully turn over the **Chair Body (3)**, tear off the Protect film which attach onto the Velcro at first. Then place the **Back Cushion (1)** and **Seat Cushion (2)** to the assembled **Chair Body (3)** as shown. Attach them by using Velcro.



Assembly is complete. The Chair is ready to enjoy now!