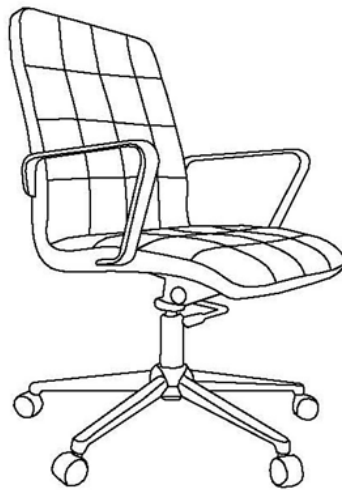


Thank you for purchasing the **MODWAY OFFICE CHAIR!**

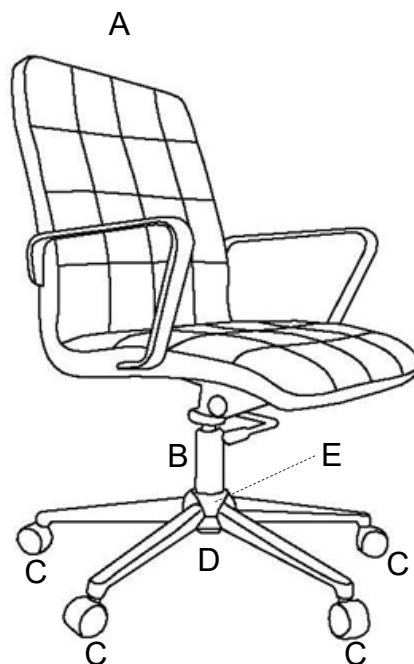
Before you start, here is some helpful advice:

1. We suggest you spend a short time reading through this leaflet and then follow the simple step by step instructions.
2. Owing to the size and weight of the office chair, we recommend that it is assembled by two adults, on a carpeted or padded area, in the room that it is intended for. Approximate assembly time: 15 minutes.
3. Please do not use any tools other than those provided or recommended in these instructions.
4. Please do not throw away any of the packaging or instructions until you have checked all the components and hardware and the furniture is fully assembled.
5. Assemble all components loosely until advised to tighten. Depending on use, it may be necessary to tighten the components from time to time, so please save the tools that have been provided.
6. Please keep all pieces out of reach of small children.



No Hardware & Tool required for this Chair

## Component:



A Chair Body x1

B Cylinder x1

C Caster x5

D Chair Base x1

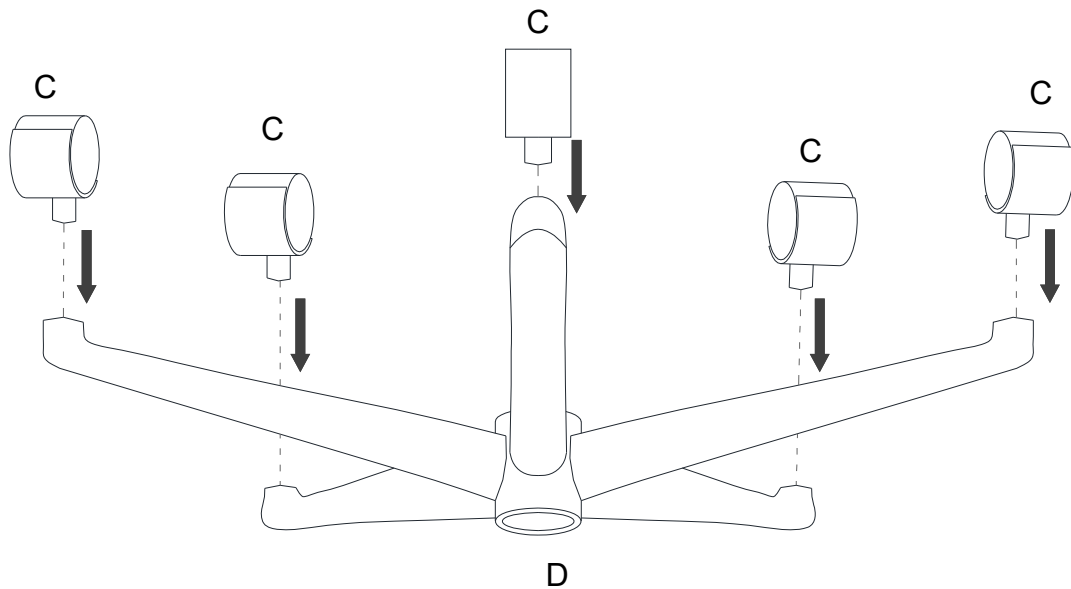
E Decoration Cover x1

## STEP 1:

Please put the **Chair Base (D)** on a carpeted or padded surface.

Insert 1pc of **Castor (C)** into the **Chair Base (D)** as shown by hand.

Repeat the same steps for the remaining 4pcs of **Castor (C)**.

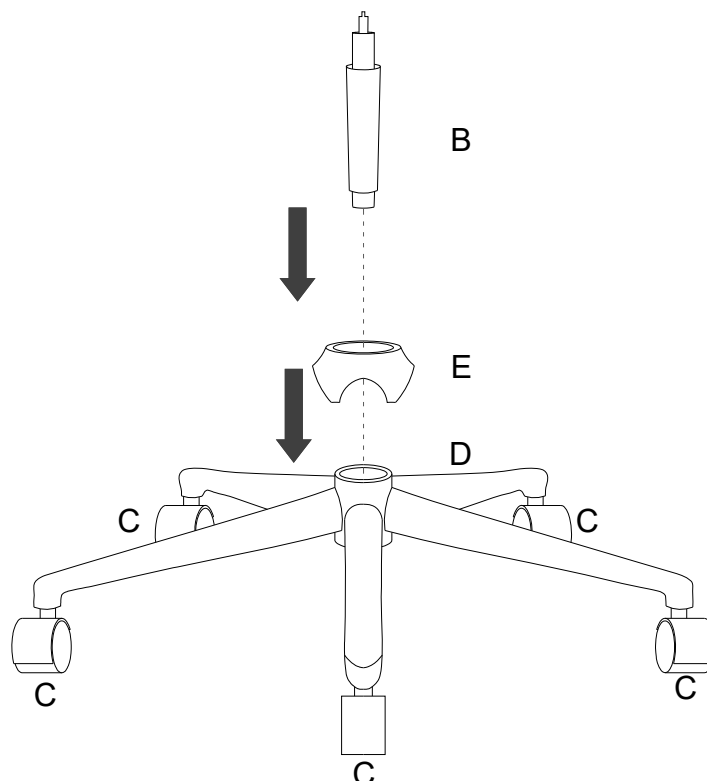


## STEP 2:

Flip the assembled **Chair Base (D)** with **Castors (C)** on the floor.

Insert **Decoration Cover (E)** into the assembled **Chair Base (D)** as shown.

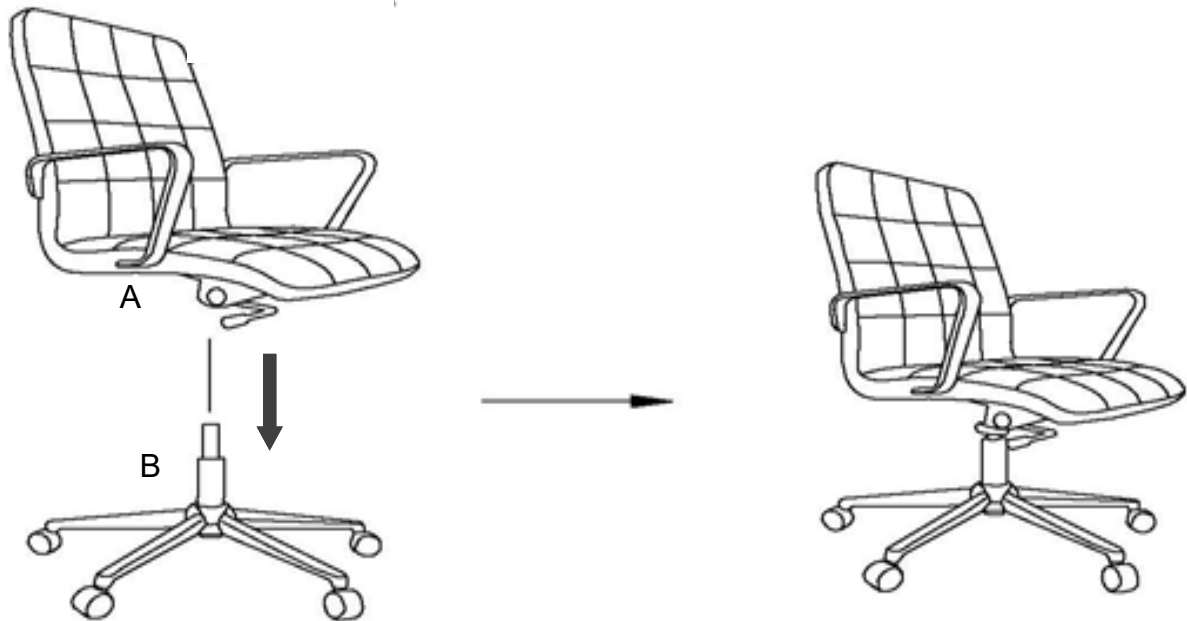
Insert the bottom end of **Cylinder (B)** into the assembled **Decoration Cover (E)** and **Chair Base (D)** as shown.



## STEP 3:

Carefully take out **Chair Body (A)**.

Line up the hole on the bottom of **Chair Body (A)** with the top end of **Cylinder (B)**, drop the **Chair Body (A)** onto the **Cylinder (B)** naturally. Rotate a few times to test security.



Assembly is complete. The office chair is ready to be enjoyed now!