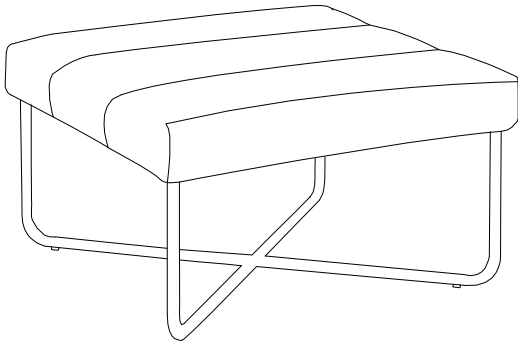
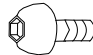
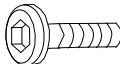



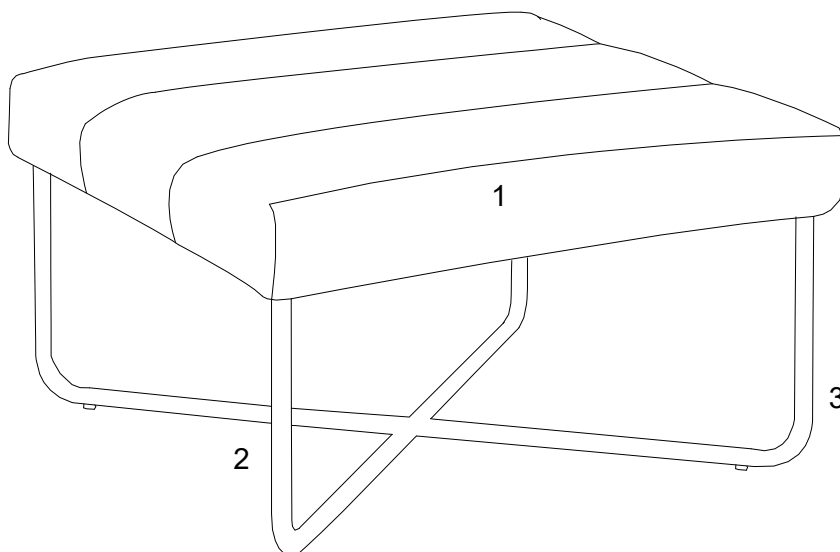
Thank you for purchasing the **MODWAY OTTOMAN**!

Before you start, here is some helpful advice:

1. We suggest you spend a short time reading through this leaflet and then follow the simple step by step instructions.
2. Owing to the size and weight of the bench, we recommend that it is assembled by two adults, on a carpeted or padded area, in the room that it is intended for. Approx assembly time: 30 minutes.
3. Please do not use any tools other than those provided or recommended in these instructions.
4. Please do not throw away any of the packaging or the instruction until you have checked all the components and hardware and the furniture is fully assembled. Please ensure that the packaging is disposed of in a safe environmentally friendly way.
5. Assemble all components loosely until advised to tighten. Depending on use, it may be necessary to tighten the components from time to time, so please save the tools that has been provided.
6. Please keep all fitting out of reach of children.

**Hardware:**

A		Bolt M6x12mm	x4
B		Bolt M6x20mm	x1
C		Allen Wrench M4	x1

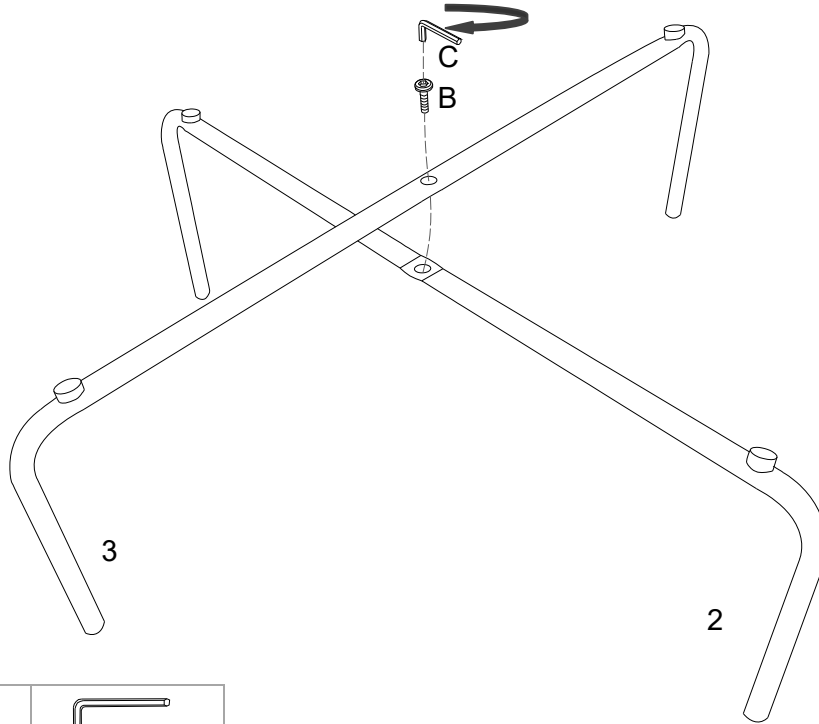
Component:

STEP 1:

Please put **Legs (2&3)** on a carpeted or padded area as shown.

Attach **Leg (3)** to **Leg (2)** by using 1 piece of **Bolt (B)** as shown

Use **Allen Wrench (C)** to tighten **Bolt (B)**, do not fully tighten **Bolt (B)** at this step.



Bx1	Cx1

Hardware & Tool required

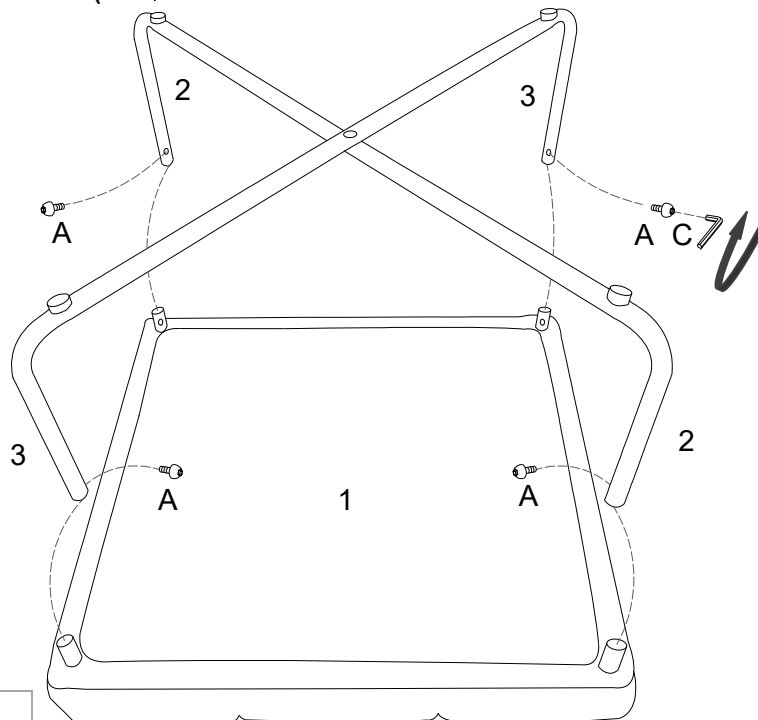
STEP 2:

Please put **Ottoman Body (1)** upside down on a carpeted or padded area.

Insert the each end of assembled **Legs (2&3)** into the pre-installed post at the corner of the bottom of **Ottoman Body (1)**.

Attach by using 4 pieces of **Bolt (A)** as shown.

Use **Allen Wrench (C)** to tighten all **Bolts (A&B)** clockwise until secure.

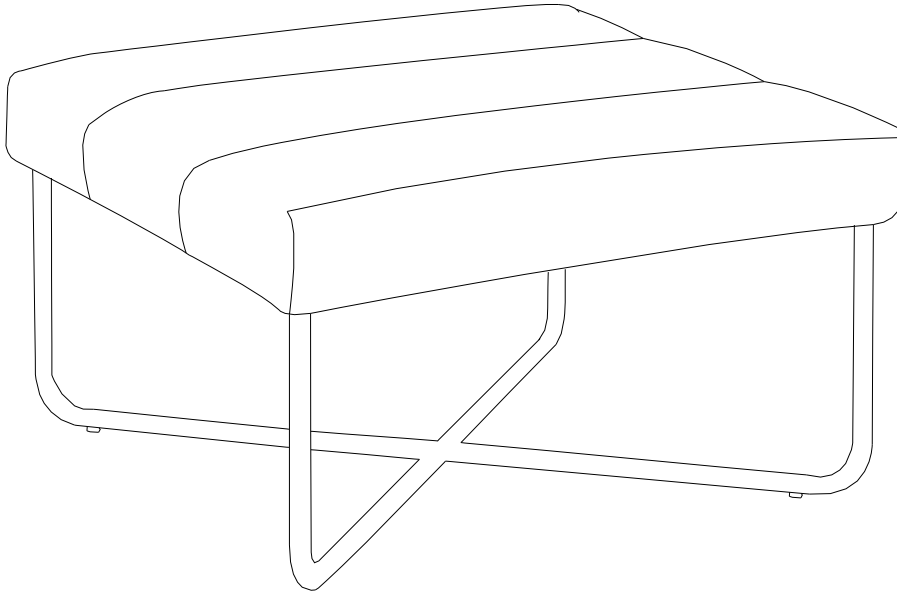


Ax4	Cx1

Hardware & Tool required

STEP 3:

Carefully turn over the assembled ottoman.



Assembly is completed. The ottoman is ready to enjoy now!