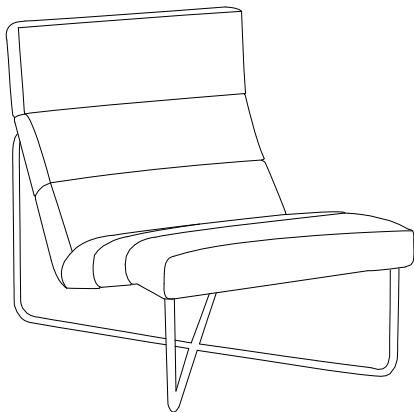


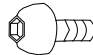
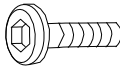

Thank you for purchasing the **MODWAY CASUAL CHAIR!**

Before you start, here is some helpful advice:

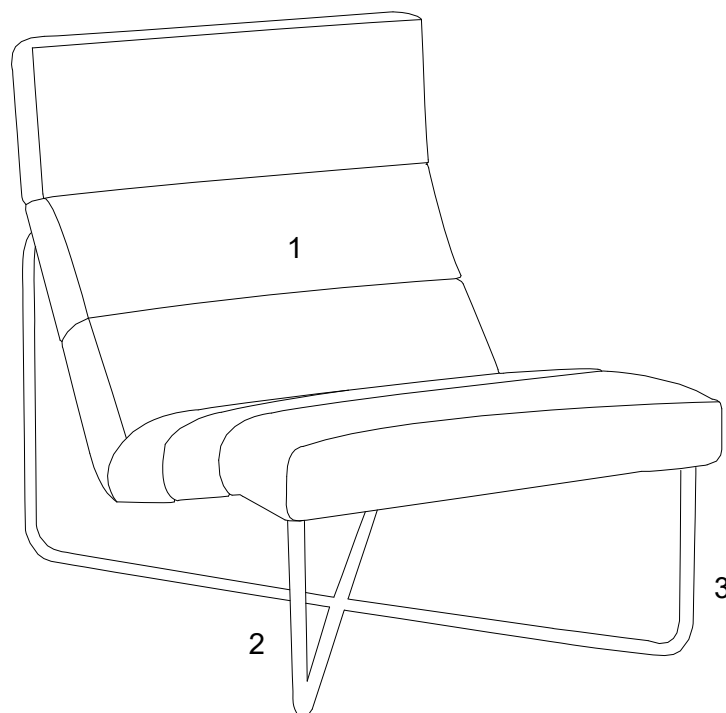
1. We suggest you spend a short time reading through this leaflet and then follow the simple step by step instructions.
2. Owing to the size and weight of the bench, we recommend that it is assembled by two adults, on a carpeted or padded area, in the room that it is intended for. Approx assembly time: 30 minutes.
3. Please do not use any tools other than those provided or recommended in these instructions.
4. Please do not throw away any of the packaging or the instruction until you have checked all the components and hardware and the furniture is fully assembled. Please ensure that the packaging is disposed of in a safe environmentally friendly way.
5. Assemble all components loosely until advised to tighten. Depending on use, it may be necessary to tighten the components from time to time, so please save the tools that has been provided.
6. Please keep all fitting out of reach of children.



Hardware:

- | | | | |
|---|--|-----------------|----|
| A |  | Bolt M6x12mm | x4 |
| B |  | Bolt M6x20mm | x1 |
| C |  | Allen Wrench M4 | x1 |

Component:



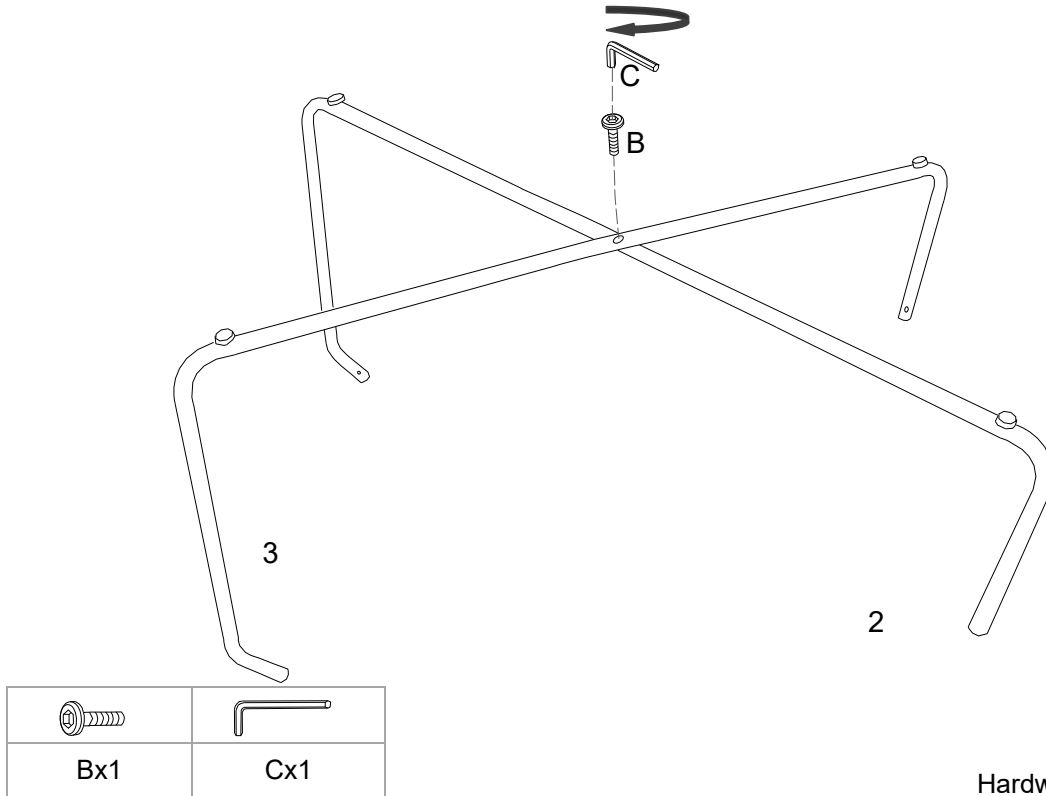
1	Chair Body	x1	2	Leg	x1	3	Leg	x1
---	------------	----	---	-----	----	---	-----	----

STEP 1:

Please put **Legs (2&3)** on a carpeted or padded area as shown.

Attach **Leg (3)** to **Leg (2)** by using 1 piece of **Bolt (B)** as shown

Use **Allen Wrench (C)** to tighten **Bolt (B)**, do not fully tighten **Bolt (B)** at this step.



Hardware & Tool required

STEP 2:

Please put **Ottoman Body (1)** upside down on a carpeted or padded area.

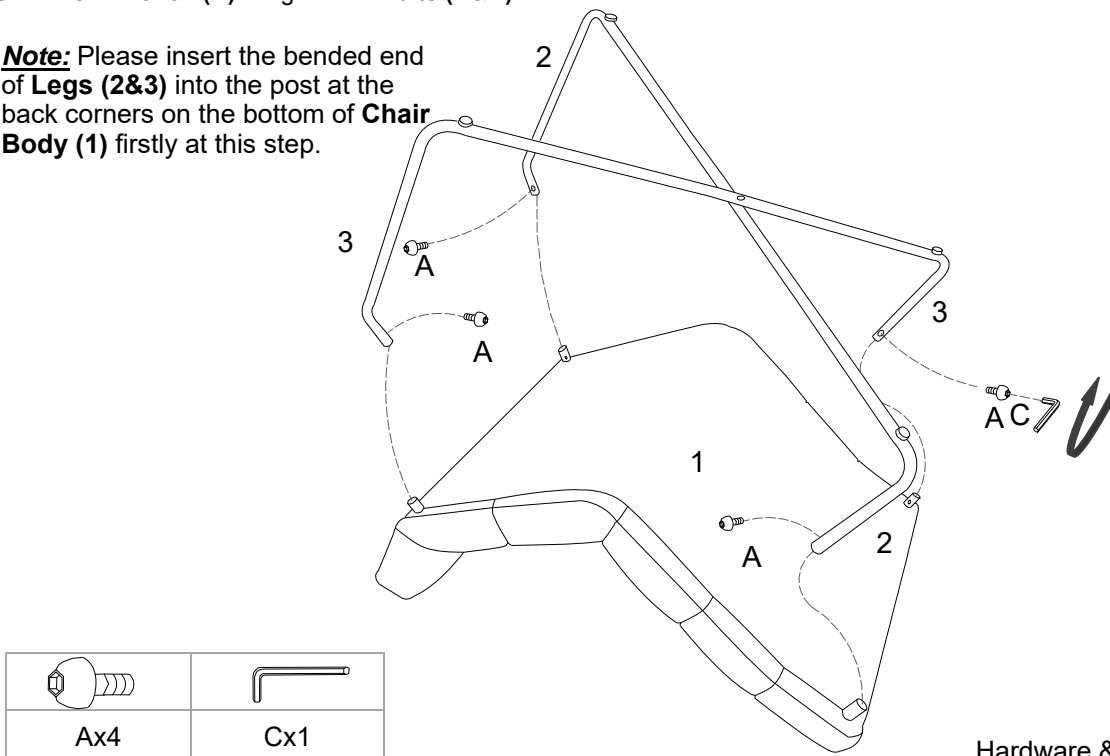
Insert the bended end of assembled **Legs (2&3)** into the pre-installed post at the back corner of the bottom of **Chair Body (1)**.

Insert the straight end of assembled **Legs (2&3)** into the pre-installed post at the front corner of the bottom of **Chair Body (1)**.

Attach by using 4 pieces of **Bolt (A)** as shown.

Use **Allen Wrench (C)** to tighten all **Bolts (A&B)** clockwise until secure.

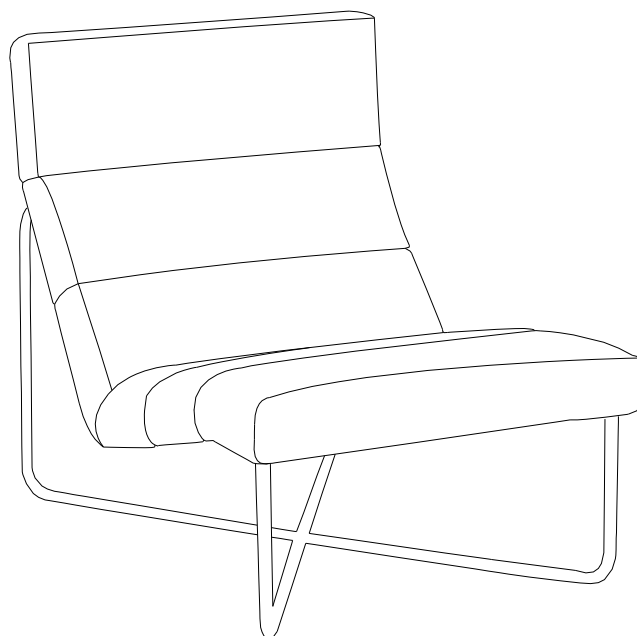
Note: Please insert the bended end of **Legs (2&3)** into the post at the back corners on the bottom of **Chair Body (1)** firstly at this step.



Hardware & Tool required

STEP 3:

Carefully turn over the assembled chair.



Assembly is completed. The chair is ready to enjoy now!