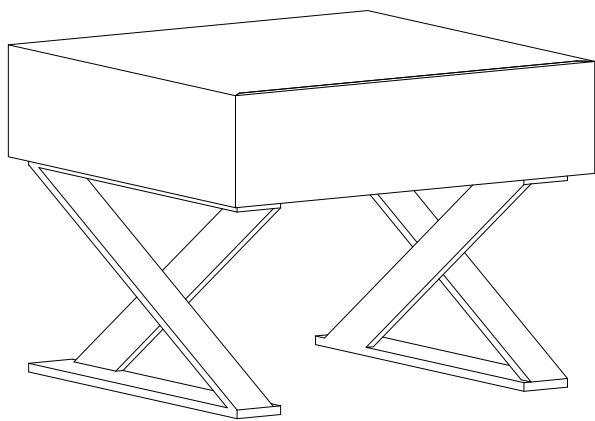


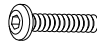


Thank you for purchasing the **MODWAY DESK!**

Before you start, here is some helpful advice:

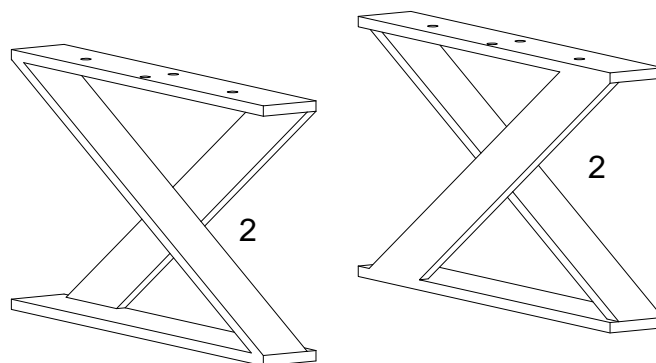
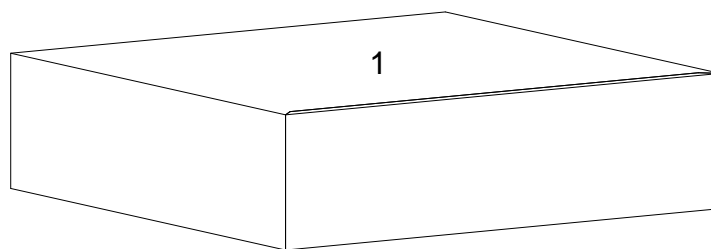
1. We suggest you spend a short time reading through this leaflet and then follow the simple step by step instructions.
2. Owing to the size and weight of the desk, we recommend that it is assembled by two adults, on a carpeted or padded area, in the room that it is intended for. Approximate assembly time: 30 minutes.
3. Please do not use any tools other than those provided or recommended in these instructions.
4. Please do not throw away any of the packaging or instructions until you have checked all the components and hardware and the furniture is fully assembled.
5. Assemble all components loosely until advised to tighten. Depending on use, it may be necessary to tighten the components from time to time, so please save the tools that have been provided.
6. Please keep all pieces out of reach of small children.



Hardware:

A		Bolt M6x25mm	x8
B		Flat Washer M6	x8
C		Allen Wrench	x1

Component:



1 Desk Top x1

2 Desk Leg x2

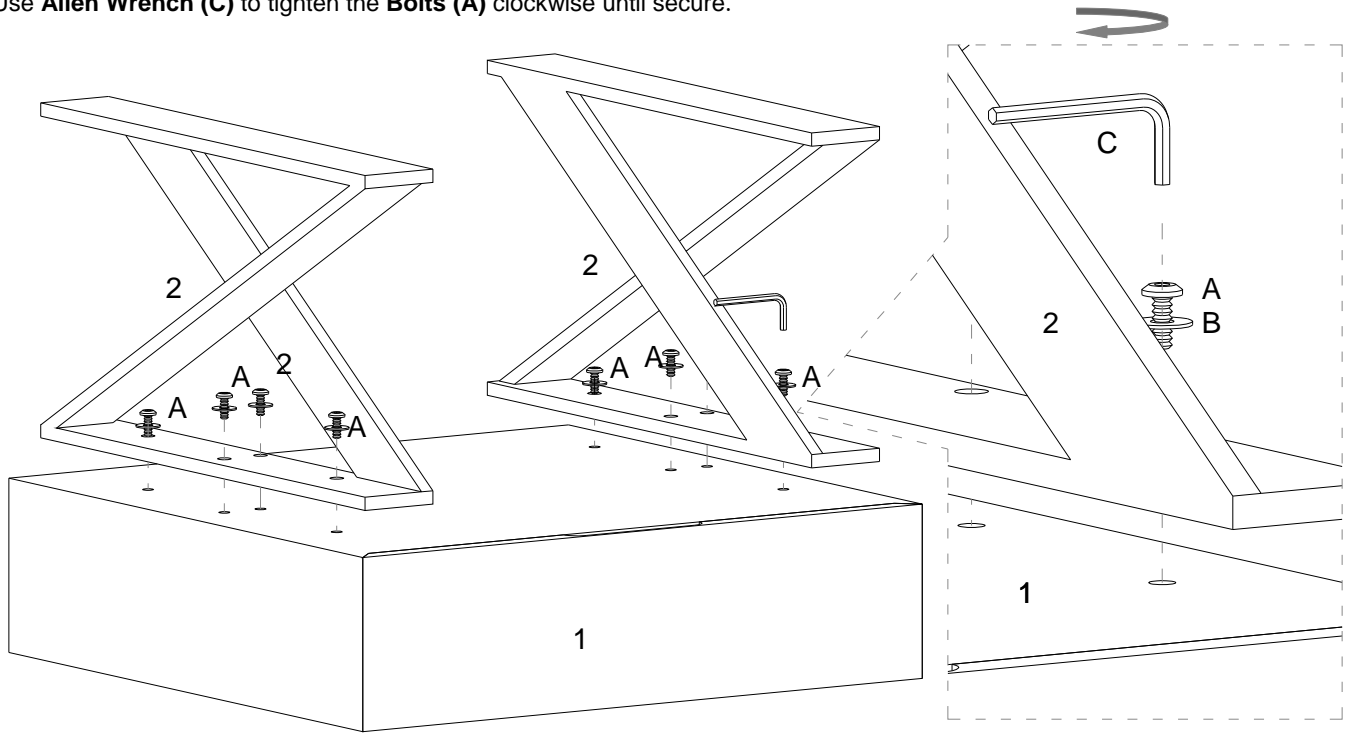
STEP 1:




Please put the **Desk Top (1)** upside down on a carpeted or padded surface.

Attach one piece of **Desk Leg (2)** into the bottom of **Desk Top (1)** by using 1 piece of **Long Bolt (A)** and 4 pieces of **Short Bolt (B)** and 5 pieces of **Flat Washers (B)** as shown.

Repeat the same step for the remaining **Desk Leg (2)**.

Use **Allen Wrench (C)** to tighten the **Bolts (A)** clockwise until secure.

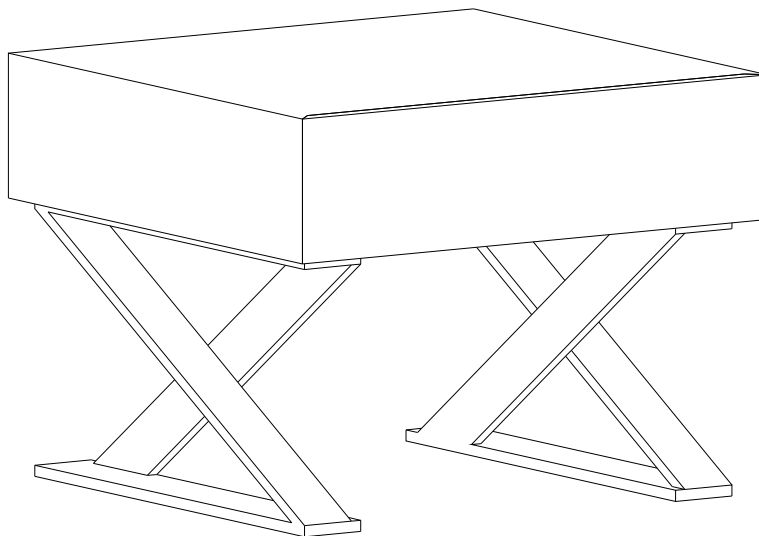


		
Ax8	Bx8	Cx1

Hardware & Tool required

STEP 2:

Carefully turn over the desk.



Assembly is completed. The desk is ready to enjoy now!